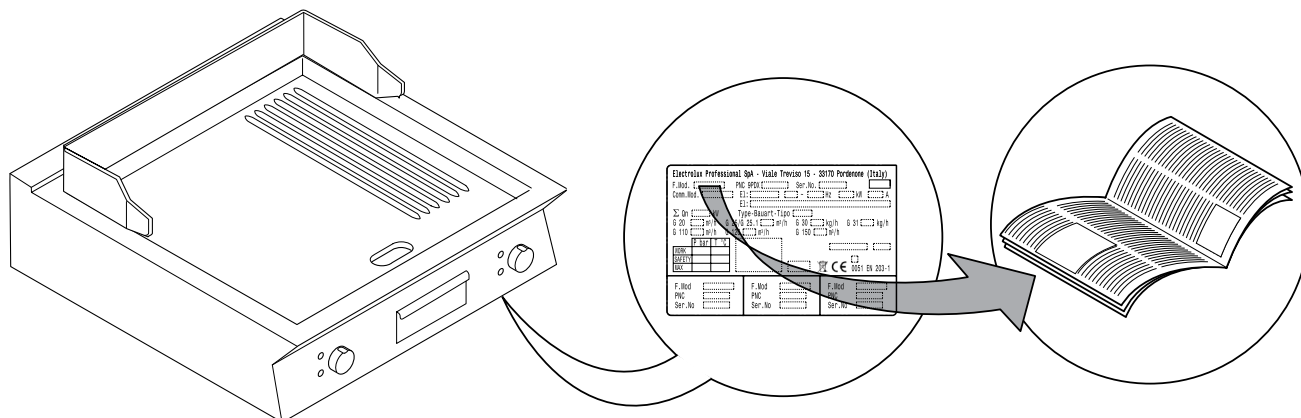


CONTENTS

I. IMAGES	2
II. DATAPLATE and TECHNICAL DATA.....	16
III. GENERAL INSTRUCTIONS.....	18
IV. THE ENVIRONMENT.....	20
1. PACKING.....	20
2. USE	20
3. CLEANING.....	20
4. DISPOSAL	20
V. INSTALLATION.....	20
1. REFERENCE STANDARDS.....	20
2. UNPACKING.....	20
3. POSITIONING.....	20
4. FUME EXHAUST	21
5. CONNECTIONS.....	22
6. SAFETY THERMOSTAT.....	23
7. BEFORE COMPLETING INSTALLATION OPERATIONS.....	23
VI. INSTRUCTIONS FOR THE USER.....	24
1. FRYTOP USE.....	24
VII. CLEANING	26
1. EXTERNAL PARTS.....	26
2. OTHER SURFACES.....	26
3. IDLE PERIODS	26
4. INTERNAL PARTS	26
VIII. MAINTENANCE.....	27
1. MAINTENANCE	27

II. DATAPLATE AND TECHNICAL DATA



ATTENTION

This manual contains instructions relevant to various appliances. See the dataplate located under the control panel to identify the appliance (see fig. above).

TABLE A - Gas appliance technical data								
MODELS		+9FTGDHS00 +9FTGDSR00 400mm	+9FTGHHS00 +9FTGHSP00 +9FTGHSP0W 800mm	+9FTGHSPG0 800mm	+9FTGDCS00 400mm	+9FTGHCS00 +9FTGHCP00 800mm	+9FTGHSPV0 800mm	
TECHNICAL DATA								
ISO 7/1 connection - BP/S connection	Ø	1/2"	1/2"	1/2"	1/2"	1/2"	1/2"	
Nominal heat output	Kw	10	20	20+8,5 (oven)	10	20	20+10,5 (oven)	
Type of construction		A1	A1	A1	A1	A1	A1	

TABLE A - Electrical appliance technical data								
MODELS		+9FTEDHS00 +9FTEDSR00 400mm	+9FTEHHS00 +9FTEHSP00 800mm	+9FTEHSPE0 800mm	+9FTEDCS00 400mm	+9FTEHCS00 +9FTEHCP00 800mm	+9FTEDHS0N +9FTEDSR0N +9FTEDCS0N 400mm	+9FTEHHS0N +9FTEHSP0N +9FTEHCS0N +9FTEHCP0N 800mm
TECHNICAL DATA								
Power supply voltage	V	380-400	380-400	380-400	380-400	380-400	230	230
Phases	No.	3N	3N	3N	3N	3N	3	3
Frequency	Hz	50/60	50/60	50/60	50/60	50/60	50/60	50/60
Nominal max. Power	kW	7,5	15	15+6 (oven)	7,5	15	7,5	15
Power cable section	mm ²	1,5	1,5	-	2,5	2,5	2,5	6

A reproduction of the marking or dataplate on the machine is given below:

GAS

Electrolux Professional SpA - Viale Treviso 15 - 33170 Pordenone (Italy)														
F.Mod. []	PNC 9PDX []	Ser.No. []												
Comm.Mod. []	El: []	[] ~ [] Hz [] kW [] A												
El: []														
Σ Qn [] kW	Type-Bauart-Tipo []													
G 20 [] m³/h	G 25/G 25.1 [] m³/h	G 30 [] kg/h G 31 [] kg/h												
G 110 [] m³/h	G 120 [] m³/h	G 150 [] m³/h												
<table border="1"> <tr> <td></td> <td>P bar</td> <td>T °C</td> </tr> <tr> <td>WORK</td> <td></td> <td></td> </tr> <tr> <td>SAFETY</td> <td></td> <td></td> </tr> <tr> <td>MAX</td> <td></td> <td></td> </tr> </table>				P bar	T °C	WORK			SAFETY			MAX		
	P bar	T °C												
WORK														
SAFETY														
MAX														
F.Mod []	F.Mod []	F.Mod []												
PNC []	PNC []	PNC []												
Ser.No []	Ser.No []	Ser.No []												

EL.

Electrolux Professional SpA - Viale Treviso 15 - 33170 Pordenone (Italy)														
F.Mod. []	PNC 9PDX []	Ser.No. []												
Comm.Mod. []	El: []	[] ~ [] Hz [] kW [] A												
El: []														
<table border="1"> <tr> <td></td> <td>P bar</td> <td>T °C</td> </tr> <tr> <td>WORK</td> <td></td> <td></td> </tr> <tr> <td>SAFETY</td> <td></td> <td></td> </tr> <tr> <td>MAX</td> <td></td> <td></td> </tr> </table>				P bar	T °C	WORK			SAFETY			MAX		
	P bar	T °C												
WORK														
SAFETY														
MAX														
F.Mod []	F.Mod []	F.Mod []												
PNC []	PNC []	PNC []												
Ser.No []	Ser.No []	Ser.No []												

The meaning of the various information given on it is listed below:

- F.Mod.....factory description of product
- Comm.Modelcommercial description
- PNC.....production number code
- Ser.Noserial number
- El:.....power supply voltage+phase
- Hz:.....power supply frequency
- kW:.....max. power input
- Acurrent absorption
- Power unit El.:.....power
- Idust and water protection rating
- CECE marking
- AB.....gas safety certificate number
- N.....certification group
- 0051.....notified body
- EN 203-1EU standard
- L.....Logo INQ/GS
- CatGas Category
- PmbarGas pressure

Electrolux Professional SPA
 Viale Treviso, 15
 33170 Pordenone
 (Italy) Manufacturer

When installing the appliance, make sure the electrical connection is carried out in compliance with that specified on the dataplate.

III. GENERAL INSTRUCTIONS

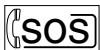
- Carefully read the instruction handbook before using the appliance.
- After installation keep the instruction handbook for future consultation.





- **FIRE HAZARD** - Keep the area around the appliance clear and free from combustible materials. Do not keep flammable materials in the vicinity of the appliance.



- Install the appliance in a well-ventilated place to avoid the creation of dangerous mixtures of unburnt gases in the same room
- Air recirculation must take into account the air necessary for combustion, 2 m³/h/kW of gas power, and also the “well-being” of persons working in the kitchen.
- Inadequate ventilation causes asphyxia. Do not obstruct the ventilation system in the place where this appliance is installed. Do not obstruct the vents or ducts of this or other appliances.



- Place emergency telephone numbers in a visible position.
- Installation and maintenance must only be carried out by qualified personnel authorised by the manufacturer. For assistance, contact an authorised technical centre. Demand original spare parts.
- This appliance is designed for cooking food. It is intended for industrial use. Any use different from that indicated is improper.
- This appliance must not be used by minors and adults with limited physical, sensory or mental capabilities or without adequate experience and knowledge regarding its use.
- Personnel using the appliance must be trained and instructed regarding the risks involved.
- Do not leave the appliance unattended when operating.
- Turn the appliance off in case of fault or poor operation.
- Do not use products (even if diluted) containing chlorine (sodium hypochlorite, hydrochloric or muriatic acid, etc.) to clean the appliance or the floor under it. Do not use metal tools to clean steel parts (wire brushes or Scotch Brite type scouring pads).
- Do not store or use gasoline or other flammable vapours, liquids or items in the vicinity of this or any other appliance.
- Do not spray aerosols in the vicinity of this appliance while it is in operation.
- Never check for leaks with an open flame.

- The appliance is not suitable for a marine environment.
- Do not allow oil or grease to come into contact with plastic parts.
- Do not allow dirt, fat, food or other residuals to form deposits on the appliance.
- Do not clean the appliance with direct jets of water.
- Do not spray water or use steam to clean the equipment.
- The weighted sound pressure level emitted A does not exceed 70 dB (A).
- This instruction booklet is available in digital format by contacting the dealer or customer care.
- Install a safety circuit breaker ahead of the appliance. The contact opening distance and max. leakage current must comply with the regulations in force.
- The appliance must be earthed; it must be included in an equipotential node by means of the screw located under the appliance frame at the back right hand side. The screw is marked with the symbol .
- It is advisable to have the appliance inspected by an authorised person at least every 12 months. For this purpose, it is advisable to stipulate a servicing contract.
- The symbol  given on the product indicates that it should not be considered domestic waste, but must be correctly disposed of in order to prevent any negative consequences for the environment and the health of persons. For further information regarding the recycling of this product, contact the product agent or local dealer, the after-sales service or the local body responsible for waste disposal.

Failure to observe the above can compromise the safety of the appliance. Failure to observe the above invalidates the warranty.

IV. THE ENVIRONMENT

1. PACKING



The packing materials are environmentally friendly and can be stored without risk or burned in an appropriate waste incineration plant.

Recyclable plastic components are marked with:



Polyethylene: outer wrapping, instruction booklet bag, gas nozzle bag.



Polypropylene: roof packing panels, straps.



Polystyrene foam: corner protectors.

2. USE

Our appliances offer high performance and efficiency. To reduce electricity, water or gas consumption, do not use the appliance empty or in conditions that compromise optimum efficiency (e.g. with doors or lids open, etc.); the appliance must be used in a well-ventilated place, to avoid the creation of dangerous mixtures of unburnt gases in the room. When possible, preheat only before use.

3. CLEANING

In order to reduce the emission of pollutants into the environment, clean the appliance (externally and when necessary internally) with products that are more than 90% biodegradable (for further information refer to section V "CLEANING").

4. DISPOSAL



Do not disperse in the environment. Our appliances are manufactured using more than 90% (in weight) recyclable metals (stainless steel, iron, aluminium, galvanised sheet, copper, etc.).

Make the appliance unusable by removing the power cable and any compartment or cavity closing devices (when present) in order to avoid the risk of someone becoming trapped inside.

V. INSTALLATION

- Carefully read the installation and maintenance procedures given in this instruction manual before installing the appliance.



- Installation, maintenance and conversion to another type of gas must only be carried out by qualified personnel authorised by the manufacturer.

- Failure to observe the correct installation, conversion and modification procedures can result in damage to the appliance, danger to people, and invalidates the Manufacturer's warranty.

1. REFERENCE STANDARDS

- Install the appliance in accordance with the safety regulations and local laws of the country where used.
- **AUSTRALIA:** this appliance shall be installed only by authorised persons and in accordance with the manufacturer's installation instructions, local gas fitting regulations, local water supply regulations, AS5601-gas installation, health authorities and any other statutory regulations..

2. UNPACKING

ATTENTION!

Immediately check for any damage caused during transport.

- The forwarder is responsible for the safety of the goods during transport and delivery.
- Inspect the packs before and after unloading.
- Make a complaint to the forwarder in case of visible or hidden damage, reporting any damage or shortages on the dispatch note upon delivery.
- The driver must sign the dispatch note: the forwarder can reject the claim if the dispatch note is not signed (the forwarder can provide the necessary form).



- Unpack, taking care not to damage the appliance. Wear protective gloves.

- Carefully remove the protective film from metal surfaces and clean any traces of glue with a suitable solvent.
- For hidden damage or shortages becoming apparent only after unpacking, request the forwarder for inspection of the goods within and not later than 15 days of delivery.
- Keep all the documentation contained in the packing.

3. POSITIONING

- Handle the appliance with care in order to avoid damage or danger to people. Use a pallet for handling and positioning.
- The installation diagram provided in this instruction manual gives the appliance overall dimensions and the position of connections (gas, electricity, water). Check that they are available and ready for making all the necessary connections.
- The appliance can be installed separately or combined with other appliances of the same range.
- The appliances are not suitable for recess-mounting. Leave at least 10 cm between the appliance and side or rear walls.
- Suitably insulate surfaces that are at distances less than that indicated.
- Maintain an adequate distance between the appliance and any combustible walls. Do not store or use flammable materials and liquids near the appliance.
- Leave an adequate space between the appliance and any side walls in order to enable subsequent servicing or maintenance operations.
- Check and if necessary level the appliance after positioning. Incorrect levelling can cause appliance malfunctioning.

3.1. JOINING APPLIANCES

- (Fig. 1A) Undo the 4 fixing screws and remove the control panels of the appliances.
- (Fig. 1B) Remove the fixing screw nearest the control panel, from each side to be joined.
- (Fig. 1D) Bring the appliances together and level them by turning the feet until the tops match.
- (Fig. 1C) Turn one of the two plates inside the appliances 180°.
- (Fig. 1E) From inside the control panel of the same appliance, join them at the front side, screwing one M5x40 Hex Head screw (supplied) on the opposite insert.
- (Fig. 1F) From the rear of the appliances, insert the coupling plate (supplied) in the side slots on the back panels. Secure the plate with two M5 flathead screws (supplied).

3.2. FLOOR FIXING

To avoid accidental tipping of built-in half-module appliances installed separately, fix them to the floor carefully following the instructions enclosed with the corresponding accessory (F206136).

3.3. INSTALLATION ON BRIDGE, CANTILEVER FRAME OR CEMENT PLINTH

Carefully follow the instructions enclosed with the corresponding accessory. Follow the instructions enclosed with the optional product chosen.

3.4. SEALING GAPS BETWEEN APPLIANCES

Follow the instructions enclosed with the optional sealing paste pack.

4. FUME EXHAUST

FOR AUSTRALIA, VENTILATION MUST BE IN ACCORDANCE WITH AUSTRALIAN BUILDING CODES AND KITCHEN EXHAUST HOODS MUST COMPLY WITH AS/NZS1668.1 AND AS 1668.2

4.1. TYPE "A1" APPLIANCES

Position type "A1" appliances under an extraction hood to ensure removal of fumes and steam produced by cooking.

- **SUB CLAUSE 4.1 is not relevant for Australian standard**

5. CONNECTIONS



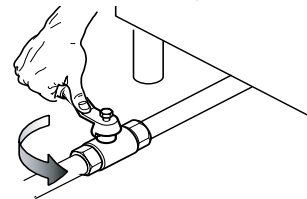
- Any installation work or maintenance to the supply system (gas, electricity, water) must only be carried out by the utility company or an authorised installation technician.
- Refer to the appliance dataplate for the product code.
- See the installation diagram for the type and position of appliance connections.

5.1. GAS APPLIANCES

IMPORTANT! This appliance is arranged and tested to operate with G20 gas 20mbar; to convert it to another type of gas, follow the instructions in par. 5.1.6. of this section.

5.1.1. BEFORE CONNECTING

- Make sure the appliance is arranged for the type of gas to be used. Otherwise, carefully follow the instructions given in the section: "Gas appliance conversion / adjustment".
- Fit a rapid gas shutoff cock/valve ahead of each appliance. Install the cock/valve in an easily accessed place.



- Clean the pipes to remove any dust, dirt or foreign matter which could block the supply.
- The gas supply line must ensure the gas flow necessary for full operation of all the appliances connected to the system. A supply line with insufficient flow will affect correct operation of the appliances connected to it.
- **Attention!** Incorrect levelling of the appliance can affect combustion and cause malfunctioning.

5.1.2. CONNECTION

- Before connecting the appliance to the gas supply, remove the plastic protection cover from the gas connection on the appliance.
- The appliance is arranged for connection on the bottom right side; countertop models can be connected to the gas supply using the rear connection, after unscrewing the metal closing plug and screwing it tightly onto the front connection.
- After installation, use soapy water to check connections for leaks.
- The gas connection is male 1/2" BSP

5.1.3. SUPPLY PRESSURE CHECK (fig. 2A).

Make sure the appliance is suitable for the type of gas available, according to that given on the dataplate (otherwise, follow the instructions given in the section “Conversion to another type of gas”). The supply pressure must be measured with the appliance operating, using a pressure gauge (min. 0.1 mbar).

- Remove the control panel.
- Remove retaining screw “N” from the pressure point and connect the pressure gauge “O”
- Compare the value read on the pressure gauge with that given in Table B (see handbook Appendix)
- If the pressure gauge gives a pressure outside the range of values in Table A, do not switch the appliance on. Consult the gas company.

5.1.4. GAS PRESSURE REGULATOR

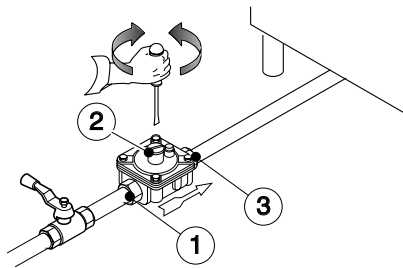
The section of the gas supply line must be sufficient to ensure the gas flow necessary for full operation of all the appliances connected to the system.

If the gas pressure is higher than that specified or is difficult to regulate (not stable), install a gas pressure regulator (accessory code 927225) in an easily accessed position ahead of the appliance.

The pressure regulator should preferably be fitted horizontally, to ensure the right outlet pressure:

- “1” connection side gas from mains.
- “2” pressure regulator;
- “3” connection side gas towards the appliance;

The arrow on the regulator (→) indicates the gas flow direction.



NOTE! These models are designed and certified for use with natural or propane gas. For natural gas, the pressure regulator on the header is set to 8” w.c. (20mbar).

AUSTRALIA: the gas pressure regulator supplied with the appliance must be fitted to the appliance inlet. Adjust the test point pressure with one burner operating at maximum setting as follow:

- 1.0 KPa for Natural gas
- 2.65 KPa for Propane gas

5.1.5. PRIMARY AIR CHECK (Fig.3B-3C)

The primary air is correctly adjusted when the flame does not “float” with the burner cold and there is no flareback with the burner hot.

- Undo screw “A” and position aerator “E” at distance “H” given in Table B; retighten screw “A” and seal with paint.

5.1.6. CONVERSION TO ANOTHER TYPE OF GAS

Table B “technical data/gas nozzles” gives the type of nozzles to be used when replacing those fitted by the manufacturer (the number is stamped on the nozzle body). At the end of the procedure, carry out the following check-list:

Check	Ok
• burner nozzle/s replacement	
• correct adjustment of primary air supply to burner/s	
• pilot nozzle/s replacement	
• minimum flame screw/s replacement	
• correct adjustment pilot/s if necessary	
• correct adjustment of supply pressure (see technical data/gas nozzles table)	
• apply sticker (supplied) with data of new gas type used	

5.1.6.1 MAIN BURNER NOZZLE REPLACEMENT (frytop, fig.3B)

- Unscrew nozzle “C” and replace it with one suitable for the type of gas (Table B) complying with that given in the following table.
- The nozzle diameter is given in hundredths of mm on the nozzle body.
- Retighten nozzle “C”.

5.1.6.2 PILOT BURNER NOZZLE REPLACEMENT (frytop)

- Undo screw coupling “H” and replace nozzle “G” with the one suitable for the type of gas (Table B, fig.3A).
- The nozzle identification number is given on nozzle body.
- Retighten screw coupling “H”.

5.1.6.3 MINIMUM FLAME SCREW (frytop, fig.2A)

- The valve min. screw “M” must be unscrewed two and a half turns to obtain a frytop ON/OFF function.

5.1.6.4 MAIN BURNER NOZZLE REPLACEMENT (oven, fig.3C)

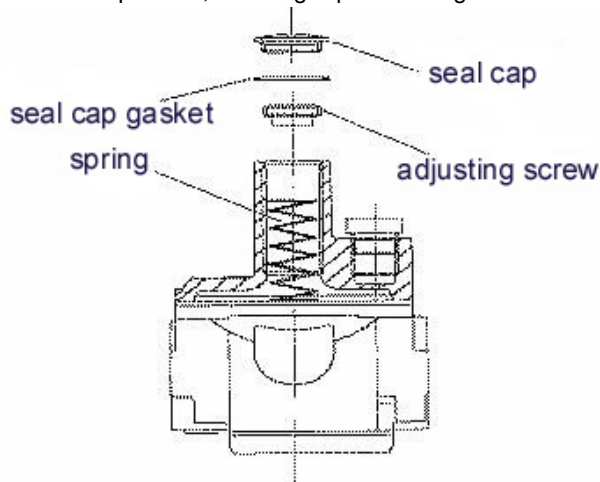
- Remove the lower panel of the appliance and remove the floor of the oven.
- Unscrew nozzle “F” (Table B).
- Remove the nozzle and aerator.
- Replace nozzle “F” with the corresponding nozzle for the selected gas, according to that given in the following table.
- The nozzle diameter is given in hundredths of mm on the nozzle body.
- Insert nozzle “F” in aerator “E”, then fit the two assembled components in their position, screwing the nozzle down tightly.

5.1.6.5 PILOT BURNER NOZZLE REPLACEMENT (oven, fig.3D)

- Undo screw coupling “L” and replace nozzle “I” with one suitable for the type of gas (Table B).
- The nozzle diameter is given in hundredths of mm on the nozzle body.
- Retighten coupling “L”.

5.1.6.6 REPLACING THE ADJUSTMENT SPRING OF THE PRESSURE REGULATOR (fig. 2A)

- Replace the spring of the pressure regulator with one suitable for the gas pressure type given in table B (see handbook Appendix) as follows:
 - Remove the seal cap, seal cap gasket, adjusting screw and the spring.
 - Insert the new spring and replace the adjusting screw.
 - Connect a pressure gauge to the appliance's test point pressure.
 - Ignite the appliance's burners so to have the maximum gas consumption.
 - Regulate the adjustment screw until the pressure gauge shows the working pressure value (section 5.1.4 Gas pressure regulator).
 - Replace the seal cap and gasket and screw tightly closed.
 - Remove the pressure gauge and close the test point pressure.
 - Prior to operation, test the gas pressure regulator for leaks.



5.2. ELECTRICAL APPLIANCES

5.2.1. ELECTRICAL CONNECTION (Fig. 4A-Table C).

IMPORTANT! Before connecting, make sure the mains voltage and frequency match that given on the dataplate.

- To access the terminal board, remove the control panel of the appliance by removing the fixing screws.
- Connect the power cable to the terminal block as shown in the wiring diagram attached to the appliance.
- Secure the power cable with the cable gland.

IMPORTANT! The manufacturer declines any liability if the safety regulations are not respected.


5.2.2. POWER CABLE

Unless otherwise specified, our appliances are not equipped with a power cable. The installer must use a flexible cable having characteristics at least equivalent to H07RN-F rubber-insulated type. Protect the cable section outside the appliance with a metal or rigid plastic pipe.

5.2.3. CIRCUIT BREAKER

Install a circuit breaker ahead of the appliance. The contact opening distance and maximum leakage current must comply with current regulations.

5.3. EQUIPOTENTIAL NODE AND EARTH CONNECTION

Connect the appliance to an earth; it must be included in an equipotential node by means of the screw located at the front right under the frame. The screw is marked with the symbol .

6. SAFETY THERMOSTAT

Some of our appliance models use a safety thermostat that cuts in automatically when temperatures exceed a set value, shutting off the gas supply (gas appliances) or the electricity (electric appliances).

6.1. RESET

- Wait until the appliance has cooled: a suitable temperature for resetting is approx. 90°C.
- Press the red button on the safety thermostat body.

IMPORTANT! If resetting requires the removal of a protection part (e.g. control panel) this must be done by a specialised technician. Tampering with the safety thermostat invalidates the warranty.

7. BEFORE COMPLETING INSTALLATION OPERATIONS

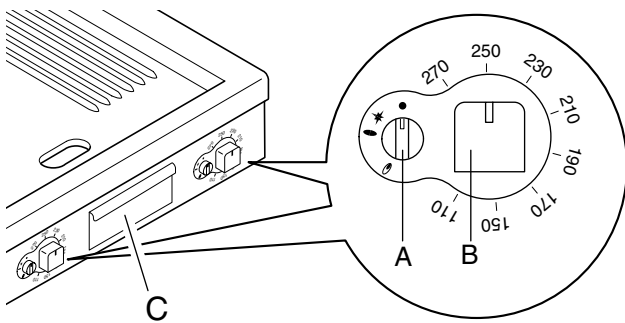
Use soapy water to check all gas connections for leaks. **DO NOT** use a naked flame to check for gas leaks. Light all the burners separately and also together, to check correct operation of the gas valves, rings and lighting. For each burner, adjust the flame regulator to the lowest setting, individually and together; after completing the operations, the installer must instruct the user on the correct method of use. If the appliance does not work properly after carrying out all the checks, contact the local after-sales service centre.

VI. INSTRUCTIONS FOR THE USER

1. FRY TOP USE

- The appliance is intended for industrial use by trained personnel.
- Do not use the appliance empty or in conditions that compromise its optimum efficiency. Also, if possible, preheat the appliance immediately before use.
- The frytop is designed for direct cooking of food on the hot-plate (hamburgers, chops, eggs, sausages, fish, vegetables, etc.). Any other use is deemed improper.
- Every day before use, empty the oil collection tray with the appliance cold.
- Do not use the frytop to warm pots or pans.
- **Frytop 400mm:** it consists of a single cooking zone controlled by a thermostatic gas valve (gas version) or a thermostat (electric version). The bulb for measuring the temperature is located in the middle of the plate;
- **Frytop 800mm:** it consists of two cooking zones (left side and right) controlled by two thermostatic gas valves (gas version) or by two thermostats (electric version), one for each zone. The bulbs for measuring the temperature are located in the middle of the plate (left and right side respectively).

1.1. GAS MODELS



Switching on

The thermostatic valve control knobs have the following positions:

Knob A:

- "Off"
- ★ "Pilot ignition"
- 🔥 "Pilot on"
- "On"

Knob B:

required temperature adjustment.

- Press knob "A" lightly, turning it anticlockwise a few degrees to release it.
- Press down fully and turn it to the position ★; a click will indicate sparking.
- Keep knob "A" pressed and turn it to the position ● keeping it there for about 15/20 seconds to allow the gas to reach the pilot burner and the thermocouple to heat. Lighting of the pilot burner can be seen through the sight hole located behind the grease tray "C".
- After this, knob "A" can be turned to in order to light the burner.
- Use knob "B" to select the required temperature.
- In case of emergency, the pilot burner can be lit manually by bringing a flame to it after removing the grease tray and keeping knob "A" in the "pilot ignition" position.

Switching off

- Turn knob "A" to the position ★, to turn off the main burner
- To turn off the pilot burner, turn knob "A" to the position ●

At end of service:

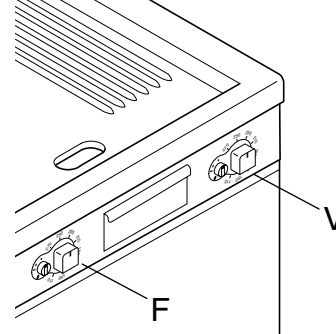
- turn knob "A" to the position ●.
- close the gas shutoff cock.

1.1.1. INTERLOCK

The valve has a thermal device (interlock) that prevents relighting for about 40 seconds (sufficient time for the safety thermocouple to cool) if the pilot burner goes out.

1.1.2. GAS OVEN FRYTOP OPERATION

In models with gas oven, frytop operation is regulated by a single thermostatic valve "V" (right side of control panel). The bulb for measuring the temperature is located on the right side, in the middle of the plate.



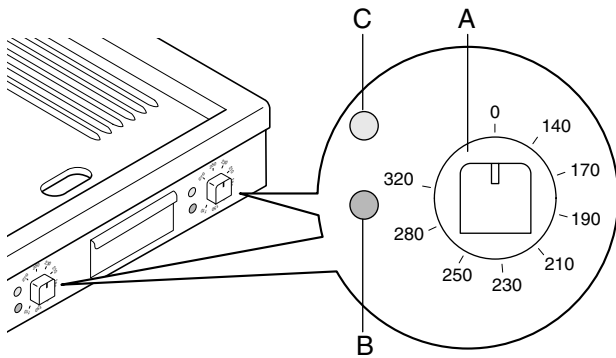
The thermostatic valve "F" positioned on the left side controls gas oven operation.

Note: The oven is a static oven. Carry out cooking with the oven door closed.

1.1.3. OVEN VENTILATED USE

See attached handbook (59589B800)

1.2. ELECTRIC MODELS



Switching on

- Turn on the main switch located ahead of the appliance.
- Turn thermostat knob "A" to the required temperature.
- Lighting up of green indicator "C" signals that the power is on.
- Lighting up of indicator "B" signals that the heating elements are on. The indicator goes off when the set temperature is reached.

Switching off

- Turn the control knobs to "0".

Use the selector to choose the most suitable type of heating, activating the heating elements in an appropriate way:

- O off
- 1 appliance "On"
- ▬▬ upper and lower heating elements
- ▬▬ upper heating element
- ▬▬ lower heating element

Switching on

Turn heating element control knob "D" to the required setting. Lighting up of green indicator "A" signals that the power is on. Turn thermostat knob "E" to the required cooking temperature setting. Lighting up of yellow indicator "G" signals that the heating elements are on; it goes off when the set temperature is reached.

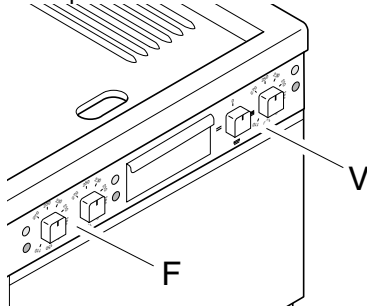
Switching off

Turn the control knobs to the off position "0". Turn off the electrical switch installed ahead of the appliance.

Note: The oven is a static oven. Carry out cooking with the oven door closed.

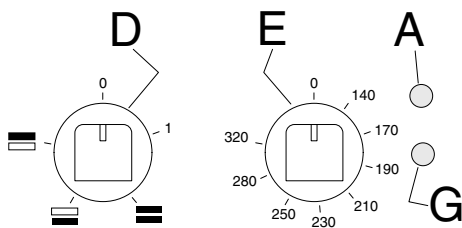
1.2.1. ELECTRIC OVEN FRYTOP OPERATION

In models with electric oven, the thermostats "F" of the two frytop zones are positioned on the left side of the control panel.



The control knobs of the electric oven "V" are positioned on the right side:

The heating elements are controlled by a 4-position selector knob "D", whereas the oven temperature is controlled by a thermostat "E".



VII. CLEANING

IMPORTANT!

Disconnect the appliance from the power supply before carrying out any cleaning.

Do not use ice or water to quickly cool the cooking plate: do not use ice or water for cleaning when the plate is hot, since this will permanently deform it and compromise appliance operation.

Improper cleaning automatically invalidates the warranty.

1. EXTERNAL PARTS

SATIN-FINISH STEEL SURFACES (daily)

- Clean all steel surfaces: dirt is easily removed when it has just formed.
- Remove grime, fat and other cooking residuals from steel surfaces when cool using soapy water, with or without detergent, and a cloth or sponge. Dry the surfaces thoroughly after cleaning.
- In case of encrusted grime, fat or food residuals, go over with a cloth or sponge, wiping in the direction of the satin finish and rinsing often: rubbing in a circular motion combined with the particles of dirt on the cloth/sponge could spoil the steel's satin finish.
- Metal objects can spoil or damage the steel: damaged surfaces become dirty more easily and are more subject to corrosion.
- Restore the satin finish if necessary.

SURFACES BLACKENED BY HEAT (when necessary)

Exposure to high temperatures can cause the formation of dark marks. These do not constitute damage and can be removed by following the instructions given in the previous section.

2. OTHER SURFACES

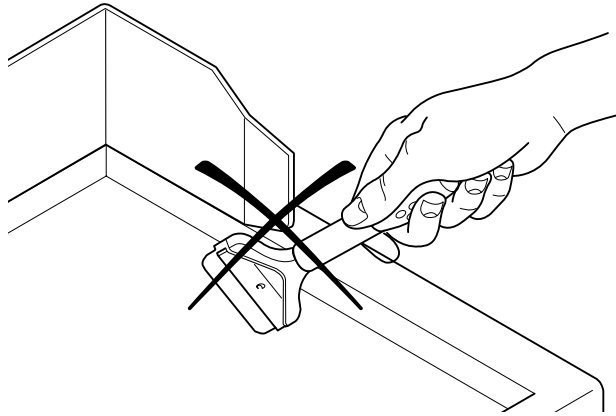
SURFACES IN SOFT IRON OR CAST IRON (daily)

Remove dirt using a damp cloth or, in case of encrustations, the accessories (optional or supplied) specified in the list. After cleaning, switch the appliance on to dry the surface quickly, then protect the surface with a light film of cooking oil.

CHROMED SURFACES (daily)

- **Do not use chlorine-based products, as they can damage the hot-plate**
- To protect the finish of the chromed plate do not use lemon or an excessive quantity of salt (as it contains chlorine) during cooking.
- Only use s/steel spatulas with rounded edges to place and remove food on the plate.
- During cooking, clean using the special scraper with rounded blade edges for the smooth plate and the special serrated spatula for the grooved plate. Do not use utensils that can damage the chrome.
- At the end of the day, with plate cold, clean with a sponge and carefully dry. Vinegar can be used to remove any remaining marks, making sure to rinse the hot-plate afterwards.
- Do not use steel wool, abrasive powders or aggressive chemicals (or containing chlorine) to clean the hot-plate.

Attention: Do not use the edge scraper (see figure)



as it will scratch the plate, permanently compromising its functionality and cleanability. Replace the blade whenever not perfectly sharp.

TANKS AND COLLECTION DRAWERS (even several times a day)

Remove any grease, oil, food residuals, etc., from trays, drawers and containers in general used for collection. Always clean these containers at the end of the day. While using the appliance, empty them when they are nearly full.

3. IDLE PERIODS

If the appliance is not going to be used for some time, take the following precautions:

- Close the cocks or main switches ahead of the appliances.
- Go over all the stainless steel surfaces vigorously with a rag moistened with paraffin oil in order to create a protective film.
- Periodically air the premises.
- Have the appliance checked before using it again.
- To prevent too rapid evaporation of accumulated moisture with consequent breakage of elements, switch electric appliances on at minimum heat for at least 45 minutes before reuse.

4. INTERNAL PARTS (every 6 months)

IMPORTANT! Operations to be carried out only by specialised technicians.

- Check the internal parts.
- Remove any deposits of dirt inside the appliance.
- Check and clean the discharge system.

NOTE ! In particular ambient conditions (e.g. intensive use of the appliance, salty environment, etc.) the above cleaning should be more frequent.

VIII. MAINTENANCE

1. MAINTENANCE

All components requiring maintenance are accessible from the front of the appliance, after removing the control panel and front panel. Disconnect the power supply before opening the appliance

1.1. BRIEF TROUBLESHOOTING GUIDE

Even with normal use, malfunctions can occur.

The pilot burner does not light

Possible causes:

- The igniter is not properly fixed or connected.
- The ignition or the igniter cable are damaged.
- Insufficient pressure in gas pipes.
- Blocked nozzle.
- Faulty gas valve.

The pilot burner goes out when the igniter knob is released

Possible causes:

- The pilot burner is not heating the thermocouple sufficiently.
- Faulty thermocouple.
- The gas valve knob is not being pressed enough.
- Lack of gas pressure at the valve.
- Faulty gas valve.

The pilot burner is still lit but the main burner does not light

Possible causes:

- Loss of pressure in gas pipe.
- Blocked nozzle or faulty gas valve.
- Burner with gas outlet holes clogged.

The frytop temperature cannot be adjusted.

Possible causes:

- Faulty thermostat bulb.
- Faulty gas valve.

The oven temperature cannot be adjusted.

Possible causes:

- Faulty thermostat bulb.
- Faulty gas valve.
- Faulty electric thermostat.
- Electric safety thermostat cut in.

INSTRUCTIONS FOR REPLACING COMPONENTS

(to be carried out only by a specialised installer)

GAS VALVE

- Remove the knobs and control panel.
- Unscrew the pilot and thermocouple pipe.
- Unscrew the gas inlet and outlet connections.
- Lift the cooking plate at the front and remove the thermostat bulb.
- For installation carry out the same procedure in reverse order.

FRYTOP IGNITER, THERMOCOUPLE, PILOT BURNER ASSEMBLY

- Remove the knobs and control panel.
- Replace the component.

FRYTOP MAIN BURNER

- Remove the knobs and control panel.
- Remove the cooking plate, firstly removing the thermostat bulbs.
- Remove the clamp fixing the burner to the gas pipe and nozzle holder.
- Remove the burner and replace it.

For installation carry out the same procedure in reverse order.

OVEN IGNITER, THERMOCOUPLE, PILOT BURNER ASSEMBLY

- Remove the knobs and control panel
- Remove the cast-iron oven plate and the pilot assembly protection.
- Replace the component.

For installation carry out the same procedure in reverse order.

OVEN MAIN BURNER

- Remove the cast-iron oven plate.
- Remove the burner protection plate.
- Remove the burner and replace it.

For installation carry out the same procedure in reverse order.

1.2. MAINTENANCE SCHEDULE

- It is advisable to have the appliance inspected by an authorised person at least every 12 months. For this purpose, it is advisable to stipulate a servicing contract.

AUSTRALIA

For service and spare parts, please contact:

Electrolux - Tom Stoddart Pty Ltd

Zanussi - JL Lennard Pty Ltd