

# robot coupe<sup>®</sup>

New  
Register  
your product  
on line

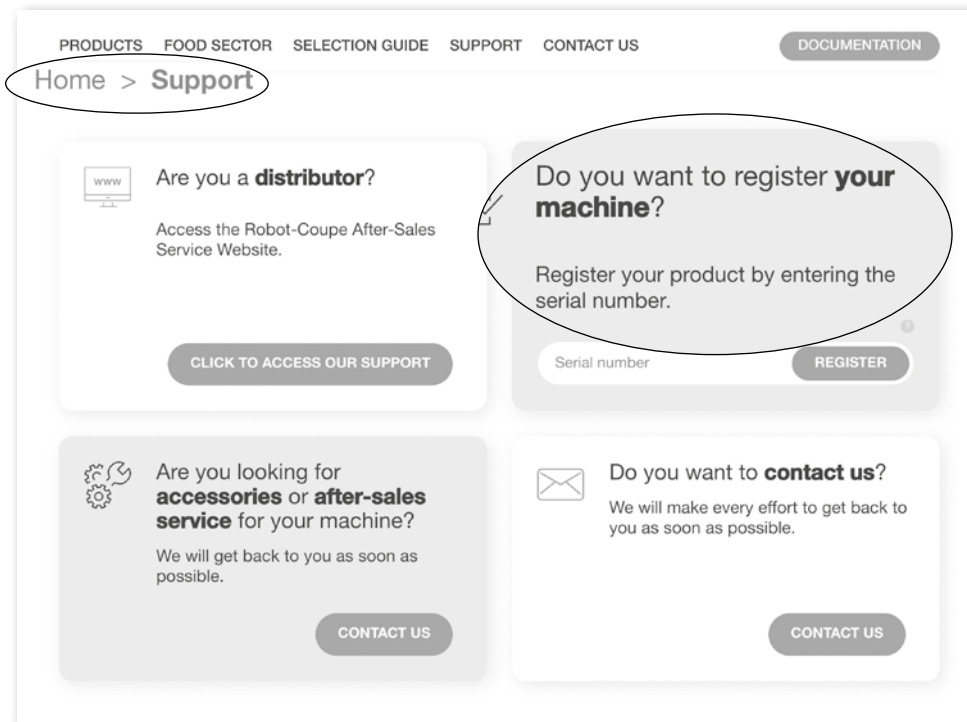


**Blixer<sup>®</sup> 5 G • Blixer<sup>®</sup> 5 V.V. G • Blixer<sup>®</sup> 7 • Blixer<sup>®</sup> 7 V.V.**

TRANSLATION OF ORIGINAL INSTRUCTIONS

[www.robot-coupe.com](http://www.robot-coupe.com)

@ Register your product on line



**robot**  **coupe**®

## UKCA Declaration of Conformity

**Robot-Coupe® SNC** declares that all the machines subject of these original instructions, as well as their accessories and their packaging, comply with:

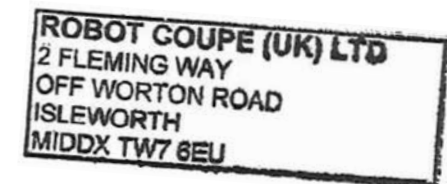
- the essential requirements of the following European directives and with the corresponding national regulations:
  - Supply of Machinery (Safety) **Regulations 2008 N °1597**,
  - Electrical Equipment (Safety) **Regulations 2016 N °1101**,
  - Electromagnetic Compatibility **Regulations 2016 N °1091**,
  - Restriction of the Use of Certain Hazardous Substances in Electrical and Electronic Equipment **Regulations 2012 N °3032**,
  - The Waste Electrical and Electronic Equipment **Regulations 2013 N °3113**,
- The REACH Enforcement **Regulations 2008 N °2852**,
- The Materials and Articles in Contact with Food **Regulations 2012**,
- Regulation **(EC) No 2023/2006** "Good manufacturing practice for materials and articles intended to come into contact with food".
- The Plastic Materials and Articles in Contact with Food **Regulations 2008**,
- the provisions of the following harmonized European standards and the standards specifying the safety and hygiene requirements:
  - **EN ISO 12100** Safety of machinery – General principles for design,
  - **EN 60204-1** Safety of machinery – Electrical equipment of machines,
- **EN 60529** Degrees of protection provided by enclosures (IP Code):
  - Requirements according to EN 60204-1. Minimum IP34 for control system enclosures,
- and according to the category of the apparatus, with the provisions of the following harmonized European standards specifying the safety and hygiene requirements:
  - **EN 454**.....Planetary Mixers,
  - **EN 1678**.....Vegetable Cutting Machines (and Juice Extractors),
  - **EN 12852**.....Food Processors and Blenders,
  - **EN 12853**.....Hand-Held Blenders and Whisks (Power Mixers),
  - **EN 13208**.....Vegetable Peelers,
  - **EN 13621**.....Salad Dryers,
  - **EN 14655**.....Baguette Slicers.
- The whole with reference to the version in force on the date of this Declaration for all the above directives, regulations and standards, as well as all applicable (EU) regulations which modify, correct and/or rectify them.

"Revision R0"

Isleworth, on September 20<sup>th</sup>, 2022.

*Edmund Cotterell*

Edmund COTTERELL  
Managing Director



# SUMMARY



## WARRANTY



## IMPORTANT WARNING



## INTRODUCTION TO YOUR NEW EMULSIFIER-MIXER Blixer® 5 G • Blixer® 5 V.V. G • Blixer® 7 • Blixer® 7 V.V.



## SWITCHING ON THE MACHINE

- Advices on electrical connections
- Control panel
- Timer



## ASSEMBLY



## USES & EXAMPLES



## HYGIENE



## CLEANING

- Motor Base
- Blade
- Blixer arm
- Bowl



## MAINTENANCE

- Blade
- Blixer arm
- Motor seal



## TECHNICAL SPECIFICATIONS

- Weight
- Dimensions
- Working height
- Noise level
- Electrical data



## SAFETY



## DIAGNOSIS

- List of codes displayed



## STANDARDS



## ELECTRICAL AND WIRING DIAGRAMS

# ROBOT-COUCPE S.N.C., LIMITED WARRANTY

**Your new ROBOT-COUCPE appliance is warranted to the original buyer for a period of one year from the date of sale if you bought it from ROBOT-COUCPE S.N.C.**

**If you bought your ROBOT-COUCPE product from a distributor your product is covered by your distributor's warranty (Please check with your distributor terms and conditions of the warranty).**

**The ROBOT-COUCPE S.N.C. limited warranty is against defects in material and/or workmanship.**

## **THE FOLLOWING ARE NOT COVERED BY THE ROBOT-COUCPE S.N.C. WARRANTY:**

**1 -** Damage caused by abuse, misuse, dropping, or other similar damage caused by or resulting from failure to follow assembly, operating, cleaning, user maintenance or storage instructions.

**2 -** Labour to sharpen and/or replacements for blades which have become blunt, chipped or worn after a normal or excessive period of use.

**3 -** Materials or labour to replace or repair scratched, stained, chipped, pitted, dented or discoloured surfaces, blades, knives, attachments or accessories.

**4 -** Any alteration, addition or repair that has not been carried out by the company or an approved service agency.

**5 -** Transportation of the appliance to or from an approved service agency.

**6 -** Labour charges to install or test new attachments or accessories (i.e., bowls, discs, blades, attachments) which have been arbitrarily replaced.

**7 -** The cost of changing direction-of-rotation of three-phase electric motors (installer is responsible).

**8 -** Shipping damages. Visible and latent defects are the responsibility of the freight carrier. The consignee must inform the carrier and consignor immediately, or upon discovery in the case of latent defects.

Keep all original containers and packing materials for carrier inspection.

Neither ROBOT-COUCPE S.N.C. nor its affiliated companies or any of its distributors, directors, agents, employees, or insurers will be liable for indirect damage, losses, or expenses linked to the appliance or the inability to use it.

**The ROBOT-COUCPE S.N.C. warranty is given expressly and in lieu of all other warranties, expressed or implied, for merchantability and for fitness toward a particular purpose and constitutes the only warranty made by ROBOT-COUCPE S.N.C. France.**

# RECOMMENDATIONS CONCERNING THE INSTALLATION OF VARIABLE-SPEED APPLIANCES AND PERSONAL SAFETY

These recommendations apply to machines equipped with an induction motor and a single-phase wobbulator.

**NB :**

- The electrical circuit and the protective devices must comply with national regulations.
- The machine must be wired in by a qualified electrician

**Protecting your appliance**

- Like all electronic devices, wobblers include components that are sensitive to electrostatic discharges (ESDs). Before conducting any work on these wobblers, technicians must therefore rid themselves of electrostatic charges.
- The machine must be disconnected from the mains supply before any internal connection operations are carried out.
- Repeatedly switching on the appliance will cause the wobbulator to overload and may result in its destruction. After the machine has been switched off, you must wait for 3 minutes before switching it back on again.

**Wiring**


- The appliance requires single-phase current as far as the wobbulator, which turns the latter into variable-speed three-phase current to supply the motor.

- You must connect the machine to a 220 - 240 V / 50 or 60 Hz single-phase alternating current supply with an earthed socket. A higher voltage will destroy the wobbulator.
- The earthed socket ensures operator safety.

**Circuit interrupters ensuring user safety**

Ground fault circuit interrupters (GFCIs) intended for variable-speed appliances need to be selected with great care in order to ensure operator safety. GFCIs may be sensitive to alternating current (type AC), impulse current (type A) or all currents (type B).

**Danger !** Wobblers feature a bridge-connected rectifier of the mains supply voltage. For this reason, in the event of an earth contact, a continuous fault current may fail to trip a differential circuit breaker that is only sensitive to alternating current (type AC).

As the appliance has a single-phase supply, it is therefore advisable to use a GFCI that is sensitive to impulse current (type A), identified by the following symbol: .

**Caution:** these GFCIs may go under different names, according to the manufacturer.

Appliances with wobblers produce a fault current on the earth wire. This current may be sufficient to trip the differential circuit breaker unnecessarily. This may occur if :

- Several variable-speed appliances are connected to the same GFCI.
- The appliance produces a fault current that is above the GFCI's actual trip threshold.

**Caution:** As there are manufacturing tolerances, the actual trip threshold of a GFCI will be between 50% and 100% of its theoretical nominal threshold. Should a problem arise, measure the fault current and the GFCI's actual trip threshold.

You can begin by consulting the characteristics of your appliance in the table below :

Appliance	Mains supply	Conductor Cross-section (mm <sup>2</sup> )	GFCI (Ph + N)	
			Gauge (A)	Threshold (mA)
<b>Blixer® 5 V.V.</b> <b>Blixer® 7 V.V.</b>	220 - 240V 50 or 60 Hz <b>single-phase</b>	2,5	B 20	≥ 30

# IMPORTANT WARNING



**WARNING:** In order to limit accidents such as electric shocks or personal injury, and in order to limit material damage due to misuse of the appliance, please read these instructions carefully and follow them strictly. Reading the operating instructions will help you get to know your appliance and enable you to use the equipment correctly. Please read these instructions in their entirety and make sure that anyone else who may use the appliance also reads them beforehand. Our equipment is designed for professional use and must not be used by children under any circumstances.

## UNPACKING

- Carefully remove the equipment from the packaging and take out all the boxes or packets containing attachments or specific items.
- **WARNING** - some of the tools are very sharp e.g. blade, discs... etc.

## INSTALLATION

- We recommend you install your machine on a perfectly stable solid base.

## CONNECTION

- Always check that your mains supply corresponds to that indicated on the identification plate on the motor unit and that it can withstand the amperage.
- The machine must be earthed.
- With the three-phase version, always check that the blade rotates in an anti-clockwise direction.

## HANDLING

- Always take care when handling the blades or discs - they are very sharp.

## ASSEMBLY PROCEDURES

- Follow the various assembly procedures carefully (see page 8) and make sure that all the attachments are correctly positioned.

## USE

- Never try to override the locking and safety systems.
- Never introduce any object into the container where the food is being processed.
- Never push the ingredients down with your hand.
- Do not overload the appliance.
- Never switch the appliance on while it is empty.

## CLEANING

- As a precaution, always unplug your appliance before cleaning it.
- Always clean the appliance and its attachments at the end of each cycle.
- Never place the motor unit in water.
- For parts made of aluminum alloys, use cleaning fluids suitable for aluminum.

- For plastic parts, do not use detergents that are too alkaline (i.e., containing too much caustic soda or ammonia...)
- Robot-Coupe can in no way be held responsible for the user's failure to follow the basic rules of cleaning and hygiene.

## MAINTENANCE

- Before opening the motor housing, it is absolutely vital to unplug the appliance.
- Check the seals and washers regularly and ensure that the safety devices are in good working order.
- It is particularly important to maintain and check the attachments since certain ingredients contain corrosive agents e.g. citric acid.
- Never operate the appliance if the power cord or plug has been damaged in any way or if the appliance fails to work properly or has been damaged in any way.
- Do not hesitate to contact your local Maintenance Department if something appears to be wrong.

## INTRODUCTION TO YOUR NEW Blixer® 5 G • Blixer® 5 V.V. G Blixer® 7 • Blixer® 7 V.V. TABLE-TOP CUTTER MIXER

ROBOT-COUCPE has developed a new concept in appliance: the **Blixer®**.

The Blixer® combines the features of two well-known appliances: the cutter and the blender-mixer.

The Blixer® is perfectly geared to professional needs. It can perform any number of tasks which you will soon discover as you use it.

The Blixer® will make it easy to prepare mixed liquid or semi-liquid, raw or cooked meals.

The Blixer® replace the blender which does not give entire satisfaction because of its incapacity to process solid foods.

Thanks to its simple design, all components requiring frequent handling for maintenance or cleaning are easily fitted or removed.

To make things easier for you, this manual gives a breakdown of all the various fitting operations.

This manual contains important information designed to help the user get the most out of their device.

**We therefore recommend that you read it carefully before using your machine.**

## SWITCHING ON THE MACHINE

### • ADVICE ON ELECTRICAL CONNECTIONS

Before plugging in, check that your power supply corresponds to that indicated on the machine's identification plate.



### Blixer® 5 - Blixer® 7 Three phase

ROBOT-COUCPE appliances are fitted with the following types of motor:

- 230-400 V / 50 Hz / 3
- 400 V / 50 Hz / 3
- 220 V / 60 Hz / 3
- 380 V / 60 Hz / 3

This machine is supplied with a cable to which you simply attach the appropriate electrical plug or isolator for your system. The cable has four wires, one earth wire, plus three phases wires.

#### If you have a 4-pin plug:

- 1) Connect the green and yellow earth wire to the earth pin.
- 2) Connect the three other wires to the remaining pins.

**If you have more than 4 pins in the plug**, please note the ROBOT-COUCPE does not require a neutral wire.

**Switch on the empty machine, making sure that the blade is rotating properly in an anti-clockwise direction.**

On the motor unit and on the lid a arrow marks the blade rotation directions.

If the blade turns in a clockwise direction, swap over two wires.

#### GREEN YELLOW is the earth, DO NOT DISCONNECT

Swap either : the ❶ and the ❷  
the ❶ and the ❸  
the ❷ and the ❸

### Blixer® 5 Single phase

ROBOT-COUCPE appliances are fitted with the following types of moto:

- 230 V / 50 Hz / 1
- 220 V / 60 Hz / 1

The machine comes with a single phase plug connected to a power cord.

### Blixer® 5 V.V. - Blixer® 7 V.V. Single phase

The models are available with a single phase motor: + variable speed: 230 V / 50 - 60 Hz /1

The standardized plug must be calibrated to a minimum of 16 amps and preferably 20 amps, if the appliance is used intensively.

#### • START-UP

When the machine is connected to the mains, a start-up code beginning with the letter "C" appears briefly.

#### • ENERGY SAVING MODE

##### Blixer® 5 - Blixer® 7

After the food processor is plugged in, it needs to be switched on by pressing the "On" button I.

If the appliance is not used for 3 hours, it will go into energy saving mode.

The "On" button needs to be pressed again to switch on the power supply.

##### Blixer® 5 V.V. - Blixer® 7

When in use: the food processor automatically stops after 9 minutes if no commands are activated.

#### • CONTROL PANEL

- Red switch = Off switch
- Green switch I = Start speed 1
- Black switch = Pulse control

##### Blixer® 5 - Blixer® 7 :

- Green switch II = Start speed 2

##### Blixer® 5 V.V. - Blixer® 7 V.V. :

Speed variation from 300 to 3,500 rpm.



## • TIMER

### How the timer works

The timer has three 7-segment LED displays, two timer adjustment buttons and a buzzer.

#### a) Countdown

When the food processor is switched on, the timer usually displays **0.00** and can be set directly. This is called **Countdown** Mode. The timer increments one second at a time when the motor is operating. Incrementation stops if the motor stops then resumes when the motor starts again. .

#### b) Timer

Before starting, the user can adjust the processing time to anywhere between **0.05** (5 seconds) and **9.00** (9 minutes) by pressing the **+** and **-** buttons. When the motor starts, the timer increments one second at a time. This is called **Timer Mode**. Countdown stops if the motor stops and resumes when the motor starts again. When the countdown gets to **0.00**, the processor stops and a buzzer sounds. The time initially set is then displayed again.

#### c) Starting the processor with the Pulse button:

If the food processor is started using the Pulse button, the timer goes into Countdown Mode when the Pulse button is held down and returns to the previous timer display when the Pulse button is released.

#### d) Reset

If the timer displays anything other than **0.00** when the motor is not operating, the user can reset the display to zero by pressing the **+** and **-** buttons at the same time or by pressing the "off" button on the food processor for 2 seconds.

#### e) Standby Mode

If the food processor is not used for more than 10 minutes (motor not operating), the timer goes into Standby Mode. Standby Mode can be cancelled by pressing any button or the "on" button.

#### f) Turning off the timer:

If you do not want to use the timer, you can deactivate it by pressing the "on" and "off" buttons at the same time for several seconds.

Repeat the operation to reactivate the timer function.

## ASSEMBLY



1. With the motor base facing you, position the cutter bowl on the motor base.

Turn the bowl to the right until it locks.

2. Engage the blade on the motor shaft and lower it right to the bottom of the bowl.

Make sure that it is correctly positioned, by rotating it in the bowl.



3. Put the lid equipped with the Blixer arm on the bowl (see page 10) and turn to the right until locked in place.

The device is now ready for use.

## USES & EXAMPLES

The Blixer will enable you to perform all your cutting tasks in minimum time, we recommend therefore, that you keep a close eye on the mixture in order to obtain the desired results.

### HOSPITAL USES

#### SPOON FEEDING

- Minced foods: meat, fish... • Vegetable purees
- Mousses: vegetables, fish... • Compotes of stewed fruit

#### SEMI-LIQUID FEEDING

This simply entails diluting spoon-feeding preparations:

- Minced meat + gravy • Puree + liquid (broth, milk...)
- Soups / creamed soups • Fruit compotes + syrup or water

#### LIQUID FEEDING (for use via tubes)

- Soups and any preparations that can be liquidized.

### RESTAURANTS AND DELICATESSEN USES

- Butter mixtures: snail butter, salmon butter, anchovie butter...
- Sauces: green sauce, mayonnaise, remoulade, ailloli, emulsify sauces with tomatoes, cream, parsley...
- Grinding: lobster, scampi, seashells....

## PHARMACEUTICAL AND CHEMICAL LABORATORY USES

- Grinding: herbs, seeds, powders, tablets....
- Mixing: homogenization of creams, ointments, mixed components, varied ingredients...

## HYGIENE

At each step of food processing, the machine and attachments must be clean.

A certain order when processing foods must be followed. In general, always try to process foods that are least likely to cause cross-contamination first, as illustrated in the following example :

1. - Cooked meat
  - Terrines/mousses
  - Delicatessen
    - ham
    - smoked ham
    - sausage.
2. - Cheese
  - hard
  - other type.
3. - Vegetables.

It is vital that all parts of the machine that come into contact with food are cleaned meticulously, using a detergent/sanitiser, after each processing job.

### • WARNING: NEVER USE PURE BLEACH.

Always follow the detergent manufacturers instructions to make up the correct strength of solution; these are normally found on the detergent package, if in doubt contact your detergent supplier or manufacturer.

- If necessary rub well with a soft brush or cloth: NEVER use a harsh abrasive cleaning pad.
- Allow the detergent/sanitiser to work for the required length of time.
- Always rinse well.
- Dry well with a soft clean cloth. Only air dry if the detergent manufacturer recommends it.

## CLEANING



## WARNING

As a precaution, always unplug your appliance before cleaning it (risk of electrocution).

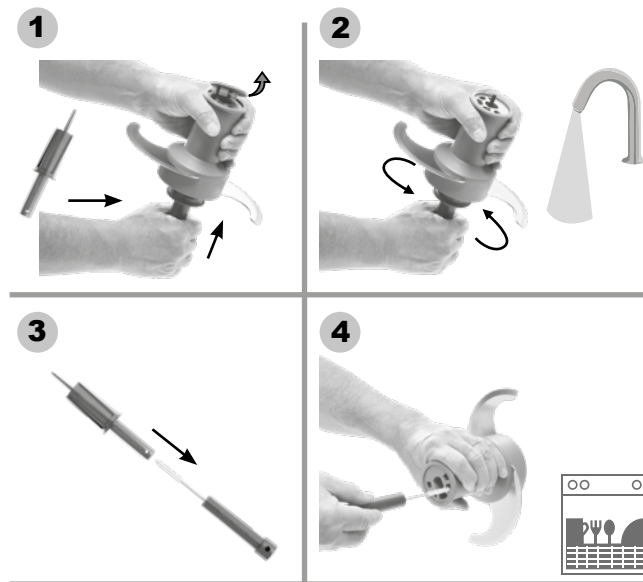
### • MOTOR BASE

Never immerse the motor base in water. Clean using a damp cloth or sponge.

### • BLADE

**Blixer® 5 - Blixer® 5 V.V.**

**Blixer® 7 - Blixer® 7 V.V.**

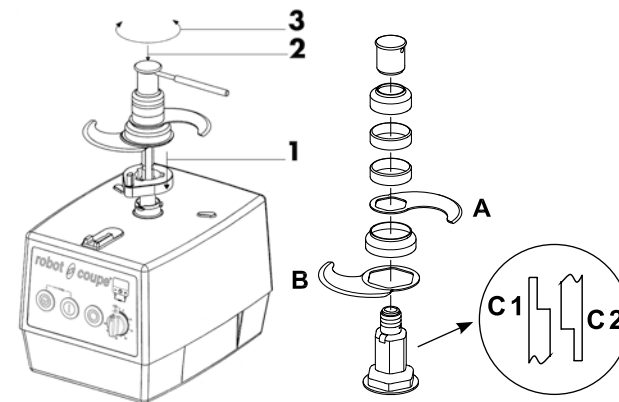


**Blixer® 7 - Blixer® 7 V.V.**

The stainless steel blade of Blixer® 7 and Blixer® 7 V.V. is easy to dismantle and to clean.

After cleaning the blade, always dry the blades well to prevent rusting.

The blade must always be removed for cleaning



Ensure power supply to machine is disconnected.

1 - Place blade dismantling tool over shaft onto motor base.

2 - Place blade on shaft.

3 - Place dismantling tool in hole over blade nut and turn anti-clockwise to unscrew. To remount, carry out operation in reverse. In both cases, blade is supported by small knob on blade dismantling tool.

**A** - Upper blade with sharp edge away from you.

**B** - Lower blade with sharp edge towards you.

**C** - Depending on space required between blades during reassembly, assemble spacers **C** as follows:

**C1** if spacer is placed above blade

**C2** if spacer is placed below blade.

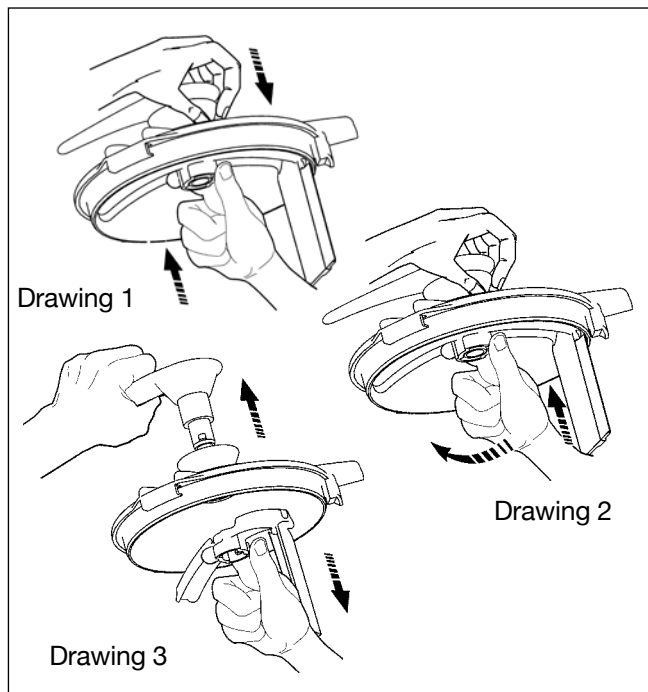
### • BLIXER ARM

To clean the Blixer arm, dismount as follows:

Hold the Blixer arm in one hand and the middle of the blade in the other (drawing 1).

Press the two pieces together and turn the handle 45° anticlockwise (drawing 2).

The two parts of the Blixer arm can then be removed from the lid for cleaning (drawing 3).



### • BOWL

After removing the lid, remove the bowl from the motor base by pushing the trigger fitted in the handle. Pull up to disengage, leaving the blade in the bowl in order to prevent any spillage when working with liquids.

If the food has a solid consistency, remove the blade and empty the bowl.

Replace the bowl, place the blade back on the shaft and switch on the machine in order to remove any mixture which may have stuck to the blade.

If you wish, you can rinse the bowl by filling it with hot water and switching on for a few minutes.

**! IMPORTANT**

**Check that your detergent is suitable for cleaning plastic parts. Some washing agents are too alkaline (e.g. high levels of caustic soda or ammonia) and totally incompatible with certain types of plastic, causing them to deteriorate rapidly.**

## MAINTENANCE

### • BLADE

The cutting quality mainly depends on the sharpness of the blades and degree of wear.

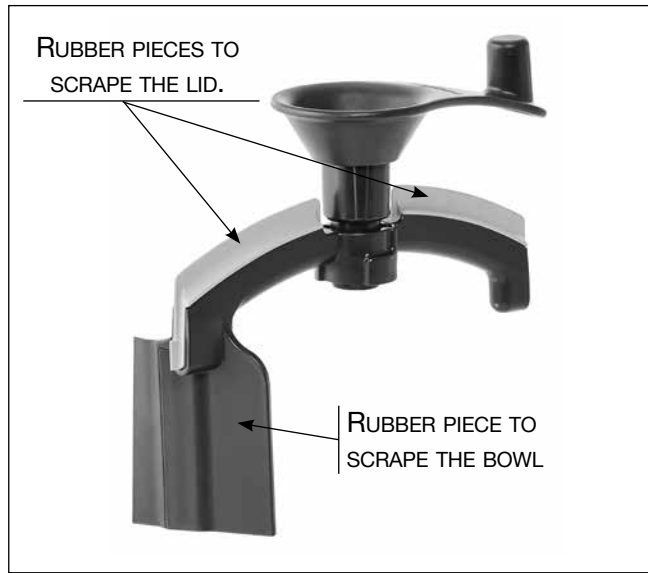
The blades are wearing parts which should be changed from time to time to ensure consistent quality of the end product.

### • BLIXER ARM

The Blixer arm has rubber pieces which are wearing parts.

They must therefore be periodically replaced to maintain optimum efficiency of the arm.

The rubber pieces are very easy to remove and remount.



### • MOTOR SEAL

In order to keep the motor completely watertight, it is advisable to check the motor seal regularly for wear and tear and replace if necessary.

The seal must be replaced once a year and once every 6 months in the case of intensive use.

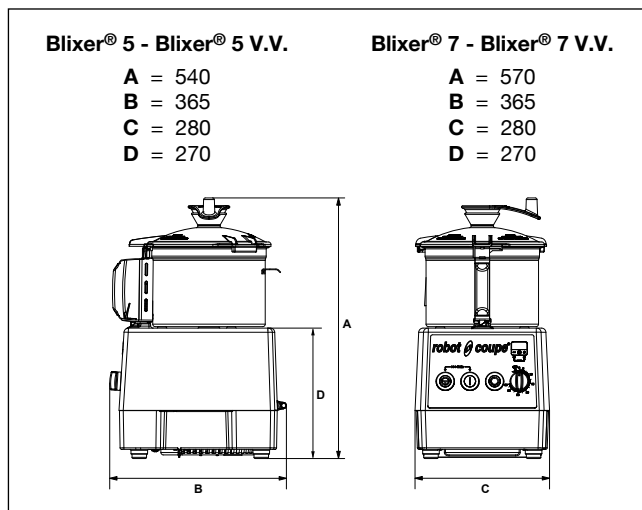
The motor seal can be easily replaced without having to remove the motor, so we strongly advise you to ensure that is in good condition.

## TECHNICAL SPECIFICATIONS

### • WEIGHT

	Net	Gross
Blixer® 5 G	21.0 kg	23.5 kg
Blixer® 5 V.V. G	21.5 kg	24.0 kg
Blixer® 7	22.5 kg	25.0 kg
Blixer® 7 V.V.	22.5 kg	25.0 kg

## • DIMENSIONS (in mm)



## • WORKING HEIGHT

We recommend that you position the machine on a stable worktop so that the upper edge of the large feed hopper is at a height of between 1.20 m and 1.30 m.

## • NOISE LEVEL

The equivalent continuous sound level when the machine is operating on no-load is less than 70 db (A).

## • ELECTRICAL DATA

The electrical installation must be configured at minimum in accordance with the nominal currents below. The protection devices must be compatible with motor starting, in order to supply the peak current required to start induction motors.

### Blixer® 5 g single-phase machine

Motor	Speed (rpm)	Intensity (Amp)
230 V / 50 Hz	3,000	8.7
220 V / 60 Hz	3,600	9.5

### Blixer® 5 g three-phase machine

Motor	Speed 1 (rpm)	Speed 2 (rpm)	Intensity (Amp)
230 x 400 V / 50 Hz	1,500		230V = 4.0 400V = 2.5
		3,000	230V = 7.0 400V = 4.0
400 V / 50 Hz	1,500		2.7
		3,000	3.4
220 V / 60 Hz	1,800		4.7
		3,600	6.5
380 V / 60 Hz	1,800		2.5
		3,600	3.4

### Blixer® 5 g V.V. single-phase machine

Motor	Speed (rpm)	Intensity (Amp)
230-120 V / 50-60 Hz	300 to 3500	5.8

### Blixer® 7 three-phase machine

Motor	Speed 1 (rpm)	Speed 2 (rpm)	Intensity (Amp)
230 x 400 V / 50 Hz	1,500		230V = 4.0 400V = 2.5
		3,000	230V = 7.0 400V = 4.0
400 V / 50 Hz	1,500		2.7
		3,000	3.4

### Blixer® 7 V.V. single-phase machine

Motor	Speed (rpm)	Intensity (Amp)
230-120 V / 50-60 Hz	300 to 3500	5.8

## SAFETY

These models are equipped with a safety system and motor brake. They cannot be turned on if the bowl and lid are not locked into place on the motor base.

To stop the motor, always use the red "Stop" button. In addition, due to the food's potential inertia depending on its nature, quantity and viscosity, combined with the associated risk of spattering, never open the lid before the motor has come to a complete stop and the preparation has stopped moving.

This will ensure the lid's seal remains watertight, thus eliminating any risk of liquid preparations spattering. Risk of burns from hot preparations.

To resume operating your machine, simply re-lock the lid into place and press the "Start" (green) or "Pulse" (black) button.

These models are equipped with a **thermal failsafe** that automatically stops the motor if it is overloaded.

In this case, wait for the machine to cool down before turning it on again.

**! WARNING**

**The blades are sharp and must be handled with care.**

**! REMEMBER**

**Never try to override the locking and safety systems.**

**Never insert an object into the container where the food is being processed.**

**Never push the ingredients down with your hand.**

**Do not overload the appliance.**

**Never switch the appliance on when it is empty.**

## DIAGNOSIS

### • LIST OF CODES DISPLAYED

When the machine is connected to the mains, a start-up code beginning with the letter “C” appears briefly.

- **Blixer® 5 G - Blixer® 7**  
**Blixer® 5 V.V. G - Blixer® 7 V.V.**

Message	Description	Solution
H01 H02 H03	Timer malfunction	Contact After-Sales.

- **Blixer® 5 V.V. G - Blixer® 7 V.V.**  
**(single-phase variable speed appliances)**

Message	Description	Solution
E01	Motor overload	Press Stop button . Start the machine again, reducing the load if necessary. If the problem persists, contact After-Sales
E02	Overvoltage	Restart the machine. If the problem persists, contact After-Sales
E03	Undervoltage	Restart the machine. If the problem persists, contact After-Sales
E08	Thermal failsafe triggered on AC drive	Let the machine cool down. Check that the vents under the motor base are not obstructed. If necessary, reduce the operating load.
E09	Safety systems	Press Stop button . If the problem persists, contact After-Sales

E12	Thermal failsafe triggered on motor	Check the stop button is not stuck or let the machine cool down for 20 minutes.
E13	During stopping of machine	A start attempt was made while the machine was stopping. Wait until the motor has stopped completely before starting again
E14	Checking of safety systems	The safety switches are not closed properly. Check that the protectors (lid, pushers, lid lock, etc.) are in the correct position.
<b>Other Message or Persistent Message</b>		<b>Contact After-Sales.</b>

- **Blixer® 5 G - 2V - Blixer® 7 (Three phase appliance)**

Message	Description	Solution
E06	Thermal failsafe	The temperature inside the motor base is too high. Turn off the machine and let it cool. Check that the vents under the base are not obstructed.
E08	Position of control buttons	The control buttons are not in the right position. Check that none of them are stuck.
E09	Thermal failsafe triggered on motor	Turn off the machine and let it cool. Check that the vents under the base are not obstructed. If necessary, reduce the operating load.
E10	Position of stop button	The contact for the stop button is not closed. Release the button. Check that it is not stuck.
E11	Checking of safety systems	Remove the parts indicated and put them back in place to reset the safety systems.

E12	Checking of bowl safety system	Remove the bowl and put it back in place to reset the safety system.
E13	Checking of pusher safety system on veg cutter	Open and close the lever on the large feed head to make sure it is properly positioned. Remove the pushers from the feed heads and put them back in place to reset the safety systems.
E14	Checking of lid safety system on veg cutter	Open then close the veg cutter lid lock to reset the safety system.
E16	Machine needs to be reset	Disconnect the machine then turn the power on again to reset. If the problem persists, have the timer checked by After-Sales.
E26	Reversed phases	When this code is displayed, two phases must be reversed so that the motor turns in the right direction. It must be anti-clockwise seen from above. This operation must be carried out by a qualified electrician. If there is a problem with this procedure, contact an approved Robot-Coupe technical service.
<b>Other Message or Persistent Message</b>		<b>Contact After-Sales.</b>

- **Blixer® 5 G - 1V (single-phase appliances)**

Message	Description	Solution
E06	Thermal failsafe	The temperature inside the motor base is too high. Turn off the machine and let it cool. Check that the vents under the base are not obstructed.
E08	Position of control buttons	The control buttons are not in the right position. Check that none of them are stuck.

E10	Position of stop button	The contact for the stop button is not closed. Release the button. Check that it is not stuck.
E12	Checking of bowl and lid safety systems	Remove the bowl and lid and put them back in place to reset the safety systems.
E16	Machine needs to be reset	Disconnect the machine then turn the power on again to reset. If the problem persists, have the timer checked by an approved Robot-Coupe technical service.
<b>Other Message or Persistent Message</b>		<b>Contact After-Sales.</b>

## STANDARDS

Consult the declaration of compliance on page 2.

*robot*  *coupe*®

**ELECTRICAL AND  
WIRING DIAGRAMS**

# BLIXER 5 G - BLIXER 7 - R 5 G - R 7 - R 502 G - R 752

200V-230V-400V/50Hz - 220V-380V-440V/60Hz - 3~

	Français	English	Deutsch
BPA	Bouton Poussoir ARRET	OFF Switch	Stoppschalter
BV1	Bouton Poussoir MARCHE Vitesse 1	Low Speed Switch	NiedrigerGeschwindigkeit-Druckknopf
BV2	Bouton Poussoir MARCHE Vitesse 2	High Speed Switch	Hochgeschwindigkeits-Druckknopf
BPP	Bouton Poussoir PULSE	PULSE Switch	Impulsschalter
DT	Coupe-Circuit 10 A	Circuit-Breaker 10 A	Ausschalter 10 A
ISCL	Interrupteur de Sécurité Poussoir Coupe-Légumes	Pusher Safety Switch Vegetable Slicer	Sicherheitsschalter Stössel Gemüseschneider
ISCO	Interrupteur de Sécurité Couvercle Coupe-Légumes	Lid Safety Switch Vegetable Slicer	Sicherheitsschalter Deckel Gemüseschneider
ISCU	Interrupteur de Sécurité Cutter	Cutter Lid Safety Switch	Sicherheitsschalter Messerdeckel
MI	Minuterie	Timer	Timer
MO	Moteur	Motor	Motor
P	Carte de Commande N°49484/114600	Printed Circuit Board N°49484/114600	Leiterplatte N°49484/114600
PTO	Protection Thermique Moteur	Motor Thermal Protector	Motor Thermoschutz

**⚠**  
 Vérifier que le fil d'adaptation à la tension de votre réseau est correctement positionné (voir tableau ci-dessous).  
 Check that the wire which allows the adaptation to the supply voltage is on the right terminal (see table below).  
**Unbedingt prüfen, ob der Draht zur Anpassung an die Spannung Ihres Stromnetzes korrekt positioniert ist (siehe Tabelle unten).**

**A partir de / From / Von**  
**Blixer 5 G** ..... : M82001111XX  
**Blixer 7** ..... : M82601111XX  
**R 5 G** ..... : M81701111XX  
**R 7** ..... : M82401111XX  
**R 502 G** ..... : M81401111XX  
**R 752** ..... : M82201111XX

**▲**  
**Interrupteurs de sécurité et configuration**  
**Safety switches and configuration**  
**Sicherheitsschalter und Konfiguration**

C	Machine Maschine	ISCL	ISCO	ISCU
C1	R 502 G	✓	✓	
	R 752			
C3	R 5 G	*	*	✓
	R 7			
C5	BLIXER 5 G	*	*	
	BLIXER 7			

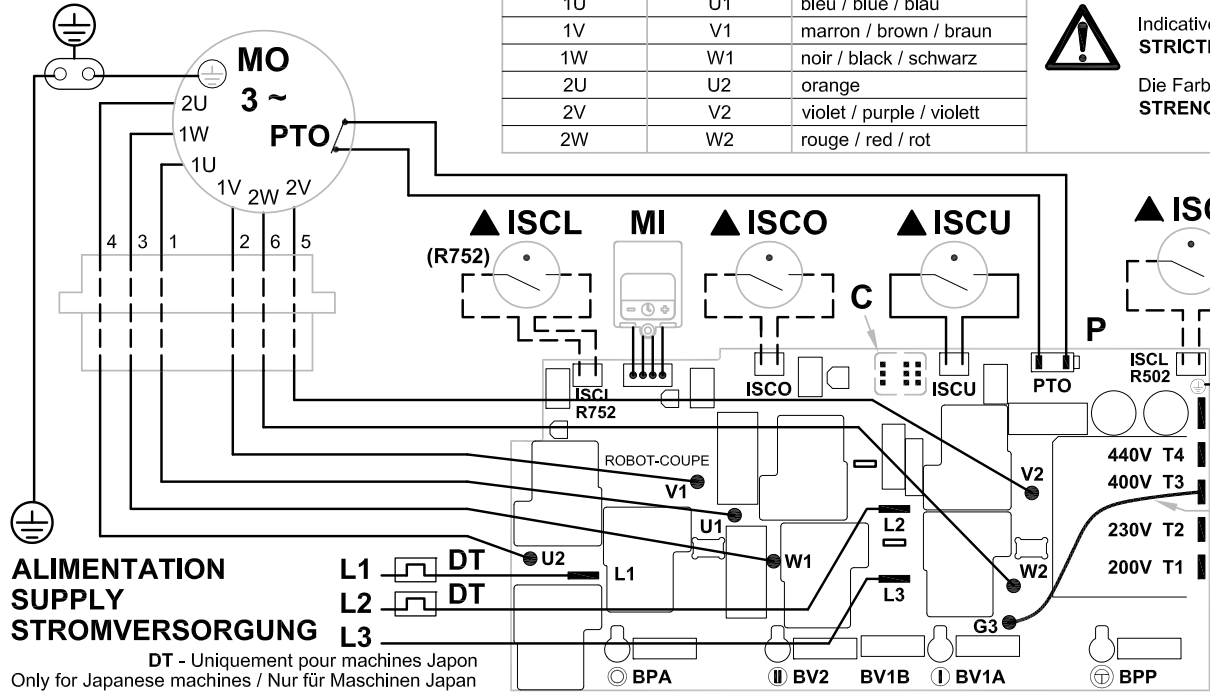
\* Non utilisé / Not used / Nicht Benutzt

**⚠** Vérifier le sens de rotation.  
 Check direction of rotation.  
 Drehrichtung prüfen.

**Fils moteur / Motor wires / MotorKabel**

Repère / Marking / Markierung		Couleur / Color / Farben
<b>MO</b>	<b>P</b>	
1U	U1	bleu / blue / blau
1V	V1	marron / brown / braun
1W	W1	noir / black / schwarz
2U	U2	orange
2V	V2	violet / purple / violett
2W	W2	rouge / red / rot

**⚠**  
 Couleurs indicatives.  
 Respecter **IMPERATIVEMENT** les repères.  
 Indicative colors.  
**STRICTLY** respect the markings.  
 Die Farben sind richtwerte.  
**STRENG** respektieren die Markierungen.



**ALIMENTATION**  
**SUPPLY**  
**STROMVERSORGUNG**

DT - Uniquement pour machines Japon  
 Only for Japanese machines / Nur für Maschinen Japan

**⚠** A commuter suivant la tension d'alimentation.  
 To switch according to the supply voltage.  
 Umschalten gemäß Stromspannung.

Tension d'alimentation Supply voltage Stromspannung	Connexion Terminal Anschluss
200 V	200 (T1)
220 -> 240 V	230 (T2)
380 -> 415 V	400 (T3)
440 V	440 (T4)

**C Configuration - Konfiguration**

Utiliser le cavalier de configuration adapté à la machine  
 Use the correct configuration jumper for the machine.  
 Verwenden Sie die richtige Konfiguration Brücke für die Maschine

Combinés	C1	C3	C5
	ON	ON	ON
	OFF	OFF	OFF



N° 406295 (d)

Maj : 03/22



R 5 V.V.G - R 7 V.V. - Blixer® 5 V.V.G - Blixer® 7 V.V. - R 502 V.V.G - R 752 V.V.

200-240V/50-60Hz 1~

SCHEMA ELECTRIQUE

ELECTRIC DIAGRAM

ELEKTRISCHES SCHALTBILD

	Français	English	Deutsch
BPA	Bouton poussoir ARRET	OFF switch	Stopschalter
BPM	Bouton poussoir MARCHE	ON switch	Betriebsschalter
BPP	Bouton poussoir PULSE	PULSE switch	Impulsschalter
CB	Carte boutons réf. 49468	Switches card ref. 49468	Schalteren Karte. Numer 49468
CC	Carte capteur vitesse réf. 102920S	Speed sensor circuit ref. 102920S	Kaptor Karte. Numer 102920S
ISCL R 502	Interrupteur de Sécurité Poussoir Coupe-Légumes	Pusher safety switch vegetable slicer	Sicherheitsschalter Stössel Gemüseschneider
ISCL R 752	Interrupteur de Sécurité Poussoir Coupe-Légumes	Pusher safety switch vegetable slicer	Sicherheitsschalter Stössel Gemüseschneider
ISCO	Interrupteur de Sécurité Couvercle Coupe-légumes	Feed lead safety switch vegetable slicer	Sicherheitsschalter Deckel Gemüseschneider
ISCU	Interrupteur de Sécurité Cutter	Cutter lid safety switch	Sicherheitsschalter Messerdeckel
MI	Minuterie	Timer	Timer
MO	Moteur	Motor	Motor
V	Variateur réf. 39972	Variator ref. 39972	Variator Numer 39972
PTO	Protecteur thermique intégré au moteur	Thermal protector integrated in the motor	Thermoschutz im Motor integriert

A partir de / From / Von

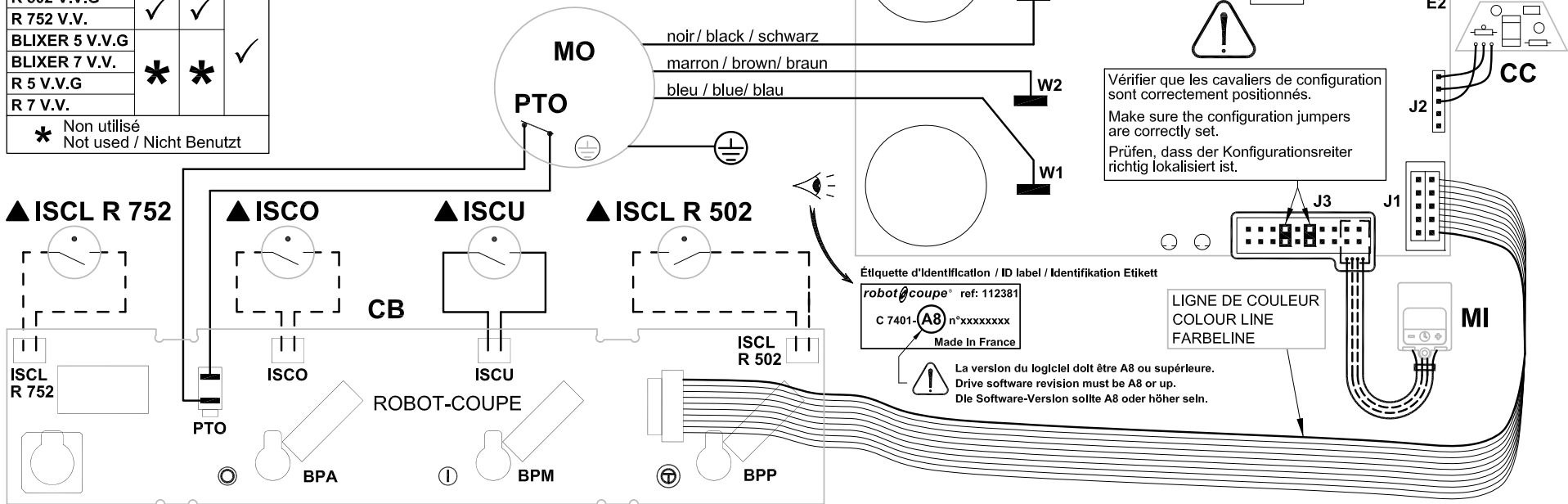
- R5 V.V. G ..... : M8180111101
- R7 V.V. .... : M8250111101
- Blixer 5 V.V.G : M8210111101
- Blixer 7 V.V. .... : M8270111101
- R502 V.V.G ..... : M8150111101
- R752 V.V. .... : M8230111101

ALIMENTATION SUPPLY STROMVERSORGUNG

▲ Interrupteurs de sécurité Safety switches Sicherheitsschalter			
	ISCL	ISCO	ISCU
R 502 V.V.G	✓	✓	
R 752 V.V.			
BLIXER 5 V.V.G			✓
BLIXER 7 V.V.	*	*	
R 5 V.V.G			
R 7 V.V.			

\* Non utilisé / Not used / Nicht Benutzt

▲ Vérifier le sens de rotation. Check drive shaft rotation. Drehrichtung prüfen.





**robot coupe**®

**Head Office, French,  
Export and Marketing Department:**

48, rue des Vignerons  
94300 Vincennes - France  
Tel.: 01 43 98 88 15  
Email: [international@robot-coupe.com](mailto:international@robot-coupe.com)

**Robot Coupe  
Australia Pty Ltd:**

Unit 3/43 Herbert St  
Artarmon NSW 2064 Australia  
Tel.: (02) 9478 0300  
Email: [orders@robotcoupe.com.au](mailto:orders@robotcoupe.com.au)

**Robot-Coupe  
U.K. LTD:**

Fleming Way, Isleworth,  
Middlesex TW7 6EU  
Tel.: 020 8232 1800  
Email: [sales@robotcoupe.co.uk](mailto:sales@robotcoupe.co.uk)



37002314451663

Réf.: 451 663 - 25/04/2023