



RATIONAL accessories.

Tough. Durable.
Resilient.



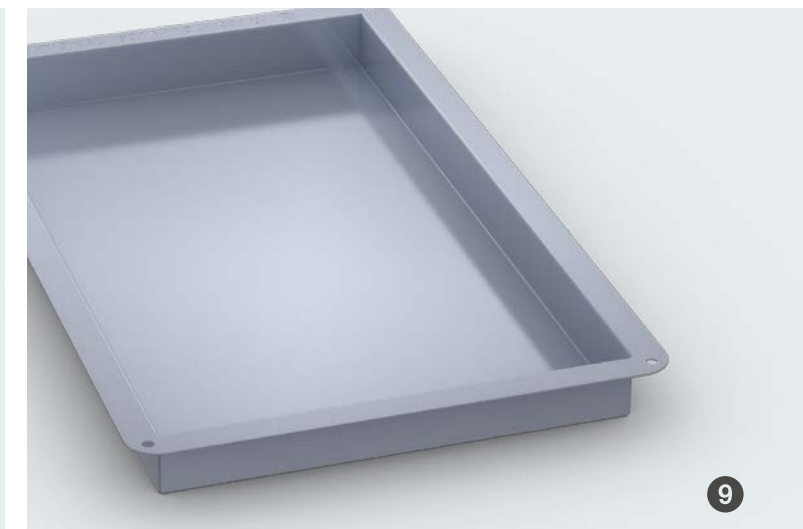
Hot. Buttery. Fully loaded.

iCombi accessories
can really handle a lot.

Whether they're grill and pizza trays, mobile oven racks, CombiFry baskets, or recirculating hoods, we expect our RATIONAL accessories to be robust enough to withstand tough everyday kitchen use, so that you can enjoy the exceptional performance of the iCombi Pro and iCombi Classic to the fullest. The right accessories ensure pre-fried convenience products, chicken, baked goods, and grilled vegetables turn out perfectly every time. Even steak comes out with perfect grill marks. So you can get the most out of your cooking system. With no stubborn dirt, inconvenient damage or overheated accessories standing in your way.

• **Durable accessories**

So everything turns out just how you pictured it. Again and again.



Grilling and roasting.

Higher productivity, better results.

TriLax coating

RATIONAL's TriLax-coated accessories are designed with grilling, roasting and baking in mind. They feature exceptional heat conductivity, and can be used at temperatures of up to 572 °F. Their robust non-stick coating supports browning.

1 Roasting and baking tray

The universal tray for meat, fish, poultry, roast potatoes, baked goods, vegetables, and much more. For juicy, delicious food with a beautiful crust.

2 Grilling and searing plate

For tender, juicy grilled meat, fish, or vegetables. Grilling side creates traditional grill marks; roasting side features a peripheral lip for pan-frying products. The perfect addition to your a-la-carte operations.

3 Grill and pizza tray

The baking side is perfect for fresh or frozen pizzas and other flatbreads. The grilling side works great on meat, fish, or vegetables.

4 Multibaker

Perfect portioning and consistent product sizes on fried eggs, omelettes, hash browns, and tortillas.

5 Diamond and grill grate

Create classic single-stripe grill marks with one side or a steakhouse-style diamond pattern with the other. Extremely robust and long-lasting. No preheating necessary.

6 CombiGrill

For preparing large quantities of grilled products. No need to preheat the grill.

7 Loading aid

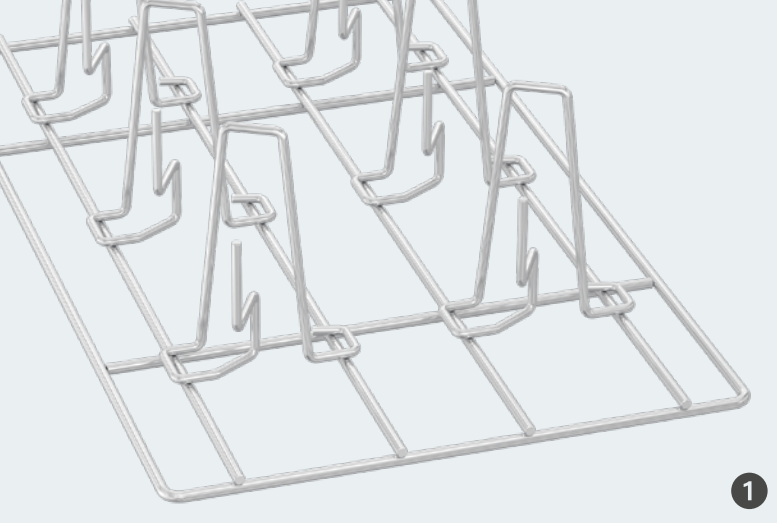
Pairs perfectly with the CombiGrill. For thin grilled products like minute steaks or grilled vegetables. Place the food on the loading aid, then lay it onto the hot CombiGrill and remove later.

8 Roasting and baking pan

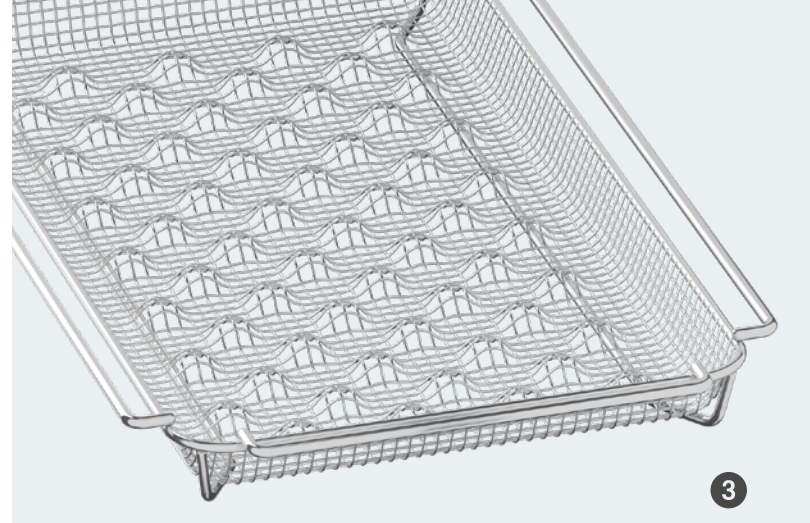
For classic pan dishes like hash browns, tortilla, quiche, pancakes, or small cakes or tarts. Corrugated underside distributes heat quickly. Carrier trays are available for easy handling.

9 Granite-enameled containers

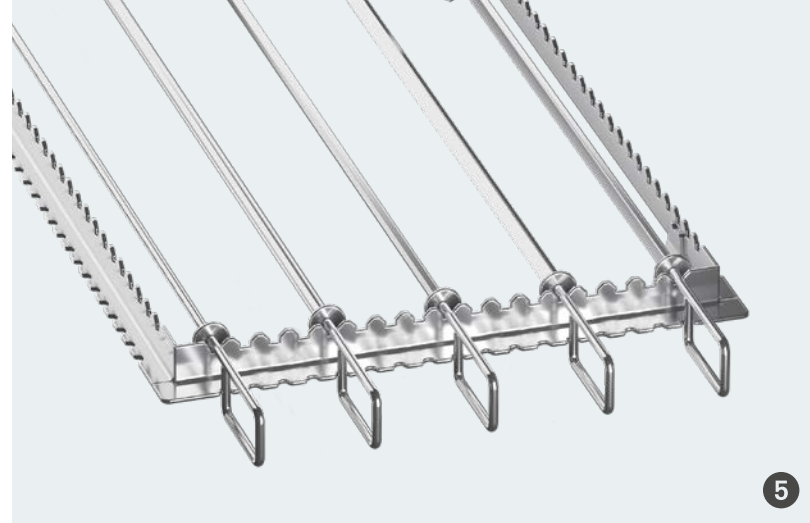
Fully formed corners, so all portions are equal in size. Their excellent heat conductivity makes them ideal for roasting, braising, pan-frying and baking. Practically indestructible.



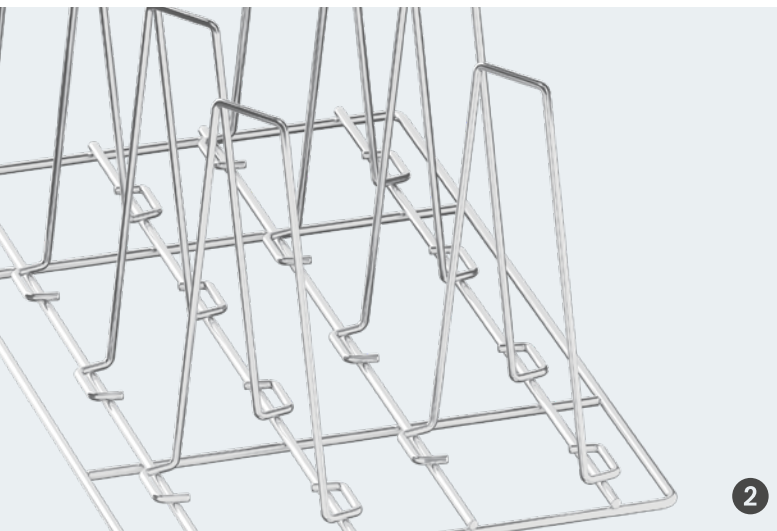
1



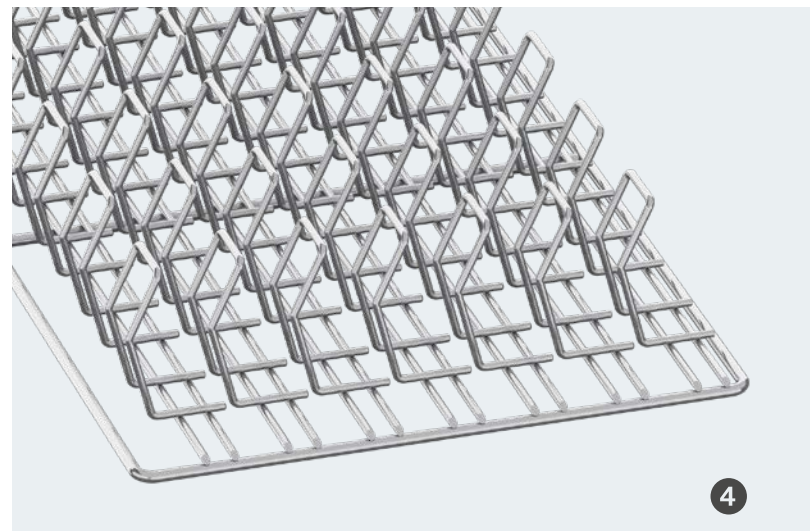
3



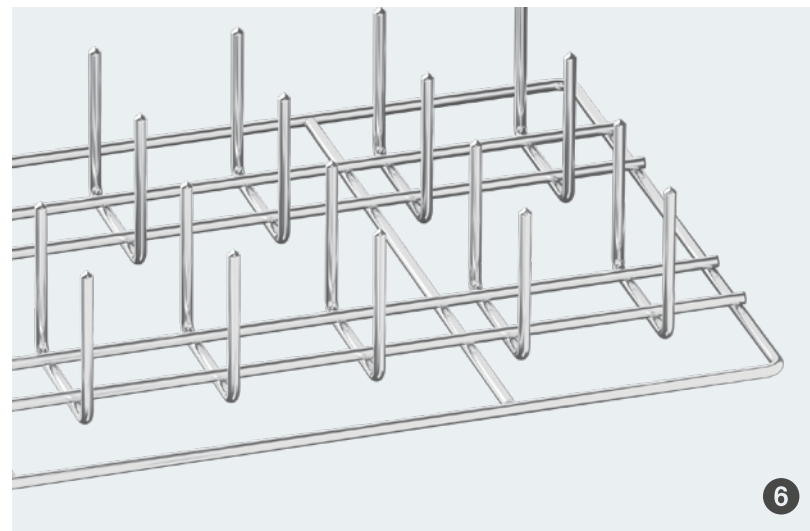
5



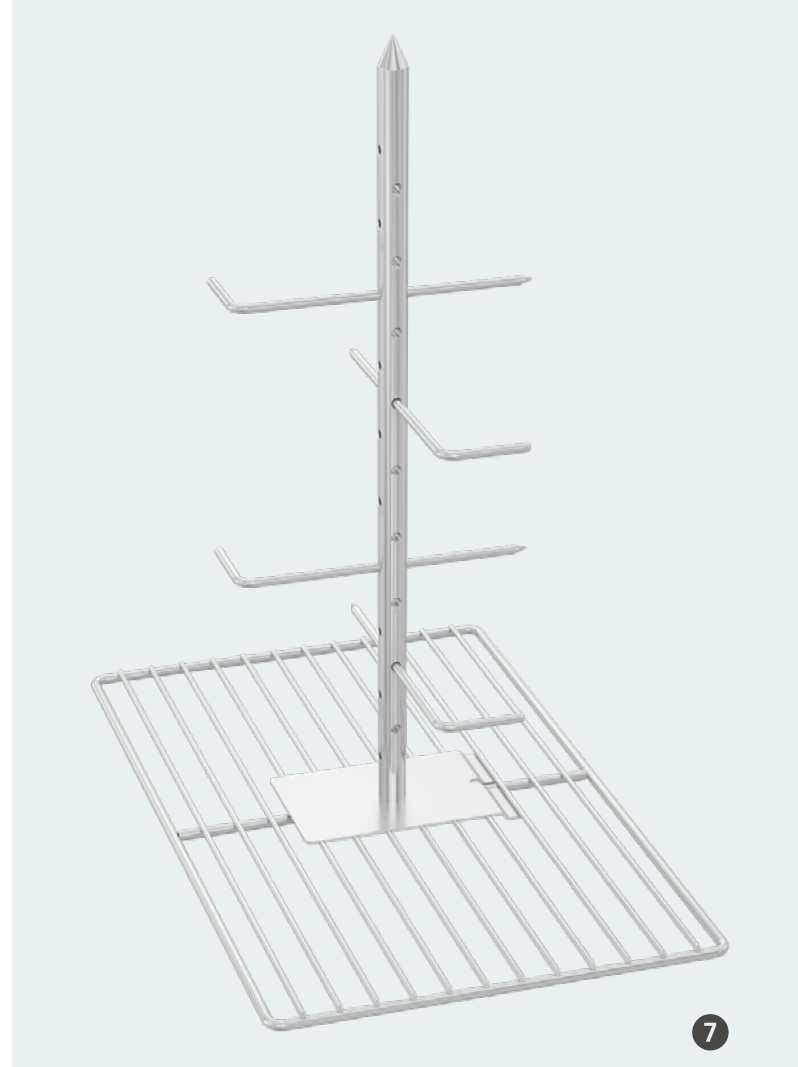
2



4



6



7

Special applications.

For that little extra something.

1 2 Chicken and duck superspike

Arranges poultry vertically to create a chimney effect, which significantly shortens cooking times. Yields especially juicy breast meat and uniformly browned skin.

3 CombiFry

Prepare large quantities of pre-fried products like fish sticks, French fries or tater tots without extra oil. Healthy and delicious.

4 Rib rack

Arranges spareribs vertically to make optimum use of the unit; each grid can hold up to 6 racks.

5 Grill and tandoori skewers

Skewers of different diameters with round, square or triangular cross-sections, for preparing meat, fish, poultry, or vegetables.

6 Potato Baker

Prepare baked potatoes without aluminum foil, or corn on the cob up to 50%* faster.

*compared to conventional cooking technology

7 Lamb and suckling pig spit

Allows easy preparation of whole lambs or suckling pigs weighing up to 66 lbs.



Baking.

How quality craftsmanship happens.

❶ Roasting and baking pan

Great for small cakes, such as Tarte Tatin. Corrugated underside helps distribute heat quickly across the entire bottom. With specially shaped carrier trays for easy handling are available.

❷ Roasting and baking tray

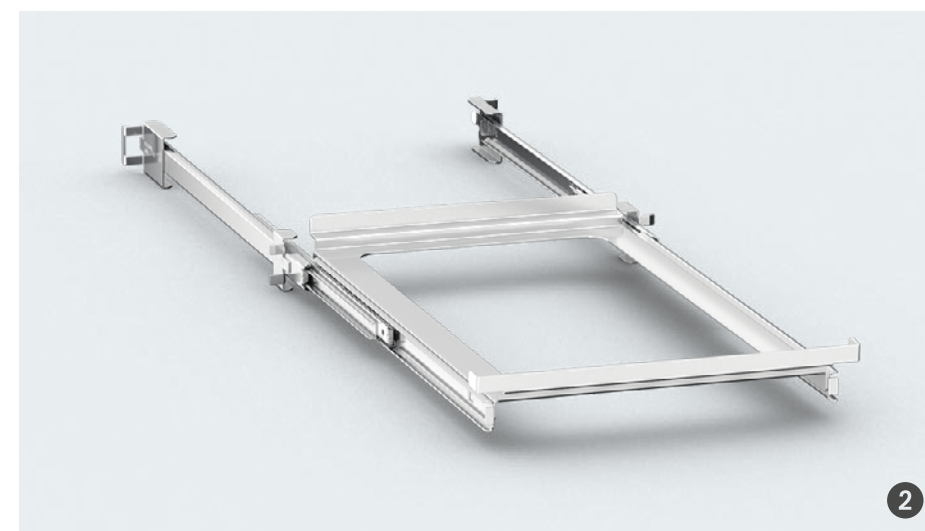
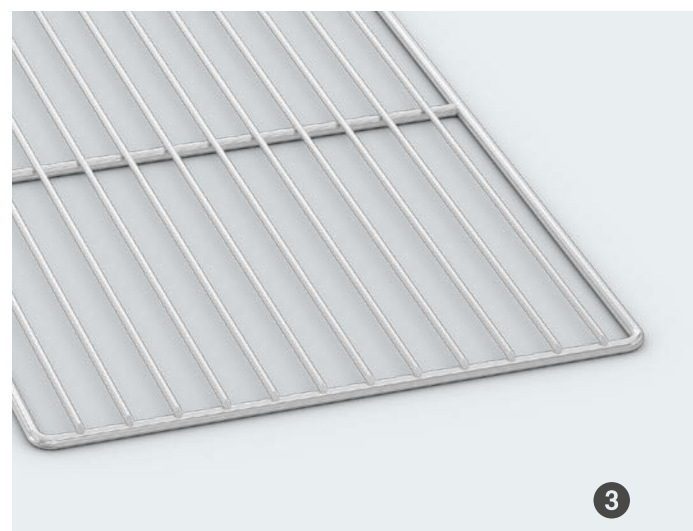
The universal baking genius: Hard rolls, croissants, Danishes and more – uniformly browned, crisp crusts, soft and fluffy inside.

❸ Perforated baking tray

Ideal for bread, rolls and pretzels, as well as for producing all types of pre-baked products.

❹ Granite-enameled containers

The corners of the containers are fully contoured to prevent lost portions when baking cakes or brownies. Excellent heat conductivity ensures light, fluffy sheet cakes and uniform browning.



Gastronorm accessories.

Standardized improvement.

❶ Perforated containers

Use this versatile, robust, and durable accessory to steam vegetables, dumplings and other products. Maximum perforation ensures that food steams evenly, preserving its color and nutritional value.

❷ Containers

RATIONAL's stainless-steel containers have walls up to 33 % thicker than standard containers. The thicker walls provide durability, maximum stability even with large fill quantities, and comfortable handling with no sharp edges.

❸ Grid

Perfect for cooking large roasts or supporting smaller containers or sheet pans. Made of extremely stable, long-lasting stainless steel.

Extras.

Even more possibilities.

❶ VarioSmoker

Delicious smoked flavor without a traditional smoker, directly out of the iCombi Pro. The VarioSmoker gives meat, fish, and vegetables a natural smoked flavor, which you can adjust freely to fit your tastes. Even low-temperature smoking is no problem. The iCombi Pro's intelligent cooking paths regulate the VarioSmoker via USB connection to guarantee perfect cooking and smoking results.

❷ Pull-out rails

Allows cooking accessories to be pulled out easily, facilitating quick loading and unloading of food in à la carte operations.

❸ Sous vide and pasteurization kit

The special extra-thin sous vide and pasteurization core temperature probe precisely controls the process of reaching the core temperature within the bag, without disrupting the vacuum seal. Extend shelf life without losing flavor. A single accessory for numerous applications, flexible (9 additional, intelligent sous-vide and pasteurization cooking paths) and easy to use.

❹ Externally connectible core temperature probe

The externally attachable core temperature probe can be used in place of the internal core temperature probe.



Finishing.

Separate production and output completely.

1 Banquet system

Whether you're preparing twenty, one hundred, or several thousand meals, Finishing ensures they'll turn out perfectly with no stress, no hectic rush, and no additional staff. Simply plate the food cold and then store the plates chilled on the mobile plate rack. Then, just before serving, you can bring the plates up to temperature at the same time. The Finishing system includes all the accessories you'll need to get started (mobile plate rack, Thermocover, transport trolley).

2 Mobile plate rack

Made of high-quality stainless steel, perfectly dimensioned for the units. For quickly loading and unloading up to 100 plates into and out of the iCombi Pro 20-full size (up to 12 1/4" in diameter).

3 Thermocover

Made of special insulating material to keep food hot for up to 20 minutes after Finishing. Simple magnetic closure for quick opening and closing. Also easy to clean and store.

4 Run-in rails

Allows quick, ergonomic loading and unloading of mobile oven racks or mobile plate racks. Required for Type 6-half size, 6-full size, 10-half size and 10-full size tabletop units. Run-rails for single units and combi-duos are different.

5 Transport trolley

Easy loading and unloading of mobile oven or plate racks to and from tabletop units. Large, quiet, hygienic tandem casters ensure safe transport of food. Adjusted to fit stand height. Height-adjustable version for work tables.

6 Transport trolley for Combi-Duo

Allows both units to be loaded and unloaded safely in a single process. Requires two separate run-in rails for Combi-Duo.



Combi-Duo.

Double the performance, using less space.

1 Combi-Duo

Two units, simply stacked and combined. When you're grilling and steaming at the same time in a tight space, and your to-do list isn't getting any shorter, you'll have two stacked units at your disposal – and if you prefer, you can control both using the top unit. Greater convenience. Greater flexibility.

2 Integrated fat drain kit for Combi-Duo

Catches grease reliably as it drips within the cooking cabinets, and directs it into grease collection containers. Different versions available to fit different installation combinations.

3 Installation options for Combi-Duo

Our high-quality stainless steel stands keep your units secure and aligned.

Installation options:

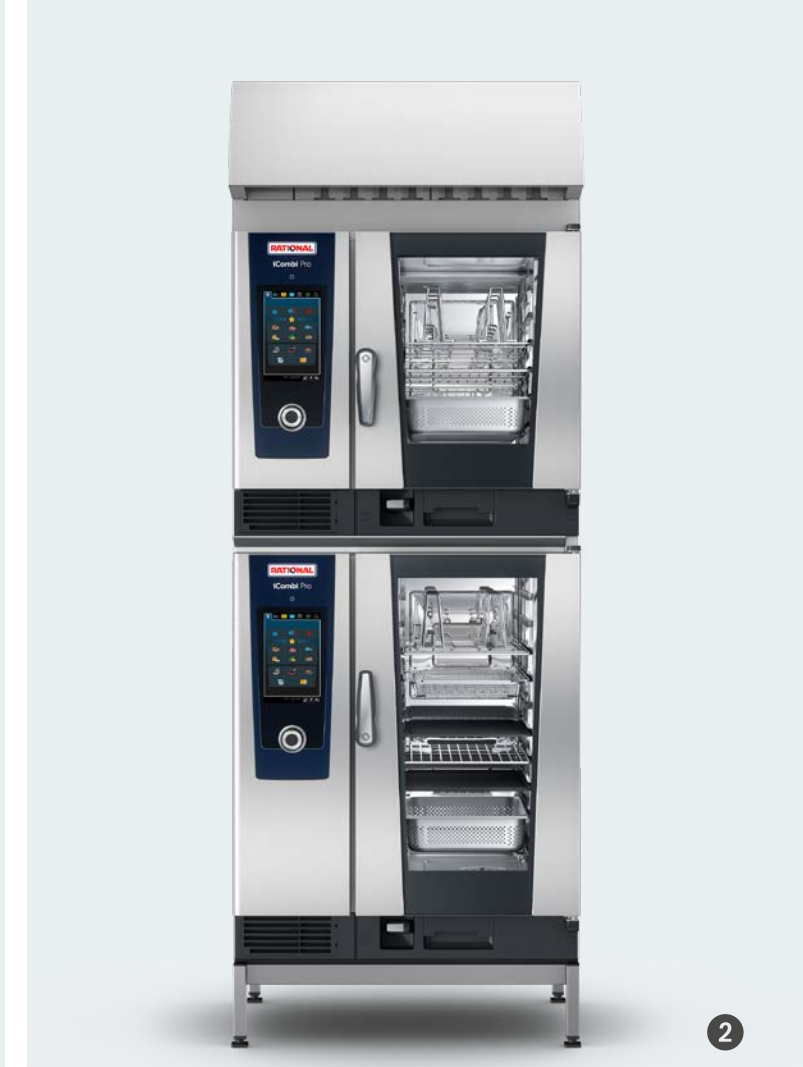
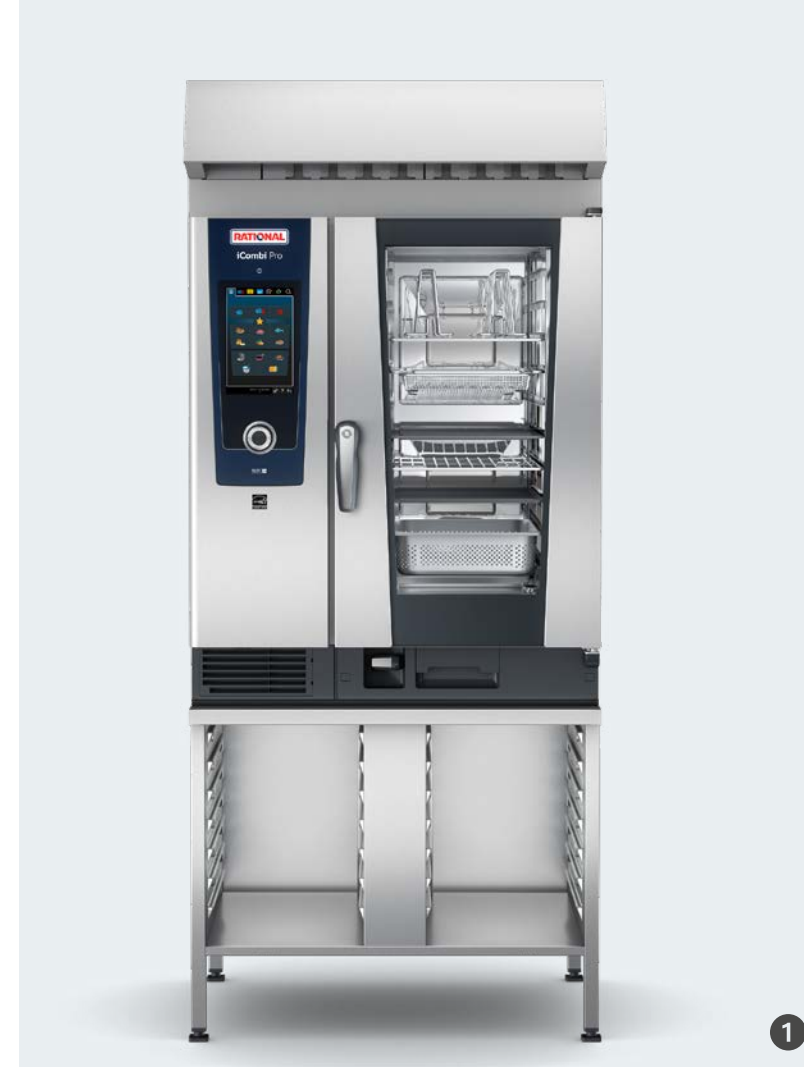
- › Mobile kit with rollers for service access, easy cleaning, and low top rack height.
- › Stationary installation with Stand I for Combi-Duo.
- › Mobile installation with Stand I for Combi-Duo with swivel casters and locking brake.

Stands.

Secure. Space-saving. Practical.

4 Leveling kit and stands

To install your RATIONAL unit safely and keep it level, we offer a variety of stable, high-quality stainless steel stands – open, with closed sides, or fully closed with doors. Supporting rails provide a space-saving storage solution for accessories. The stable casters and locking brakes on our mobile models let you position your unit anywhere in the kitchen. All of our stands conform to applicable hygiene regulations.



Setup options.

Now that's practical.

❶ Integration kit for iCombi Pro XS

This integration kit is perfect for integrating small units into your display cooking area – because looks count. It provides space for a hood, so you can install an UltraVent or an UltraVent Plus, depending on your needs. The kit includes front paneling to prevent dirt and grime from building up in hard to reach areas.

❷ MobilityLine floor units (Type 20-half size, 20-full size)

Floor units can be maneuvered when secured to this special frame with four robust casters and a locking brake.

❸ MobilityLine tabletop units (Type 6-half size – 10-full size)

Tabletop models can be screwed onto the MobilityLine stand II. Handles on either side protect the cooking system and facilitate movement together with the large, stable casters.

Recirculating technology.

For a pleasant working environment.

All recirculating hoods

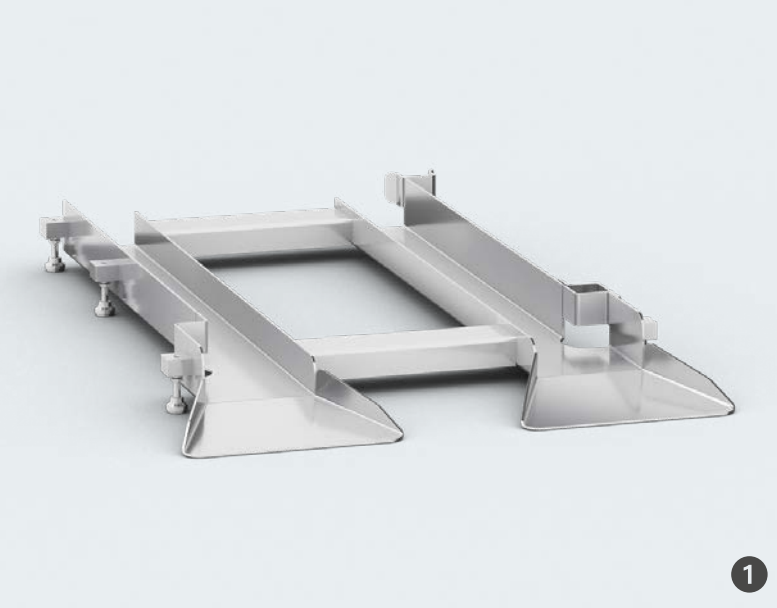
- › have a timeless, modern look
- › feature easy-to-clean front panels, including a removable scoop
- › regulate their extraction power to fit the situation (when the door is opened, for example) using intelligent, infinitely variable fan speed adjustment. Installation is simple, and retrofitting is always possible.

❶ UltraVent

The UltraVent uses condensation technology to trap steam and vapors. An additional external connection or extension to an existing exhaust air system is not required for this air-recirculation hood.

❷ UltraVent Plus

In addition to UltraVent condensation technology, the UltraVent Plus is also equipped with special filter technology to capture and condense steam as well as the bothersome smoke created when grilling and roasting. This allows the placement of RATIONAL units in more demanding environments, such as in front cooking areas.



1



2



3



4



5



6



7

Installation accessories.

A solution for every challenge.

1 Trolley ramp

The trolley ramp compensates for kitchen floors that are slanted by up to 3 %, so the mobile oven rack can be rolled into an iCombi Pro floor unit smoothly, with no risk of impact.

2 Unit and mobile rack elevation

Raises a floor unit by 2 3/4". The mobile rack will need to be adjusted to fit the height of the unit.

3 Heat shield for left and right side panels

Retrofitting the heat shield allows users to place sources of radiant heat (e.g., grills) near the left or right side panel.

5 Handle holder for mobile rack

Provides a place to store the mobile rack handle for easy access (included in delivery with floor units).

6 Condensation breaker

Accelerates expulsion of steam and other vapors from the vent pipe. Steam and vapors can thus be directed through a pipe into an exhaust hood.

7 Wall mount

For space-saving wall-mounted installation. The anchor and the anchoring material (not included) should be used in consultation with an architect/structural engineer and the building owner for XS and model 6-half size.

8 Table extension

Prevents dirt and water collection by sealing the protruding underside of the cooking system when installing an iCombi Pro 6-half size or 10-half size on a 27 1/2" deep work surface.



1



3



5



7



9



2



4



6



8



10

Care products.

Hygienically clean.

1 Active Green cleaner tabs (for iCombi Pro and iCombi Classic)

Clean unit, clean environment: Our new cleaner tab formula is phosphate- and phosphorous-free, and reduces the quantity of cleaning chemicals required by up to 50%*. Without compromising on cleaning power or hygiene. Allows ultra-fast interim cleaning of the iCombi Pro in around 12 minutes.

2 Cleaner tabs (for all SelfCookingCenter and CombiMaster Plus models)

Concentrated, high-yield cleaner tabs with a high-intensity active agent complex to maximize cleaning power.

3 Care tabs (for iCombi Pro, iCombi Classic and SelfCookingCenter models with Efficient CareControl)

Care substances provide active protection against limescale in the steam generator and the cooking cabinet before they can even develop, which extends the life of the unit. Reliable operation without water softening and expensive descaling.

4 Rinse aid tabs (for SelfCookingCenter models without Efficient CareControl and CombiMaster Plus)

Active protection and extended product life thanks to highly effective care substances. The cooking cabinet is left hygienically clean and sparkling.

5 Grill cleaner (for all CombiMaster and ClimaPlus Combi models)

Liquid detergent for hygienic cleanliness and care.

6 Liquid rinse aid (for ClimaPlus Combi models with CleanJet)

7 Descaler (for SelfCookingCenter models without Efficient CareControl, CombiMaster, ClimaPlus Combi)

Special care substances provide effective descaling of the steam generator.

8 Hand spray gun

Made of durable plastic; robust and easy to use.

The integrated pump mechanism generates pressure so that you can spray liquid detergent or rinse aid wherever you need it with just a push of a button.

9 Active Green cleaner cartridges for iCombi Pro with iCareSystem AutoDose option

The cleaner cartridge combines all the familiar advantages of the Active Green cleaner tab with an integrated storage feature.

Additional benefits:

- > 50% less plastic waste
- > Recyclable 100% PP cartridges
- > Approx. 80% less packaging volume*

10 Care cartridges for iCombi Pro with iCareSystem AutoDose option

Care cartridges combine all the familiar advantages of Care tabs with a integrated storage feature.

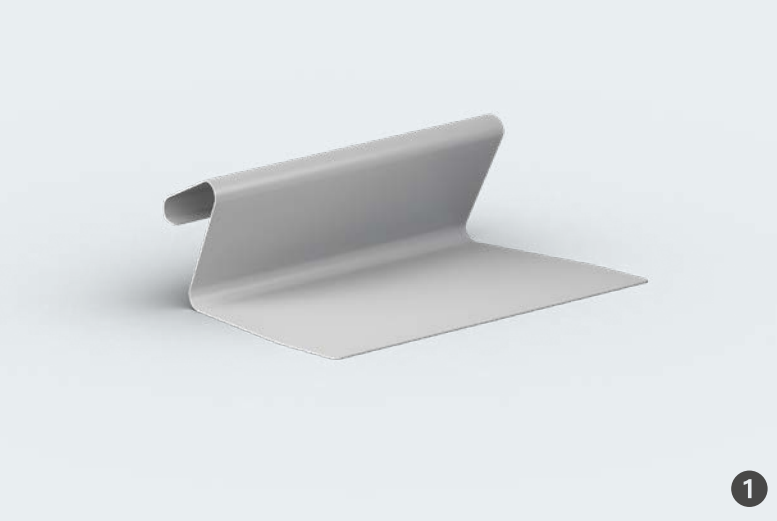
*compared to the previous model



Practical. Robust. Essential.
The right ingredients
for iVario.

Efficiency and simplicity, creativity and variety, quantity and quality – iVario accessories need to do a lot. And withstand a lot. That's true of our boiling and frying baskets, our pan base racks, our VarioMobils, and our scoops. And only those that meet our high standards can call themselves RATIONAL accessories. So you'll always be sure that you can get the cooking results you want. So that your pasta, stews, and desserts really will turn out perfectly. And so the cleaning crew has as little to do as possible.

➔ **The recipe**
Sophisticated accessories that make work easier and produce quality results.



1



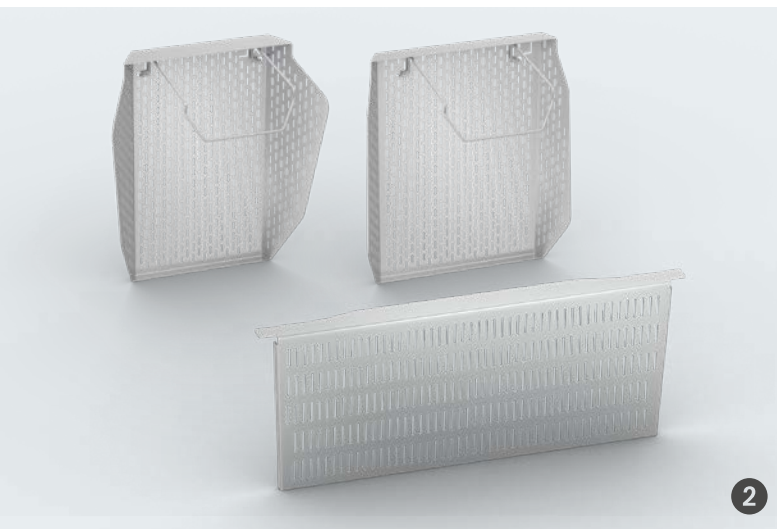
3



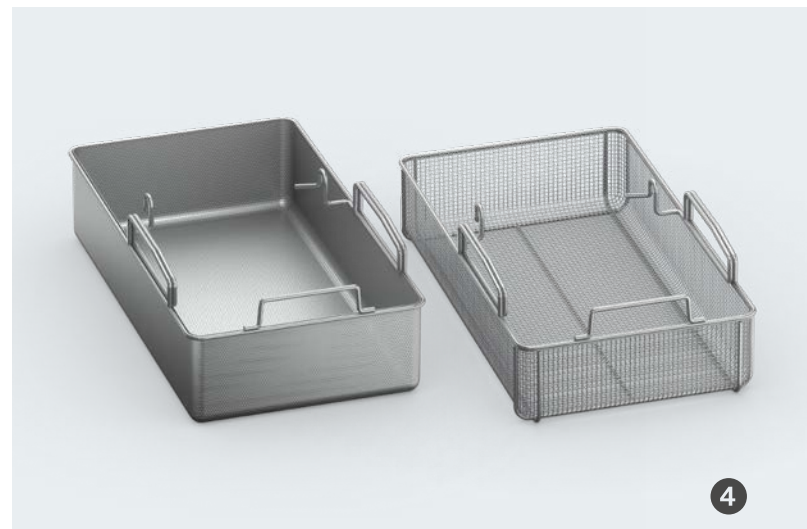
5



7



2



4



6



8

The basis for everything.

So that you can work more quickly, more efficiently, more ergonomically.

1 Spatula

Easy, ergonomic tool for turning and removing food. Also perfect for rolling and handling desserts and egg dishes, such as pancakes, crepes, and omelets. Sophisticated design – lightweight, yet stable.

2 Strainer

Strainers to hold back loose boiled products while liquid is being drained out. Attach the Strainer to the front of the pan. Liquid can be drained using the integrated pan valve, or the pan can be tilted to catch the liquid.

3 Long spatula

For removing food from the pan base, as well as turning, portioning, and stirring.

4 Boiling and frying baskets

Attach the baskets to the automated lifting and lowering arm, and then load them. At the end of the cooking process, the basket is lifted out of the cooking liquid automatically, draining the product and allowing for easy unloading. Also suitable for smaller products like rice. Nothing needs to be poured out, so water can be reused multiple times.

5 1/3 GN perforated basket

Ideal for preparing up to 11lb of long pasta, such as spaghetti and linguine, as well as for preparing larger quantities of vegetables in à la carte operations. The 1/3 GN basket is compatible with the portion basket frame and can also be placed directly into the pan without a frame. The iVario 2-XS can hold up to two 1/3 GN baskets, while the iVario Pro 2-S can hold up to three.

6 Scoop

Durable, reinforced, and heat resistant for safe and easy portioning. Light, impact resistant, scratch resistant, and withstands temperatures of up to 482 °F. Available in perforated or solid.

7 Arm for automatic raising and lowering

The arm for the automatic lifting and lowering mechanism is attached to the lid. AutoLift lifts the products out of the cooking liquid. Boiled, fried, and poached food comes out perfectly cooked. The iVario Pro XL holds up to three large boiling or frying baskets.

8 Pan base rack

Used to avoid direct contact between food and pan base, such as for low temperature cooking. Set the rack on the bottom of the pan and then place the food onto it.



Special applications.

The high art of cooking.

1 Portion basket kit

Kit with perforated or solid portion baskets 1/6 GN, including lids (for non-perforated baskets only) and frame. The frame can hold 1/3, 1/6, and 1/9 GN containers. Perfect for boiling, deep-frying, or holding small quantities of food in restaurants, hotels, and the service industry. Place the frame directly on the edge of the pan. Lids prevent the products from cooling and forming a skin.



Transport.

From A to B, effortlessly. And back again.

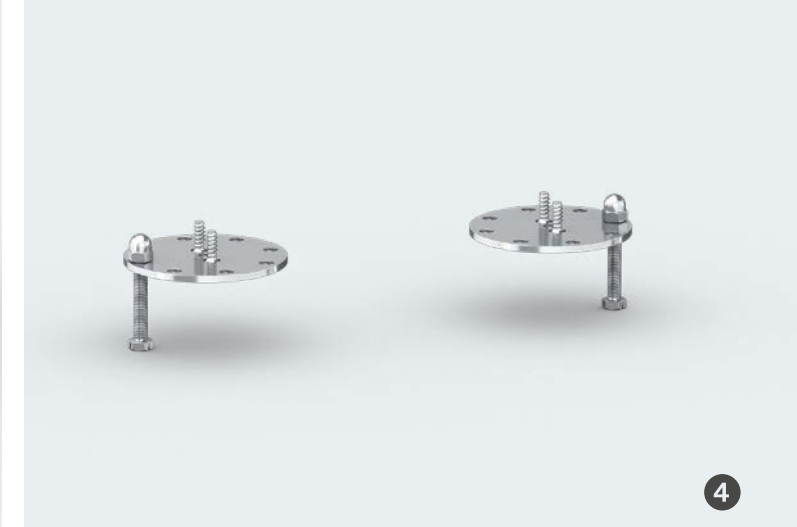
1 VarioMobil

The 1/1 model can be set to four different heights. The handle is foldable to save space when storing the VarioMobil. The 2/1 model can be set to two different heights for more ergonomic use.



2 Basket cart

For easy and safe storage, transport, and draining of hotel pans, GN containers or up to three boiling or frying baskets. Stops at the end of the racks prevents baskets and containers from slipping out during transport.



Stands.

Now that's versatility.

① Stands

The iVario 2-XS and the iVario Pro 2-S can be installed directly on a stand. With integrated pullouts to hold containers, making it easy to empty the pan. With supporting rails for storing GN containers and accessories. Can be placed flush with the wall. Side panels and top closed, rear panel open. Different setup options including feet, stainless steel feet or casters.

② MarineLine stand

The seaworthy MarineLine stand for the iVario 2-XS and the iVario Pro 2-S has locking support rails for storing gastronorm containers safely. Side panels and top closed, rear panel open. Can be installed flush with the wall. Stainless-steel feet can be welded or bolted to the floor, ensuring that the cooking system cannot slip or tip. Requires unit anchoring kit.

④ Stands with electric height adjustable feet

The height of this stand for the iVario 2-XS and the iVario Pro 2-S is infinitely adjustable (by up to 7 7/8") to provide an ergonomic working height. Easy to operate via the cooking system display. Integrated pull-out shelves hold containers to make unloading the pan easier. Support rails for storing GN containers and accessories. Closed side walls, top, and back. Flexible drain hose included.

Installation.

More space. More safety.

① Rear panel

Closes the back part of the base and covers cable and wastewater installations to make cleaning easier. Can be combined with all base variations. Can be retrofitted.

② Storage cabinet

Allows efficient use of the space underneath the iVario Pro L or XL. Consists of up to nine pairs of supporting rails. Closed side walls, top, and back. Can be combined with all base variations. Can be retrofitted.

③ Floor anchoring kit

Improve work safety by securing the iVario Pro L or XL cooking systems on the floor easily. Depends on the device size.

④ Unit anchoring kit

For mounting an iVario 2-XS or iVario Pro 2-S to an existing work surface or a stand. Provides secure horizontal and vertical anchoring. Compatible with installation options using 3 1/2" plastic feet.



1



3



4



2



5



Care products.

Shiny clean. Perfectly hygienic.

1 Grill cleaner

For minor pan discoloration that is difficult to remove using ordinary detergent (from tomato sauce, for example). Can be used undiluted. Rinse thoroughly afterward.

2 Cleaning arm, incl. 4 pads

Helps with cleaning difficult-to-reach exterior areas between pan and control panel on the iVario 2-XS and iVario Pro 2-S. The kit includes a cleaning arm as well as four cleaning pads of two different hardness levels.

3 Cleaning pads, rough

Follow-up order of cleaning arm for exterior cleaning. Helps with stubborn, caked-on grime.

4 Cleaning pads, soft

Follow-up order of cleaning arm for exterior cleaning.

5 Cleaning scrub

For fast, effective cleaning of the inside of the pan. For all unit sizes.

Grilling, roasting, and baking.



Perforated baking sheets

2/3 GN (12 3/4" × 14")	N°:	60.74.147
1/1 GN (12 3/4" × 20 7/8")	N°:	6015.1103
2/1 GN (25 5/8" × 20 7/8")	N°:	6015.2103

Roasting and baking sheets (non-perforated)

2/3 GN (12 3/4" × 14")	N°:	60.73.671
1/1 GN (12 3/4" × 20 7/8")	N°:	6013.1103
2/1 GN (25 5/8" × 20 7/8")	N°:	6013.2103

Grilling and searing plate

1/1 GN (12 3/4" × 20 7/8")	N°:	60.71.617
----------------------------	-----	-----------

Grill and pizza tray

2/3 GN (12 3/4" × 14")	N°:	60.73.798
1/1 GN (12 3/4" × 20 7/8")	N°:	60.70.943

Multibaker

1/3 GN (12 3/4" × 10 3/8") 2 molds	N°:	60.73.764
2/3 GN (12 3/4" × 14") 5 molds	N°:	60.73.646
1/1 GN (12 3/4" × 20 7/8") 8 molds	N°:	60.71.157

Diamond and grill grate

1/2 GN (12 3/4" × 10 3/8")	N°:	60.73.802
2/3 GN (12 3/4" × 14")	N°:	60.73.801
1/1 GN (12 3/4" × 20 7/8")	N°:	60.73.314

CombiGrill

1/1 GN (12 3/4" × 20 7/8")	N°:	6035.1017
----------------------------	-----	-----------

Loading grid

for CombiGrill 12" × 24 3/8" (for 1/1 GN (12 3/4" × 20 7/8"))	N°:	60.73.848
---	-----	-----------

Roasting and baking pan

Small set (4 pans including tray)	N°:	60.73.286
Large set (2 pans including tray)	N°:	60.73.287
Roasting and baking pan, small (6 1/4")	N°:	60.73.271
Roasting and baking pan, large (9 7/8")	N°:	60.73.272
Tray for small roasting and baking pan	N°:	60.73.212
Tray for large roasting and baking pan	N°:	60.73.216

Granite-enameled containers

1/2 GN (12 3/4" × 10 3/8"), 3/4" deep	N°:	6014.1202
1/2 GN (12 3/4" × 10 3/8"), 1 1/2" deep	N°:	6014.1204
1/2 GN (12 3/4" × 10 3/8"), 2 3/8" deep	N°:	6014.1206
2/3 GN (12 3/4" × 14"), 3/4" deep	N°:	6014.2302
2/3 GN (12 3/4" × 14"), 1 1/2" deep	N°:	6014.2304
2/3 GN (12 3/4" × 14"), 2 3/8" deep	N°:	6014.2306
2/3 GN (12 3/4" × 14"), 4" deep	N°:	6014.2310
1/1 GN (12 3/4" × 20 7/8"), 3/4" deep	N°:	6014.1102
1/1 GN (12 3/4" × 20 7/8"), 1 1/2" deep	N°:	6014.1104
1/1 GN (12 3/4" × 20 7/8"), 2 3/8" deep	N°:	6014.1106
1/1 GN (12 3/4" × 20 7/8"), 4" deep	N°:	6014.1110
2/1 GN (25 5/8" × 20 7/8"), 3/4" deep	N°:	6014.2102
2/1 GN (25 5/8" × 20 7/8"), 1 1/2" deep	N°:	6014.2104
2/1 GN (25 5/8" × 20 7/8"), 2 3/8" deep	N°:	6014.2106

Finishing.

Thermocover

Type 6-half size	N°:	6004.1007
Type 10-half size	N°:	6004.1009
Type 6-full size	N°:	6004.1016
Type 10-full size	N°:	6004.1014
Type 20-half size	N°:	6004.1011
Type 20-full size	N°:	6004.1012

Banquet system

Type 10-half size, 26 plates	N°:	60.11.629
Type 6-full size, 34 plates	N°:	60.62.196
Type 10-full size, 42 plates	N°:	60.12.154
Type 10-full size, 52 plates	N°:	60.12.155
Type 20-half size, 50 plates	N°:	60.21.333
Type 20-full size, 100 plates	N°:	60.22.492
Type 20-full size, 84 plates	N°:	60.22.491

Finishing.



Mobile plate rack

Type 6-half size, 15 plates	N°:	60.61.701
Type 10-half size, 26 plates	N°:	60.11.602
Type 6-full size, 34 plates	N°:	60.62.017
Type 10-full size, 52 plates	N°:	60.12.022
Type 10-full size, 42 plates	N°:	60.12.062
Type 20-half size, 50 plates	N°:	60.21.294
Type 20-full size, 100 plates	N°:	60.22.399
Type 20-full size, 84 plates	N°:	60.22.398

Combi-Duo run-in rails for mobile oven racks

Type Combi-Duo 6-half size and 10-half size	N°:	60.75.761
Type Combi-Duo 6-full size and 10-full size	N°:	60.75.760

Single table top Run-in rail for mobile oven rack

Standard Type 6-half size, 10-half size	N°:	60.75.115
Standard Type 6-full size, 10-full size	N°:	60.74.650

Height adjustable transport trolley for mobile oven rack

For Combi-Duo 6-half size and 10-half size, W 22 1/8" D 33 1/8" H 41 3/8" – 58 1/8"	N°:	60.75.388
For Combi-Duo 6-full size and 10-full size, W 30 3/8" D 37 3/4" H 41 3/8" – 58 7/8"	N°:	60.75.387

Transport trolley for mobile oven rack

Standard, W 20 5/8" D 35 3/4" H 39"	N°:	60.74.000
Height-adjustable, W 20 5/8" D 35 7/8" H 31 1/2" – 52 3/8"	N°:	60.75.606
Standard, W 28 7/8" D 39 1/4" H 39"	N°:	60.73.999
Height-adjustable – 6-full size, 10-full size; Dimensions: W 28 7/8" D 39" H 31 1/2" – 52 3/8"	N°:	60.75.605

Transport trolley for containers

Transport trolley for containers – integrated fat drain system (Combi-Duo and floor units)	N°:	60.73.309
--	-----	-----------

Finishing – sample calculations.

Capacity Mobile plate rack	Event size (number of people)	Mobile plate rack, Thermocover	Run-in rails	Transport trolley	Max. plate height in inch	Max. food height in inch
15 plates* with iCombi Pro 6-half size	15	1	1	1	1 1/4"	2 3/4"
	30	2	1	2	1 1/4"	2 3/4"
	45	3	1	3	1 1/4"	2 3/4"
26 plates* with iCombi Pro 10-half size	52	2	1	2	1 1/4"	2 3/4"
	78	3	1	3	1 1/4"	2 3/4"
	104	4	1	4	1 1/4"	2 3/4"
34 plates* with iCombi Pro 6-full size	34	1	1	1	1 1/4"	2 3/8"
	68	2	1	2	1 1/4"	2 3/8"
	102	3	1	3	1 1/4"	2 3/8"
42/52 plates* with iCombi Pro 10-full size	84/104	2	1	2	1 5/8"/1 1/4"	3 1/4"/2 1/2"
	126/156	3	1	3	1 5/8"/1 1/4"	3 1/4"/2 1/2"
	168/208	4	1	4	1 5/8"/1 1/4"	3 1/4"/2 1/2"
50 plates* with iCombi Pro 20-half size	100	2	–	–	1 1/4"	2 5/8"
	150	3	–	–	1 1/4"	2 5/8"
	200	4	–	–	1 1/4"	2 5/8"
84/100 plates* with iCombi Pro 20-full size	168/200	2	–	–	1 5/8"/1 1/4"	3 1/8"/2 1/2"
	252/300	3	–	–	1 5/8"/1 1/4"	3 1/8"/2 1/2"
	336/400	4	–	–	1 5/8"/1 1/4"	3 1/8"/2 1/2"

*plate size up to Ø 12 1/4"

Mobile racks and hinging racks.



Mobile oven rack Type 6-half size

Standard, 6 racks (rail spacing 2 1/2")	N°:	60.61.700
---	-----	-----------

Mobile oven rack Type 10-half size

Standard, 10 racks (rail spacing 2 1/2")	N°:	60.11.400
--	-----	-----------

8 racks (rail spacing 3 1/8")	N°:	60.11.601
-------------------------------	-----	-----------

Mobile oven rack Type 6-full size

Standard, 6 racks (rail spacing 2 1/2")	N°:	60.62.150
---	-----	-----------

Adapter for sheet pans 18" x 26" (only for 6 racks)	N°:	60.62.050
---	-----	-----------

Mobile oven rack Type 10-full size

Standard, 10 racks (rail spacing 2 1/2")	N°:	60.12.150
--	-----	-----------

Adapter for sheet pans 18" x 26" (only for 10 racks)	N°:	60.12.054
--	-----	-----------

Mobile oven rack Type 20-half size

Standard, 20 racks (rail spacing 2 1/2")	N°:	60.21.290
--	-----	-----------

15 racks (rail spacing 3 1/4")	N°:	60.21.287
--------------------------------	-----	-----------

16 racks (rail spacing 3 1/8")	N°:	60.21.288
--------------------------------	-----	-----------

17 racks (rail spacing 2 7/8")	N°:	60.21.289
--------------------------------	-----	-----------

SecurityLine, 20 racks (rail spacing 2 1/2")	N°:	60.21.319
--	-----	-----------

20 racks, reinforced HeavyDuty/Marine version (rail spacing 2 1/2")	N°:	60.21.291
---	-----	-----------

Mobile oven rack Type 20-full size

Standard, 20 racks (rail spacing 2 1/2")	N°:	60.22.490
--	-----	-----------

15 racks (rail spacing 3 1/4")	N°:	60.22.394
--------------------------------	-----	-----------

16 racks (rail spacing 3 1/8")	N°:	60.22.395
--------------------------------	-----	-----------

17 racks (rail spacing 2 7/8")	N°:	60.22.396
--------------------------------	-----	-----------

SecurityLine, 12 racks (rail spacing 4 3/8")	N°:	60.22.440
--	-----	-----------

20 racks, reinforced HeavyDuty/Marine version (rail spacing 2 1/2")	N°:	60.22.447
---	-----	-----------

Hinging rack Type XS

Standard, 7 racks	N°:	60.74.331
-------------------	-----	-----------

Marine version (with load securing)	N°:	60.74.449
-------------------------------------	-----	-----------

11 racks	N°:	60.73.724
----------	-----	-----------

Hinging rack Type 6-half size

Standard, 6 racks (rail spacing 2 5/8")	N°:	60.61.618
---	-----	-----------

5 racks (rail spacing 3 3/8")	N°:	60.61.615
-------------------------------	-----	-----------

Marine version (USPHS), 6 racks (with load securing)	N°:	60.61.672
--	-----	-----------

7 racks (rail spacing 2 5/8")	N°:	60.61.624
-------------------------------	-----	-----------

Hinging rack Type 10-half size

Standard, 10 racks (rail spacing 2 5/8")	N°:	60.11.550
--	-----	-----------

8 racks (rail spacing 3 3/8")	N°:	60.11.547
-------------------------------	-----	-----------

Marine version (USPHS), 10 racks (with load securing)	N°:	60.11.573
---	-----	-----------

Hinging rack Type 6-full size

Standard, 6 racks (rail spacing 2 5/8")	N°:	60.62.123
---	-----	-----------

5 racks (rail spacing 3 3/8")	N°:	60.62.171
-------------------------------	-----	-----------

7 racks without L rails (rail spacing 2 1/2")	N°:	60.62.168
---	-----	-----------

Marine version (USPHS), 6 racks (with load securing)	N°:	60.62.178
--	-----	-----------

Hinging rack Type 10-full size

Standard, 10 racks (rail spacing 2 5/8")	N°:	60.12.133
--	-----	-----------

8 racks (rail spacing 3 3/8")	N°:	60.12.143
-------------------------------	-----	-----------

Marine version (USPHS), 10 racks (with load securing)	N°:	60.12.146
---	-----	-----------

Full Size Sheet pan adapter Typ 6-full size, 10-full size	N°:	60.12.156
---	-----	-----------

Gastronorm accessories.

Perforated container, stainless steel

1/1 GN (12 3/4" x 20 7/8") 2 1/8" deep	N°:	6015.1165
--	-----	-----------

Stainless steel containers

2/3 GN (12 3/4" x 14"), 3/4" deep	N°:	6013.2302
-----------------------------------	-----	-----------

2/3 GN (12 3/4" x 14"), 2 1/2" deep	N°:	6013.2306
-------------------------------------	-----	-----------

1/1 GN (12 3/4" x 20 7/8"), 3/4" deep	N°:	6013.1102
---------------------------------------	-----	-----------

1/1 GN (12 3/4" x 20 7/8"), 1 1/2" deep	N°:	6013.1104
---	-----	-----------

1/1 GN (12 3/4" x 20 7/8"), 2 1/2" deep	N°:	6013.1106
---	-----	-----------

Stainless steel grid

2/3 GN (12 3/4" x 14")	N°:	6010.2301
------------------------	-----	-----------

1/1 GN (12 3/4" x 20 7/8")	N°:	6010.1101
----------------------------	-----	-----------

2/1 GN (25 5/8" x 20 7/8")	N°:	6010.2101
----------------------------	-----	-----------

Grease drip container with drain lock

1/1 GN (12 3/4" x 20 7/8") 1 1/2" deep	N°:	8710.1135
--	-----	-----------

2/1 GN (25 5/8" x 20 7/8") 1 1/2" deep	N°:	60.70.776
--	-----	-----------

Special applications.



Chicken and duck Superspike

Capacity: 4 pc, max weight: 2,9 lbs, 1/2 GN (12 3/4" x 10 3/8")	N°:	6035.1015
---	-----	-----------

Capacity: 6 pc, max weight: 4 lbs, 1/1 GN (12 3/4" x 20 7/8")	N°:	6035.1016
---	-----	-----------

Capacity: 8 pc, max weight: 2,9 lbs, 1/1 GN (12 3/4" x 20 7/8")	N°:	6035.1006
---	-----	-----------

Capacity: 10 pc, max weight: 2 lbs, 1/1 GN (12 3/4" x 20 7/8")	N°:	6035.1010
--	-----	-----------

Capacity: 8 pc, max weight: 4,9 lbs, 1/1 GN (12 3/4" x 20 7/8")	N°:	6035.1009
---	-----	-----------

CombiFry

1/2 GN (12 3/4" x 10 3/8")	N°:	6019.1250
----------------------------	-----	-----------

2/3 GN (12 3/4" x 14")	N°:	60.73.619
------------------------	-----	-----------

1/1 GN (12 3/4" x 20 7/8")	N°:	6019.1150
----------------------------	-----	-----------

Rib rack

1/1 GN (12 3/4" x 20 7/8")	N°:	6035.1018
----------------------------	-----	-----------

Grill and tandoori skewer

Grill and tandoori skewer frame 2/3 GN	N°:	60.74.963
--	-----	-----------

Grill and tandoori skewer frame 1/1 GN	N°:	60.72.224
--	-----	-----------

2/3 GN set (1x skewer frame and five different skewers)	N°:	60.75.782
---	-----	-----------

1/1 GN set (1x skewer frame and five different skewers)	N°:	60.72.414
---	-----	-----------

5x skewers O 1/4", 10 3/8" long, for 2/3 GN	N°:	60.75.783
---	-----	-----------

5x skewers □ 1/4", 10 3/8" long, for 2/3 GN	N°:	60.75.784
---	-----	-----------

5x fish skewers 3/8", 10 3/8" long for 2/3 GN	N°:	60.75.785
---	-----	-----------

3x skewers O 1/4", 20 7/8" long, for 1/1 GN	N°:	60.72.416
---	-----	-----------

3x skewers O 3/8", 20 7/8" long, for 1/1 GN	N°:	60.72.417
---	-----	-----------

3x skewers □ 1/4", 20 7/8" long, for 1/1 GN	N°:	60.72.418
---	-----	-----------

3x skewers □ 3/8", 20 7/8" long, for 1/1 GN	N°:	60.72.419
---	-----	-----------

3x fish skewers 3/8", 20 7/8" long for 1/1 GN	N°:	60.72.420
---	-----	-----------

Potato Baker

1/1 GN (12 3/4" x 20 7/8")	N°:	6035.1019
----------------------------	-----	-----------

Lamb and suckling pig spit (1 lamb or 1 suckling pig)

Types 10-half size, 10-full size, 20-half size, 20-full size up to 26,5 lbs (1/1 GN)	N°:	60.70.819
--	-----	-----------

Type 20-half size up to 66 lbs (1 spit with holder)	N°:	6035.1003
---	-----	-----------

Type 20-full size up to 66 lbs (1 spit with holder, second spit for lamb or suckling pig optional)	N°:	6035.1002
--	-----	-----------

Optional spit	N°:	8710.1065
---------------	-----	-----------

Pizza pan

Pizza up to Ø 11"	N°:	60.71.158
-------------------	-----	-----------

*please note that the GN version and the bakery version (15 3/4" x 23 5/8") have different air baffles in the cooking cabinet. You can order replacement air baffles from your service partner.

Combi-Duo.



Combi-Duo kit for iCombi Pro XS

Size XS on Size XS right-side hinge	N°:	60.73.768
Size XS on Size XS left-side hinge	N°:	60.74.276
Size XS on Size XS, right-side hinge, Marine version	N°:	60.74.780
Size XS on Size XS, left-side hinge, Marine version	N°:	60.74.929

Combi-Duo kit for 6-full size and 10-full size

Size 6-full size E/G on Size 6-full size or Size 10-full size E	N°:	60.74.725
Size 6-full size E/G on Size 6-full size G Size 6-half size E/G on Size 6-full size G Size XS on Size 6-full size G	N°:	60.75.752
Size 6-half size E/G on Size 6-full size E Size XS on Size 6-full size E Size XS on Size 10-full size E	N°:	60.75.756
Size 6-full size E on Size 6-full size E Size 6-full size E/G on Size 10-full size E Right-side hinge, Marine version	N°:	60.75.709
Size 6-full size E on Size 6-full size E Size 6-full size E/G on Size 10-full size E Left-side hinge, Marine version	N°:	60.76.710

Combi-Duo kit for iCombi Pro 6-half size and 10-half size

Size 6-half size E/G on Size 6-half size or Size 10-half size E	N°:	60.73.991
Size 6-half size E/G on Size 6-half size G Size XS on Size 6-half size G	N°:	60.75.751
Size XS on Size 6-half size E Size XS on Size 10-half size E	N°:	60.75.755
Size 6-half size E on Size 6-half size E Size 6-half size E on Size 10-half size E Marine version	N°:	60.76.708

Installation options for Combi-Duo

Leveling kit for Marine version, Sizes 6-half size, 10-half size; Measurements: W 34 5/8" D 24 1/8" H 1 3/8"	N°:	60.76.846
Leveling kit for Marine version, Sizes 6-full size, 10-full size; Measurements: W 43 3/8" D 32" H 1 3/8"	N°:	60.76.845
Stand I for Combi-Duo XS, standard, W 25 1/8" D 22 1/8" H 21 7/8"	N°:	60.31.020
Stand II for Combi-Duo XS, standard, W 25 1/8" D 22 1/8" H 21 7/8"	N°:	60.31.046
Stand I for Combi-Duo half size, standard, W 33 7/8" D 27" H 7 7/8"	N°:	60.31.200
Stand I for Combi-Duo full size, standard, W 42 5/8" D 34 7/8" H 7 7/8"	N°:	60.31.203
Stand I for Combi-Duo XS, with casters, W 26 1/8" D 25 1/4" H 22 1/8"	N°:	60.31.170
Stand II for Combi-Duo XS, with anchoring (MarineLine), W 27 1/8" D 24 1/8" H 21 7/8"	N°:	60.31.058
Stand I for Combi-Duo half size, with casters, W 34 3/4" D 30" H 7 7/8"	N°:	60.31.201
Stand I for Combi-Duo half size, with anchoring (MarineLine), W 34 7/8" D 28" H 7 7/8"	N°:	60.31.202
Stand I for Combi-Duo full size, with casters, W 43 1/2" D 37 7/8" H 7 7/8"	N°:	60.31.204
Stand I for Combi-Duo full size, with anchoring (MarineLine), W 43 5/8" D 35 7/8" H 7 7/8"	N°:	60.31.205

Mobile Combi-Duo kit with height-adjustable rollers

Kit with rollers, Sizes 6-half size, 10-half size; Measurements: W 33 3/8" D 30 3/8" H 3 3/8"	N°:	60.31.622
Kit with rollers, Sizes 6-full size, 10-full size; Measurements: W 43 1/2" D 33 3/4" H 3 3/8"	N°:	60.31.635

Combi-Duo.

Integrated fat drain kit for Combi-Duo

for installation on the levelling kit Combi-Duo 6-half size and 10-half size	N°:	60.75.873
for installation on Stand I Combi-Duo 6-half size and 10-half size	N°:	60.75.406
for installation on the levelling kit Combi-Duo 6-full size and 10-full size	N°:	60.75.876
for installation on Stand I Combi-Duo 6-full size and 10-full size	N°:	60.75.411

Extras.

VarioSmoker

VarioSmoker with NEMA 5-15 P	N°:	60.75.367
------------------------------	-----	-----------

USB core temperature probe

Sous-vide and pasteurization kit for tabletop and floor units	N°:	60.76.316
1 external core temperature probe for tabletop units	N°:	60.76.317
1 external core temperature probe for floor units	N°:	60.76.318
Extension set for USB core temperature probe	N°:	60.76.876

Positioning aid for core temperature probe

Types 6-half size, 10-half size, 6-full size, 10-full size, 20-half size and 20-full size	N°:	60.71.022
---	-----	-----------

Pullout rails for hinging racks with 2 5/8" – 68 mm rail spacing

For iCombi Pro and iCombi Classic, Types 6-half size, 10-half size	N°:	60.76.894
For SelfCookingCenter and CombiMaster Plus cooking systems (built 09/2011 or later), Types 61, 101	N°:	60.76.897

Setup options.



Integration kit

UltraVent XS including Integration kit	N°:	60.74.285
UltraVent Plus XS including Integration kit	N°:	60.74.408

MobilityLine floor models

Mobile base frame 20-half size	N°:	60.21.334
Mobile base frame 20-full size	N°:	60.22.496

Recirculating technology.

Recirculating hoods for Electric models

UltraVent XS Combi-Duo	N°:	60.74.254
UltraVent Plus XS Combi-Duo	N°:	60.74.407
UltraVent Types 10-half size, 6-half size	N°:	60.76.179
UltraVent Plus Types 6-half size, 10-half size	N°:	60.76.177
UltraVent Types 6-full size, 10-full size	N°:	60.76.180
UltraVent Plus Types 6-full size, 10-full size	N°:	60.76.178

Stands.



Stands, Type XS

Stand XS, Standard, W 24 3/4" D 17 1/4" H 5 7/8"	N°:	60.31.029
Stand I, standard, W 25 1/8" D 22 1/8" H 36 5/8"	N°:	60.31.018
Stand I, with casters, W 26 1/8" D 25 1/4" H 36 7/8"	N°:	60.31.169
Stand II, standard, W 25 1/8" D 22 1/8" H 36 3/4"	N°:	60.31.044
Stand II, with anchoring (MarineLine), W 27 1/8" D 24 1/8" H 36 3/4"	N°:	60.31.057

Leveling kit and stands, Type 6-half size and 10-half size

Leveling kit, Sizes 6-half size, 10-half size; Measurements: W 33 1/2" D 24 1/8" H 13 3/8"	N°:	60.74.795
Leveling kit for Marine version, Sizes 6-half size, 10-half size; Measurements: W 34 5/8" D 24 1/8" H 13 3/8"	N°:	60.76.846
Stand I, standard, W 33 7/8" D 27" H 27 1/2"	N°:	60.31.089
Stand I, with casters, W 34 3/4" D 30" H 27 1/2"	N°:	60.31.095
Stand I, with anchoring (MarineLine), W 34 7/8" D 28" H 27 1/2"	N°:	60.31.096
Stand II, standard, W 33 7/8" D 27 5/8" H 27 1/2"	N°:	60.31.086
Stand II, with casters, W 34 3/4" D 30 1/4" H 27 1/2"	N°:	60.31.103
Stand II, with anchoring (MarineLine), W 34 7/8" D 28 1/4" H 27 1/2"	N°:	60.31.110
Stand II, MobilityLine, W 47 1/4" D 35 1/4" H 31 1/8"	N°:	60.31.164
Stand III, standard, W 33 7/8" D 27 5/8" H 27 1/2"	N°:	60.31.091
Stand III, with casters, W 34 3/4" D 30 1/4" H 27 1/2"	N°:	60.31.105
Stand III, with anchoring (MarineLine), W 34 7/8" D 28 1/4" H 27 1/2"	N°:	60.31.112
Stand III, UltraVent version, standard, W 33 7/8" D 27 5/8" H 37 1/4"	N°:	60.31.214

Leveling kit and stands, Type 6-half size and 10-half size

Stand III, UltraVent version, with casters, W 34 3/4" D 30 1/4" H 37 1/4"	N°:	60.31.215
Stand IV, standard, W 33 7/8" D 27 5/8" H 27 1/2"	N°:	60.31.093
Stand IV, with casters, W 34 3/4" D 30 1/4" H 27 1/2"	N°:	60.31.107
Stand IV, with anchoring (MarineLine), W 34 7/8" D 28 1/4" H 27 1/2"	N°:	60.31.114

Leveling kit and stands, Type 6-full size and 10-full size

Leveling kit, Sizes 6-full size, 10-full size; Measurements: W 42 1/4" D 32" H 13 3/8"	N°:	60.74.597
Leveling kit for Marine version, Sizes 6-full size, 10-full size; Measurements: W 43 3/8" D 32" H 13 3/8"	N°:	60.76.845
Stand I, standard, W 42 5/8" D 34 7/8" H 27 1/2"	N°:	60.31.090
Stand I, with casters, W 43 1/2" D 37 7/8" H 27 1/2"	N°:	60.31.102
Stand I, with anchoring (MarineLine), W 43 5/8" D 35 7/8" H 27 1/2"	N°:	60.31.109
Stand II, standard, W 42 5/8" D 35 1/2" H 27 1/2"	N°:	60.31.087
Stand II, with casters, W 43 1/2" D 38 1/8" H 27 1/2"	N°:	60.31.104
Stand II, with anchoring (MarineLine), W 43 5/8" D 36 1/8" H 27 1/2"	N°:	60.31.111
Stand II, MobilityLine, W 56" D 42 5/8" H 31 1/8"	N°:	60.31.165
Stand III, standard, W 42 5/8" D 35 1/2" H 27 1/2"	N°:	60.31.092
Stand III, with casters, W 43 1/2" D 38 1/8" H 27 1/2"	N°:	60.31.106
Stand III, with anchoring (MarineLine), W 43 5/8" D 36 1/8" H 27 1/2"	N°:	60.31.113
Stand III, UltraVent version, standard, W 42 5/8" D 35 1/2" H 37 1/4"	N°:	60.31.216
Stand III, UltraVent version, with casters, W 43 1/2" D 38 1/8" H 37 1/4"	N°:	60.31.217
Stand IV, standard, W 42 5/8" D 35 1/2" H 27 1/2"	N°:	60.31.094
Stand IV, with casters, W 43 1/2" D 38 1/8" H 27 1/2"	N°:	60.31.108
Stand IV, with anchoring (MarineLine), W 43 5/8" D 36 1/8" H 27 1/2"	N°:	60.31.115

Installation accessories.



Run-in ramp for mobile oven racks

Type 20-half size	N°:	60.21.262
Type 20-full size	N°:	60.22.380

Unit elevation

Types 20-half size, 20-full size	N°:	60.70.407
----------------------------------	-----	-----------

Elevation for mobile oven rack

Type 20-half size	N°:	60.21.297
Type 20-full size	N°:	60.22.386

Heat shield for side panel

Left heat shield, Type XS	N°:	60.74.182
Left heat shield, Type 6-half size	N°:	60.75.110
Right heat shield, Type 6-half size	N°:	60.75.113
Left heat shield, Type 10-half size	N°:	60.75.773
Right heat shield, Type 10-half size	N°:	60.75.771
Left heat shield, Type 6-full size	N°:	60.75.769
Right heat shield, Type 6-full size	N°:	60.75.768
Left heat shield, Type 10-full size	N°:	60.75.776
Right heat shield, Type 10-full size	N°:	60.75.774
Left heat shield, Type 20-half size	N°:	60.75.829
Left heat shield, Type 20-full size	N°:	60.75.826

Handle holder for mobile oven rack

Types 20-half size, 20-full size	N°:	60.75.895
----------------------------------	-----	-----------

Condensation breaker

Type XS (H 17 1/4")	N°:	60.74.037
Types 6-half size, 10-half size, 6-full size and 10-full size (H 18")	N°:	60.72.592
Types 20-half size and 20-full size (H 18 7/8")	N°:	60.75.326

Wall bracket

Type XS	N°:	60.30.968
Type 6-half size	N°:	60.31.168

Table extension

Types 6-half size and 10-half size	N°:	60.11.655
------------------------------------	-----	-----------

Care products.

Active Green cleaner tabs (for iCombi Pro and iCombi Classic)

Active Green cleaner tabs, 150×	N°:	56.01.535
---------------------------------	-----	-----------

Cleaner tabs (for all SelfCookingCenter and CombiMaster Plus models)

Cleaning tabs, 100×	N°:	56.00.210A
---------------------	-----	------------

Care tabs (for iCombi Pro, iCombi Classic and SelfCookingCenter models with Efficient CareControl)

Care tabs, 150×	N°:	56.00.562
-----------------	-----	-----------

Rinse aid tabs (for all SelfCookingCenter models without Efficient CareControl and CombiMaster Plus models)

Rinse aid tabs, 50×	N°:	56.00.211
---------------------	-----	-----------

Liquid detergent (for all CombiMaster and ClimaPlus Combi models)

Grill cleaner (for all CombiMaster and ClimaPlus Combi models)	N°:	9006.0153
Liquid rinse aid (for ClimaPlus Combi models with CleanJet)	N°:	9006.0137

Descaler (for SelfCookingCenter models without CareControl, CombiMaster, ClimaPlus Combi)

Descaler, 10 liters	N°:	6006.0110 US
Foot pump for descaling the steam generator	N°:	6004.0203

Active Green cleaner cartridges for iCombi Pro with iCareSystem AutoDose option

Active Green cleaner cartridges, 6 units/72 cartons per pallet	N°:	56.01.912
--	-----	-----------

Care cartridges for iCombi Pro with iCareSystem AutoDose option

Care cartridges, 6 units/72 cartons per pallet	N°:	56.01.914
--	-----	-----------

Hand spray gun

Hand spray gun for manual cleaning	N°:	6004.0100
------------------------------------	-----	-----------

The basic.

Spatula

Spatula 25, Width 9 7/8"	N°:	60.71.643
Spatula 33, Width 13"	N°:	60.77.042

Scoop

Solid, Model 2-S, L, XL	N°:	60.73.348
Perforated, Model 2-S, L, XL	N°:	60.73.586

Long spatula

Model L, XL	N°:	60.78.143
-------------	-----	-----------

Boiling baskets

Boiling basket Model 2-XS	N°:	60.74.970
Boiling basket Model 2-S	N°:	60.74.986
Boiling basket Model L, XL (Recommendation: 2× for L and 3× for XL)	N°:	60.74.983

Frying baskets

Frying basket Model 2-XS	N°:	60.75.019
Frying basket Model 2-S	N°:	60.75.330
Frying basket Model L, XL (Recommendation: 2× for L and 3× for XL)	N°:	60.75.391

Long spatula

Model 2-XS, 2-S – 12.8 × 10.4 in, perforated	N°:	60.77.485
--	-----	-----------

Arm for automatic raising/lowering

Model 2-XS	N°:	60.74.791
Model 2-S	N°:	60.75.359
Model L	N°:	60.75.909
Model XL	N°:	60.75.129

Strainer

Model 2-XS, 2-S	N°:	60.74.666
Model L	N°:	60.75.975
Model XL	N°:	60.74.908

Pan base rack

Model 2-XS	N°:	60.74.832
Model 2-S, L, XL	N°:	60.74.663

Special applications.



Portion baskets Model 2-XS

Kit – 4 perforated portion baskets with frame	N°:	60.75.300
Kit – 4 solid portion baskets with frame	N°:	60.75.978
Kit – 4 frying portion baskets with frame	N°:	60.75.979
Master Kit portion baskets (4 perforated + 4 solid portion with 2 frame)	N°:	60.76.407

Portion baskets Model 2-S

Kit – 6 perforated portion baskets with frame	N°:	60.75.305
Kit – 6 solid portion baskets with lid + frame	N°:	60.75.306
Kit – 6 frying portion baskets with frame	N°:	60.75.307
Master Kit portion baskets (6 perforated + 6 solid portion with 2 frame)	N°:	60.76.408

Kit – 2 portion baskets

Kit – 2 perforated portion baskets	N°:	60.75.303
Kit – 2 solid portion baskets with lid	N°:	60.75.302
Kit – 2 frying portion baskets	N°:	60.75.982
Kit – 2 lids for portion baskets	N°:	60.75.311

Stands.

Stands Model 2-XS

Stand structure. One of the following feet structures must be added:	N°:	60.75.835
Kit 4 feet (height adjustable)	N°:	60.31.432
Kit 4 stainless steel feet	N°:	60.31.524
Kit 4 casters	N°:	60.31.433
MarineLine* Measurements: W 43 1/4" D 27 3/8" H 23 3/8"	N°:	60.31.701
With electric height adjustable feet W 43 1/4" D 28 1/8" H 22 1/2" – 30 3/8"	N°:	60.31.326

Stands Model 2-S

Stand structure. One of the following feet structures must be added:	N°:	60.75.836
Kit 4 feet (height adjustable)	N°:	60.31.432
Kit 4 stainless steel feet	N°:	60.31.524
Kit 4 casters	N°:	60.31.433
MarineLine* Measurements: W 43 1/4" D 34 1/2" H 23 3/8"	N°:	60.31.702
With electric height adjustable feet W 43 1/4" D 35 1/4" H 22 1/2" – 30 3/8"	N°:	60.31.327

* Kit 60.76.118 required to anchor the iVario atop the stand.

Installation.

Floor anchoring kit

Model L, XL	N°:	60.72.905
-------------	-----	-----------

Unit anchoring kit

Model 2-XS, 2-S	N°:	60.76.118
-----------------	-----	-----------

Storage cabinet

Model L	On request
Model XL	On request

Rear panel

Model L	On request
Model XL	On request

Care products.



Grill cleaner

Grill cleaner liquid, 2.6 gallons	N°:	9006.0153
-----------------------------------	-----	-----------

Cleaning arm

Kit cleaning arm, incl. 4 pads	N°:	60.73.925
--------------------------------	-----	-----------

Cleaning pads

Kit – 2 cleaning pads rough	N°:	60.73.922
Kit – 2 cleaning pads soft	N°:	60.73.923

Cleaning scrub

Kit – 6 cleaning scrubs	N°:	60.73.924
-------------------------	-----	-----------

Master Kit cleaning

2.6 gallons grill cleaner, 1 cleaning arm, 2 cleaning pads rough, 2 cleaning pads soft, 1 cleaning scrub	N°:	60.73.920
--	-----	-----------

Transport.

VarioMobil

1/1 GN Model 2-XS, 2-S, W 16 5/8" D 29 3/4" H 31 1/2"	N°:	60.73.349
2/1 GN Model L, XL, W 25" D 31 1/10" H 34 9/10"	N°:	60.70.107

Basket cart

Model 2-S, L, XL, W 16 3/8" D 27 1/5" H 59 7/8"	N°:	60.73.612
--	-----	-----------

➔ **For more information on RATIONAL accessories, visit:**

rational-online.com/us/accessories



ConnectedCooking.

Keep an eye on everything.

➔ **ConnectedCooking**
High-performance networking by RATIONAL. So you'll always have everything under control.

rational-online.com/us/ConnectedCooking

Networking is on the rise – everything's digital, everything's coordinated. Just like ConnectedCooking by RATIONAL. Recipe transmission, unit inspections, hygiene data, software updates, service remote access – our secure networking solution lets you do everything from your desk. On all of your networked units. You can also access and save HACCP data from all units. Or send new recipes remotely with just a click of your mouse. All you need is a PC, a smartphone, or a tablet.

RATIONAL cooking systems can include built-in WiFi, or add a RATIONAL WiFi adapter to different device generations. This extends your network, even with a weak WiFi signal. Networking has never been easier.

	HACCP data	Cooking programs	Software updates	Push notifications	Service data	LAN/Ethernet	WLAN/WiFi	Remote access	MyDisplay
iCombi Pro	●	●	●	●	●	●	●	●	●
iCombi Classic	●	●	–	●	●	○	○	–	–
iVario	●	●	●	●	●	○	● ⁴	–	–
SelfCookingCenter® ¹	●	●	●	●	●	●	○ ³	●	●
VarioCookingCenter® ²	●	●	●	●	●	●	○ ³	–	–

● Standard ○ optional – not compatible

¹ Production date 03/2017 or later

² Production date 07/2017 or later

³ WiFi adapter available for purchase as an accessory

⁴ Standard; optional on iVario Model 2-XS



RATIONAL USA

1701 Golf Road
Suite C-120, Commercium
Rolling Meadows, IL 60008

Tel. 888-320-7274 (Toll Free)

Fax 847-755-9583

info@rational-online.us
rationalusa.com

