

 MarkPhili



**MarkPhili**

深圳玛克餐饮设备有限公司  
Shenzhen Markphili Catering Equipment Co.,Ltd  
深圳市龙岗区龙城街道五联社区创建路33号  
No.33 Chuangjian RD, Longgang District, Shenzhen China  
Tel: +86 -0755-89903682  
E-mail: info@szmark.cn  
Fax: +86 -0755-89902941  
Website: www.szmark.cn







## MarkPhili

深圳瑪克餐飲設備有限公司是壹家集科研,設計,生產,銷售為壹體的現代化高端商用爐具企業。公司秉承“服務至上,精益求精,專業為導”為企業宗旨。公司已建立積極有效的人才激勵機制,以優質的人才,卓越的設計,優良的品質,快捷的服務打造良好的品牌。

目前,公司擁有四個品牌系列:

- Markphili(西餐,壹體爐系列)
- Fuler(高端家用爐具系列)
- Elite-Flame(中餐系列)
- Feliks(模塊化西餐系列)

優良的品質是公司的發展基石,完美的售後服務是公司的發展導向,低碳、節能、高效、環保更是我們的社會責任。

Shenzhen Markphili Catering Equipment Co., Ltd. is a modern, professional high-end manufacturer integrating design, research and development, production and sales. Markphili adheres to the "priority in service, pursue in excellency, professionalism orientated" for our corporate core values. We have established a positive and effective talent incentive scheme amongst our workers, in building up a premium brand with high calibre talents, excellent design, superior quality and fast service. Markphili have 4 different product series:

- Markphili – Seamless top plate monobloc cooking suite
- Fuler – Household Kitchen
- Elite-Flame – Oriental cooking range
- Feliks – Western cooking range

Excellent quality is the cornerstone of the company's development, and perfect after-sales service is the company's long term direction. Low carbon, energy saving, high efficiency, and environmental protection are our social responsibilities towards sustainability

## 產品目錄 | Product Contents

豪華壹體爐系列 CUSTOM MADE MONOBLOC COOKING SUITE .....	10-23
項目案例照片 PROJECT CASE .....	24-93
可傾式湯鍋炒鍋系列 TILTING KETTLE & BRATT PAN .....	94-97
西餐爐具系列 WESTERN COOKING RANGE .....	98-125
中餐爐具系列 CHINESE COOKING RANGE .....	126-151
電磁爐系列 INDUCTION RANGE .....	152-157
萬能蒸烤箱系列 COMBI OVEN .....	158-159
懸掛式組合爐 CANTILEVER EXECUTION .....	160-161
特種產品系列 SPECIALTY STOVE SERIES .....	162-171
燒烤爐系列 GRILL & BBQ EQUIPMENT .....	172-185
家用壹體爐系列 HOUSEHOLD KITCHEN RANGE .....	186-187

壹體爐具系列

CUSTOM MADE MONOBLOC COOKING SUITE



加熱方式: G 燃氣、E 電熱

中餐爐具系列 CHINESE COOKING RANGE



加熱方式: G 燃氣、E 電熱

可傾式湯鍋炒鍋系列

TILTING KETTLE & BRATT PAN



加熱方式: G 燃氣、E 電熱

電磁爐具系列

INDUCTION RANGE



加熱方式: E 電磁



西餐爐具系列 WESTERN COOKING RANGE



加熱方式: G 燃氣、E 電熱



MarkPhili

萬能蒸烤箱系列

COMBI OVEN



加熱方式: G 燃氣、E 電熱

懸掛式組合爐

CANTILEVER  
EXECUTION



加熱方式:G燃氣、E電熱



特殊產品系列

SPECIALTY EQUIPMENT



加熱方式:G燃氣、E電熱

家用爐具系列

HOUSEHOLD KITCHEN  
RANGE



加熱方式:G燃氣、E電熱

FULER 品牌介紹

Fuler成立於1983年,是世界知名品牌。擁有經驗豐富的研發團隊及先進設備,更以其安全可靠、創新和獨特的設計,致力提升人們的生活品質。產品以皇家復古風格為主,融合了自然和諧之美與現代裝飾之美,努力實現時尚與經典、品位與質量的完美結合。

Fuler產品成功引入中國市場,從此,中國廚具業進入了一個全新私人訂制廚房時代。時至今日,Fuler產品依然深入人心,在國內,Fuler依然代表身份的象征,品牌的形象。

作為一個中國高端專業廚具,Fuler始終恒守致力於為餐飲服務行業帶來最具創新精神的概念。

專業的品牌營運,Fuler從誕生之日起,就堅持走品質化經營路線,使Fuler呈現出高度統一的品牌形象和良好口碑。在國際中具備特別的優勢。

感知歷史,體驗專業技術,享受專業服務,欣賞專業文化,領略專業知識,是Fuler不斷追求與推崇專業尊貴的服務理念與宗旨。

多年以來,Fuler足跡遍布世界各地

Fuler承諾,無論是單臺設備還是一體式產品所有設備均模塊化設計,可根據客戶不同需要提供量身定制的解決方案與服務。

為滿足個性化定制需要,

我們將一心一意,精心打造每一件產品,讓您能夠盡情享受您的廚房!



Fuler was established in 1983, which is a world famous brand.

We have experienced R & D team and advanced equipment.

With its safe, reliable, innovative and unique design, we are committed to improving people's quality of life. The main products are royal retro style. It integrates the beauty of natural harmony and the beauty of modern decoration, and strives to achieve the perfect combination of fashion and classic, taste and quality.

Fuler products have been successfully introduced into the Chinese market. Since then, China's kitchenware industry has entered a new era of private customized kitchens.

Today, Fuler products are still popular. In China, Fuler still represents the identity symbol and brand image.

As a high-end professional kitchenware in China, Fuler is always committed to bringing the most innovative conception of the catering service industry.

Professional brand operation, Fuler from the date of birth, adhere to the line of quality management, so that Fuler presents a highly unified brand image and good reputation.

It has special advantages in the international market.

To perceive history, experience professional technology, enjoy professional services, appreciate professional culture, and appreciate professional knowledge, which are Fuler's service philosophy and tenet of pursuing and esteeming professional and noble.

Over the years, Fuler being popular all over the world,

Fuler promises that no matter single equipment or integrated products, all equipment are modular design, and can provide customized solutions and services according to different needs of customers.

In order to meet the needs of personalized customization,

We will wholeheartedly, carefully to build every kind of products, so that you can enjoy your kitchen!

# 整體爐附件選擇

## Selection of accessories



### 整體爐造型選擇 DIFFERENT STYLES SELECTION

整體臺面3MM304#不銹鋼刨坑處理  
*Completely SUS304 stainless steel to manufacture countertop*



### 整體爐造型選擇 DIFFERENT STYLES SELECTION

可結合現場需求定制邊角結構  
*Type of table top corner can be specified according needs*



### 水龍頭的選擇 DIFFERENT TYPES OF FAUCETS CAN BE SPECIFIED



### 多種旋鈕可選 DIFFERENT TYPES OF KNOBS CAN BE SPECIFIED



### 燈光裝飾 LIGHT DECORATION

## 外觀烤漆多種顏色可選

### MULTIPLE COLOR SELECTION FOR OUTLOOK APPEARANCE



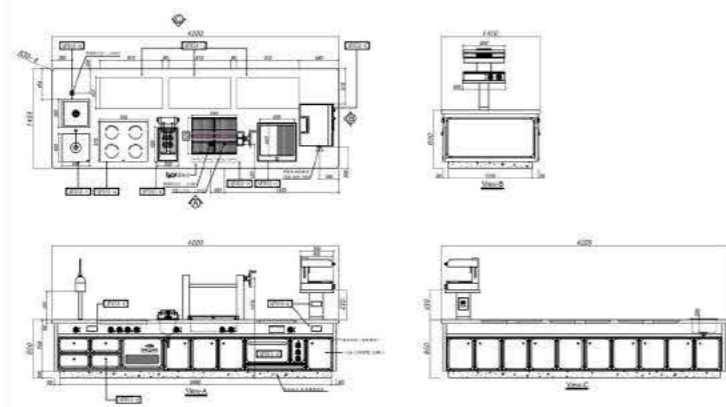
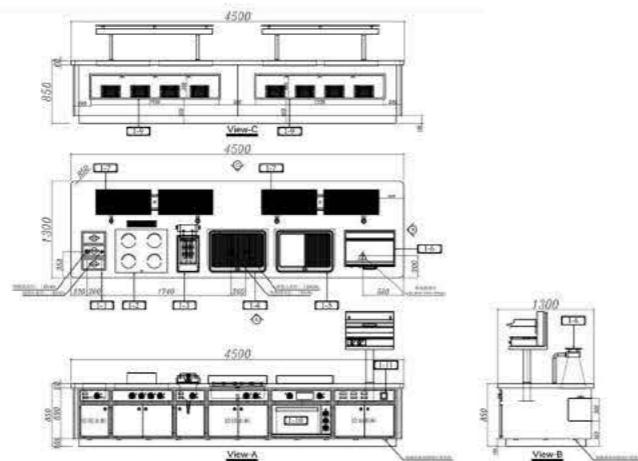
Markphili提供不同的顏色選擇，以滿足不同的裝修風格。



產品特征  
FEATURES

开放式的空间规划, 清晰的建筑轴线, 整体厨房设计将烹饪和生活融为一体, 形成了整个完整构思的生活空间。厨岛区域和浅色木板区域完美无缝融合。斜切加工的抽屉式储物柜与组合侧板优雅地结合在壹起。

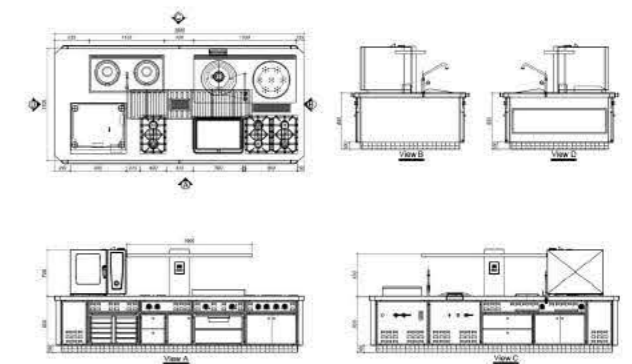
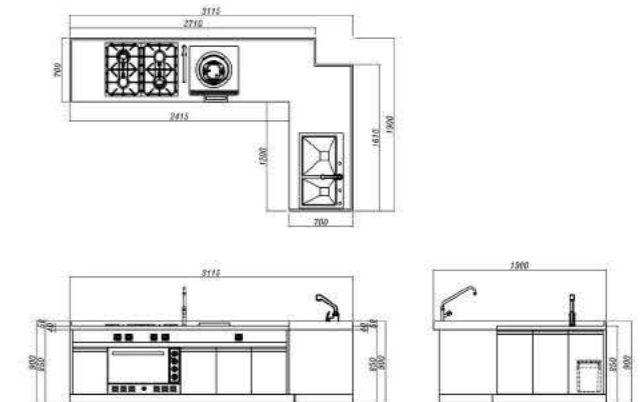
Open space planning, clear building axis, the overall kitchen design will be cooking and life into one, forming a complete concept of living space. The kitchen island area and light wood area are seamlessly integrated. The drawer type storage cabinet with oblique cutting process is elegantly combined with the combined side plate.



產品特征  
FEATURES

作為廚房區域的完美延續, 生活空間融合了視覺和功能上的氛圍。由開放式和封閉式擱板以及抽屜插入式分隔的元素巧妙地用作於內部隔板設計: 它可以在兩個區域內實現可見的視覺效果, 卻不會暗示它們的存在, 從而在房間內建立起和諧的融合與交流。

As a perfect continuation of the kitchen area, living space combines visual and functional atmosphere. The elements separated by open and closed shelves and drawer insert type are ingeniously used in the design of internal partition: it can achieve visible visual effects in the two areas, but does not imply their existence, so as to establish a harmonious integration and communication in the room.

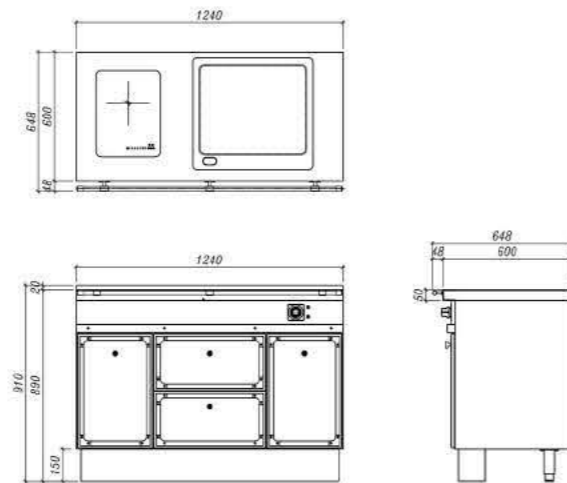
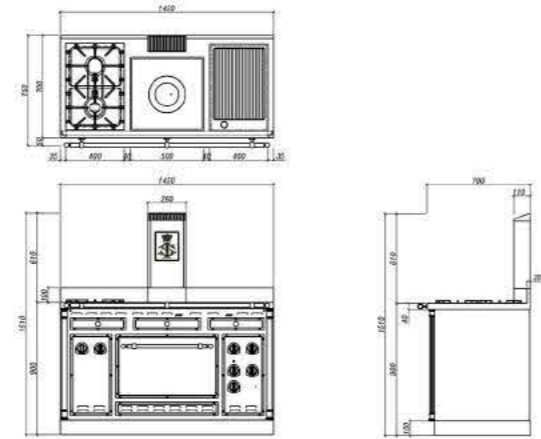




產品特征  
FEATURES

簡單的要素與傳統結合在壹起，創建出永恒的時尚。  
功能性的幾何形狀組成安排了壹個完美的設計，這壹創意可以讓妳以壹種創新的、現代的和意想不到的方式玩弄形狀和使用家中壹歡樂的空間。

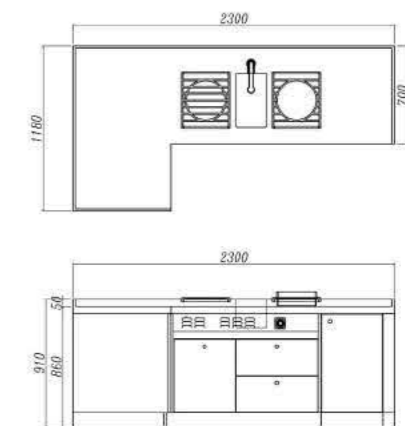
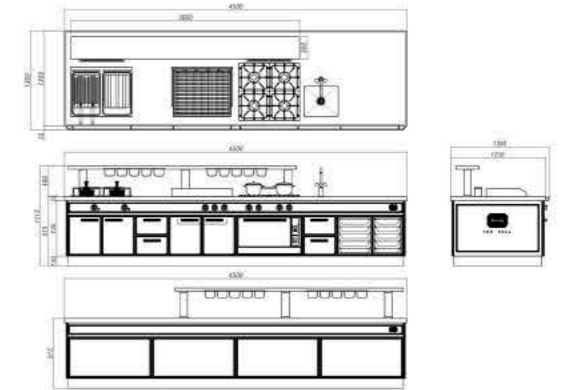
Simple elements combine with tradition to create eternal fashion.  
The functional geometry forms a perfect design, which allows you to play with shapes and use the happiest space in your home in an innovative, modern and unexpected way.



產品特征  
FEATURES

Fuler產品融入藝術設計，能夠傳遞情感和表現大功能性，還能提供較為簡約的外觀，結合優雅的專屬定制能力，來實現不同的尺寸、顏色、理念和功能。所有這壹切都源自於蘊含關注市場潮流、創意和技術的強化過程。

With the integration of art and design, Fuler products can convey emotions and show great functionality, and also provide a relatively simple appearance. Combined with the elegant exclusive customization ability, it can realize different sizes, colors, concepts and functions. All of these stem from the process of strengthening which contains attention to market trends, creativity and technology.

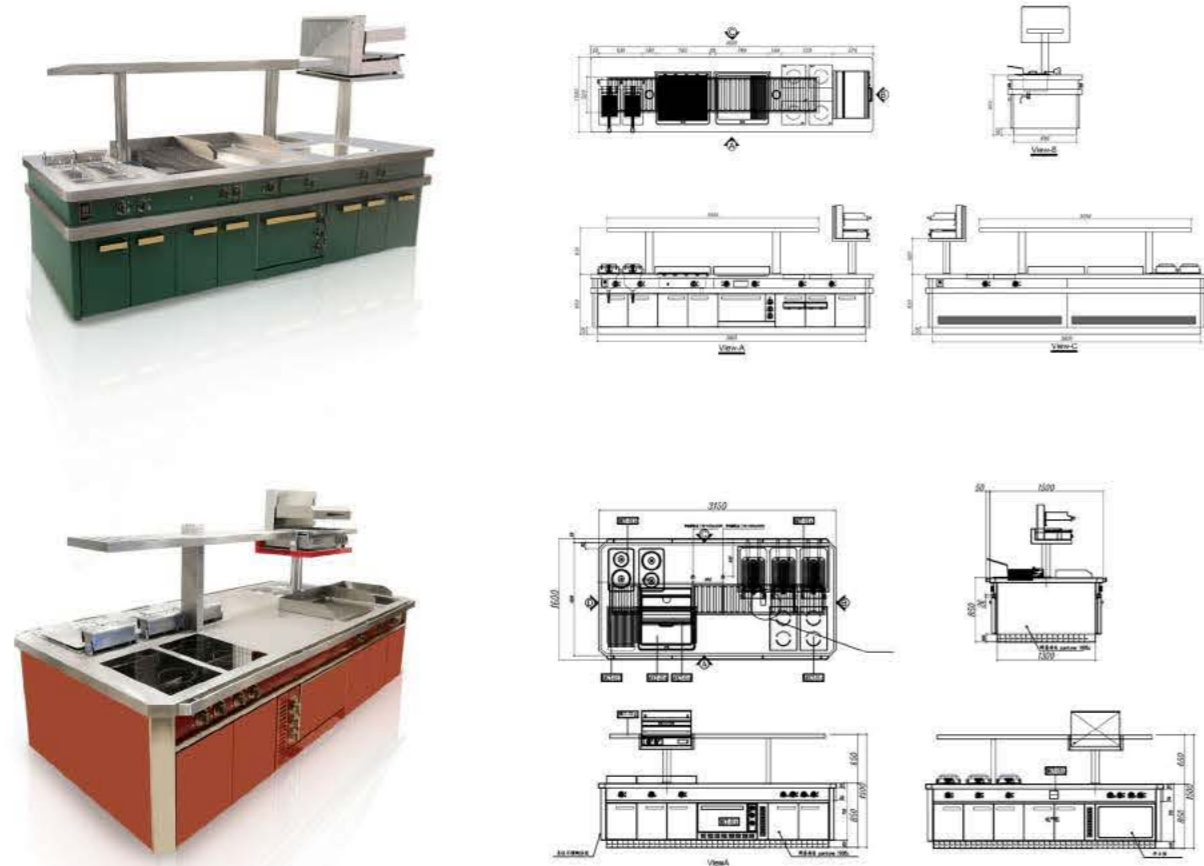






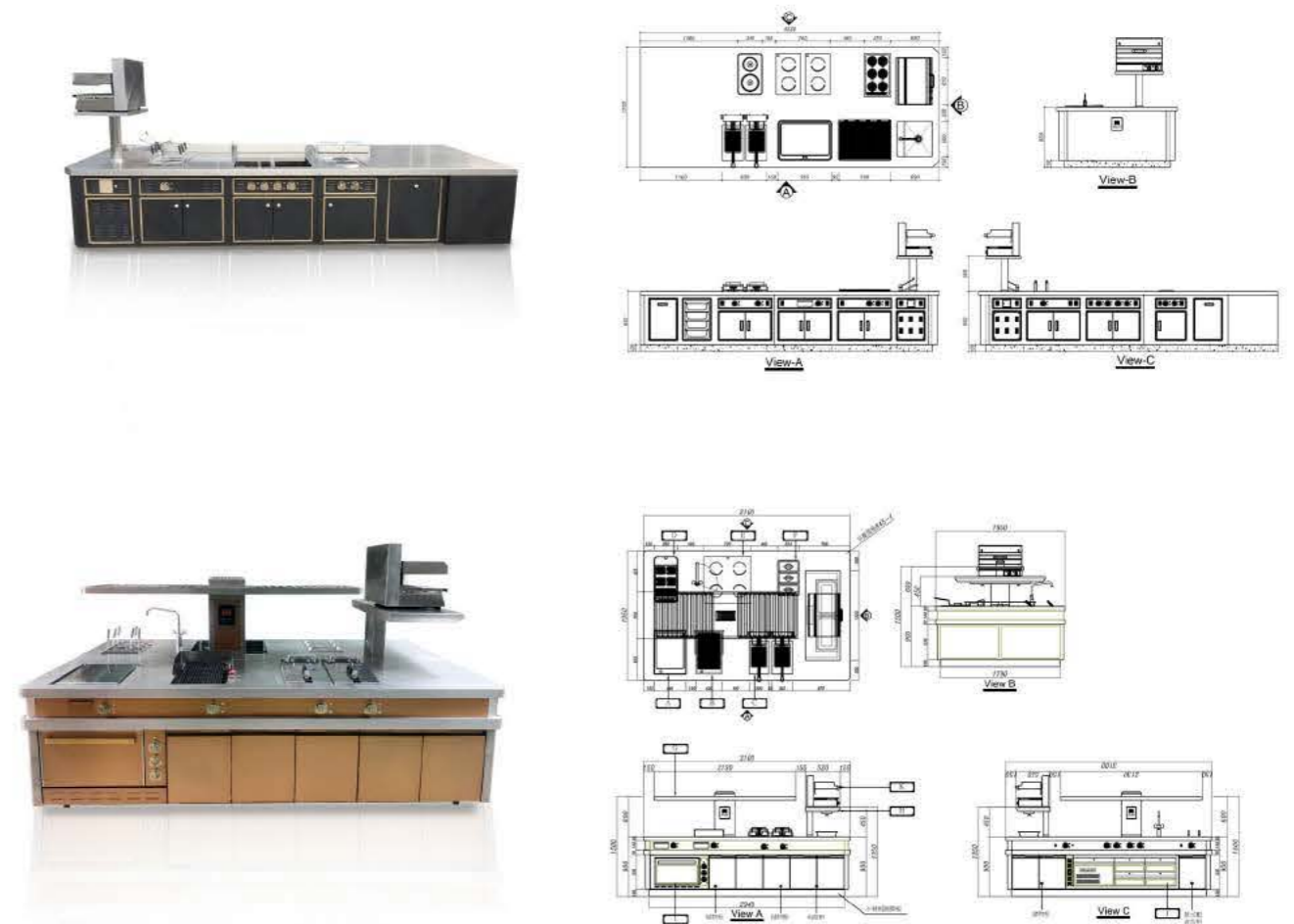
產品特征  
FEATURES

一体炉具以其布局美观、节省空间、流程合理、清洁卫生、有利于厨师交流沟通、提高工作效率等特点，深受使用者和客户的喜爱，一体炉是开放式厨房重要的组成部分之一。  
The cooking block is one of the important layout in the open kitchen, and mainly feature is beautiful layout, save space, rational process and hygiene, convenient chefs communication with high efficiency.



產品特征  
FEATURES

開放式廚房採用經典的雙排設計。壹面廚師操作功能、壹面是食物保溫功能、方便客人與廚師之間的交流；保溫熱板下端放置餐碟，方便客人取餐，另設計有燈光效果，造型美觀；以煙囪作為層架支撐的設計，結構簡潔，使臺面的操作空間更大，視覺效果更好；整體臺面及圓角的設計提高了衛生標準。  
This cooking block adopted double row design, one side is operation, another side is food warm function which convenient for customer communication with chefs. The dish cabinet designed illumination decoration which convenient for customer take food. The chimney as the shelf supporter with simply construction and big operation space and perfect visual effect. One piece countertop and round corner improving the hygiene standard.



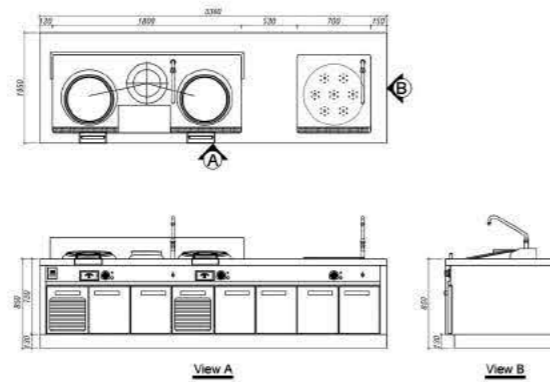
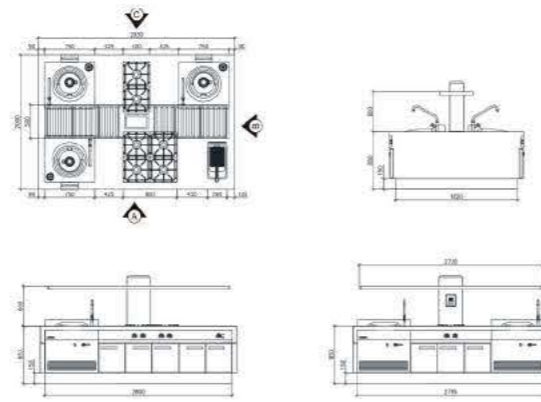


產品特征

FEATURES

中式壹體爐,採用整體台面雙面操作佈局,十臺靜音中式炒爐分佈兩側,每兩個炒爐共用壹個尾鍵,整體爐的壹側配置2臺矮仔爐,方便食物烹飪,整體爐採用上下分離式結構,集成化的設計既方便運輸又不破壞臺面的整體性,現場製作整體爐的炒爐爐體,降低搬運難度。

Chinese cooking block—one piece cooking worktop with double row design. 5 PCS chinese cooking wok at each operation side. The cooking block equipped with 2 PCS stock pot stove at another side which meet the operation requirement. The cooking block adopted separation design and intergrated design which convenient for transport and also keep the worktop wholeness. The chamber produced on site, decrease the transport difficulty.

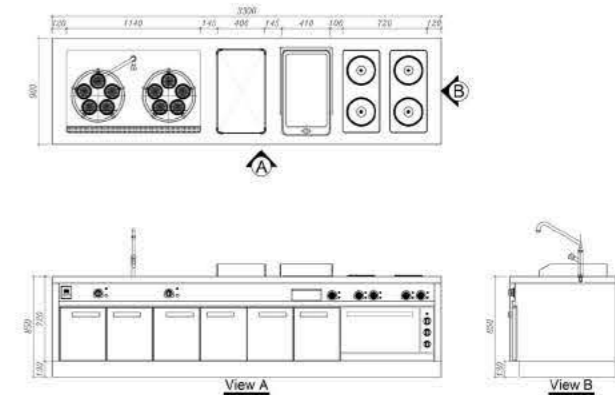
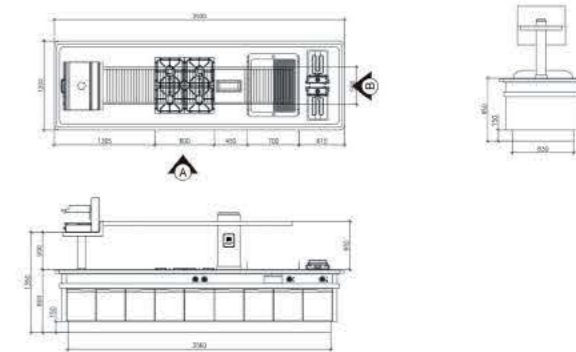


產品特征

FEATURES

MARKPHILI壹體爐可以按照客戶要求單獨設計和制造,並考慮到中西餐的結合的每個細節進行完美組合,獨特的設計加上精緻的外觀成就了絕無僅有的佳作;完全符合各種廚房的實際要求。

Markphili cooking block can be tailor made according to customer requirements. Perfect combination with the details of chinese cooking range and western cooking range. Uniquely design with beautiful appearance and stabilized performance that becomes a masterpiece of cooking equipment. Multi cooking functions for options that we can meet your kinds of food cooking requirement.





產品特征

FEATURES

整體爐采用正方形布局, 臺面和側板采用整體造型, 四個側面都可以操作, 配置不同的功能設置; 四個腳采用橋墩式設計, 中空, 以四個煙囪為支架組成的環形層架, 減少額外配置支柱而導致的視覺混亂。黑色烤漆面板, 配以金色把手及旋鈕, 實現功能及美觀的統壹。

Adopted square layout, one piece worktop and side plate. Each side configured different function for operation. The four feet adopted pier structure, designed the four chimney as the shelf holder. Black painting color side plate with golden color handle and knob to achieve beautiful appearance.

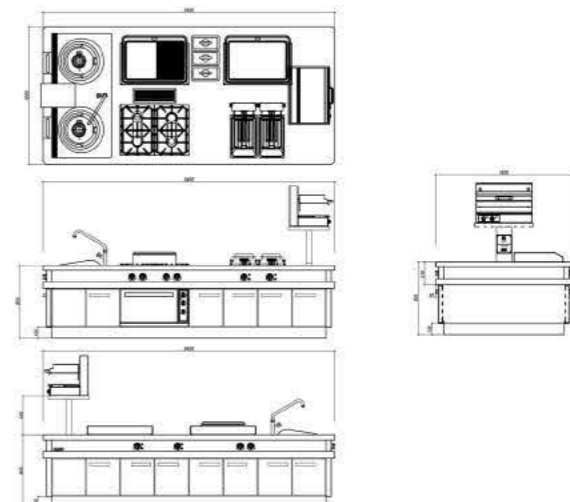
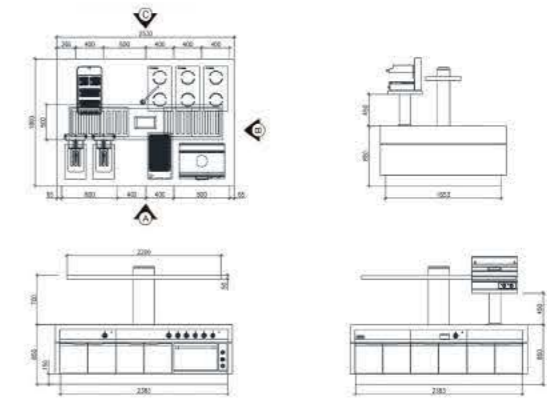
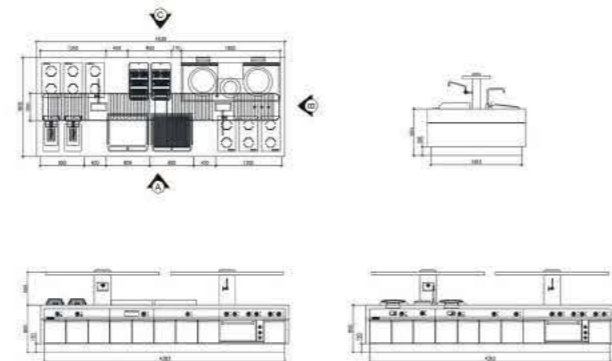
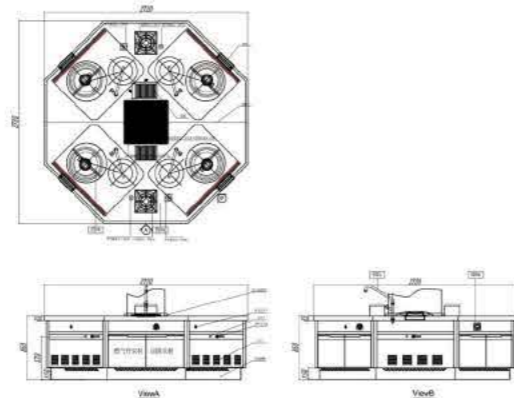


產品特征

FEATURES

單排布局的整體爐, 采用中西餐設備結合, 中島式布置, 紅色的烤漆面板及不銹鋼色的包邊柱, 使爐具的布局非常緊湊, 實現更高的衛生標準

Single line operation and combination chinese cooking range and western cooking range together. Mid-island design with red painting color and SS cover board, compact layout and hygiene.

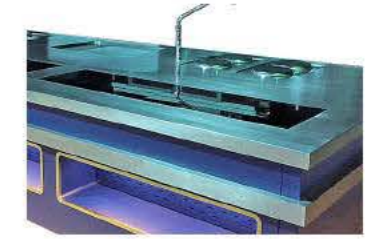
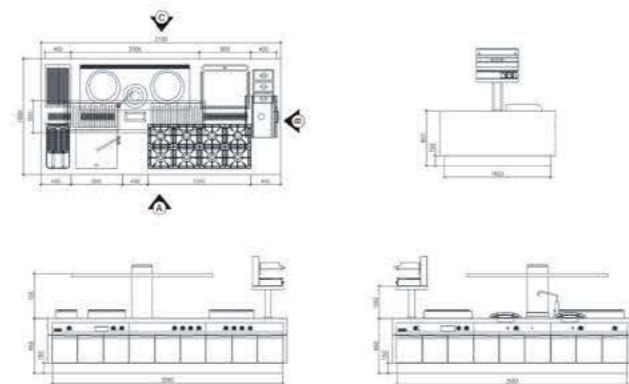
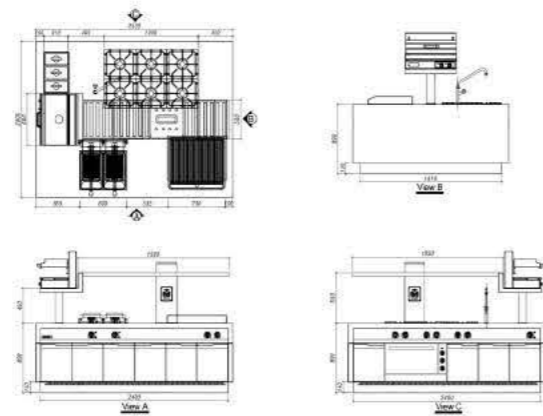




產品特征  
FEATURES

中西結合壹體爐具結合中西元素量身定制，無論妳喜歡何種菜系，我們都可以滿足妳的烹飪要求，多種模塊可選。

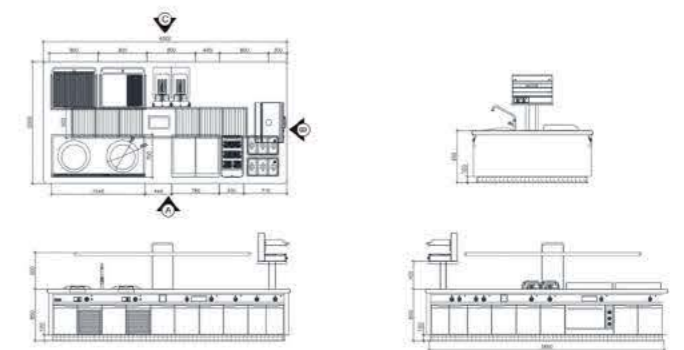
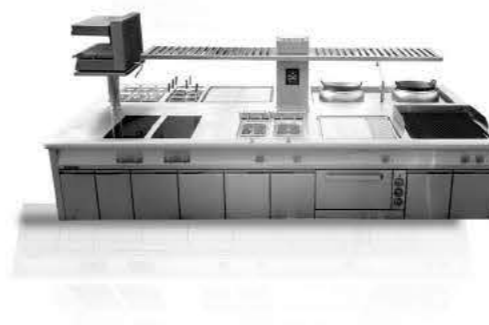
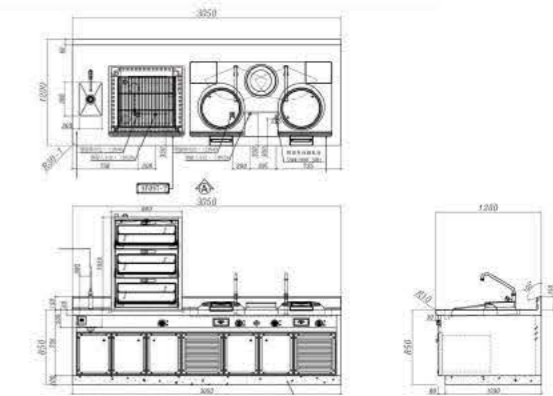
Combination with Chinese-Western elements to designed the cooking block, multi function for options. Can meet kinds of cooking requirement.



產品特征  
FEATURES

采用瑪克的經典款型，臺面及面板四周向外延伸，長條金色的門把手，在同壹水平高度，所有櫃體門尺寸相同。3毫米的不銹鋼臺面，四周帶圓角設計，客人取餐壹側配置有三臺保溫爐，下部帶有裝飾燈的餐盤櫃，方便客人取餐；有利於廚師和客人之間面對面交流；取消層架，取而代之采用了壹臺面火爐及支架，使廚房的通透性更強，食物上方配置壹排熱燈，實現功能性與美觀性的完美結合。整體爐線條硬朗，配以深藍色的烤漆和金屬壓條，改變了單調的不銹鋼顏色，實現設備與用餐環境的融合。

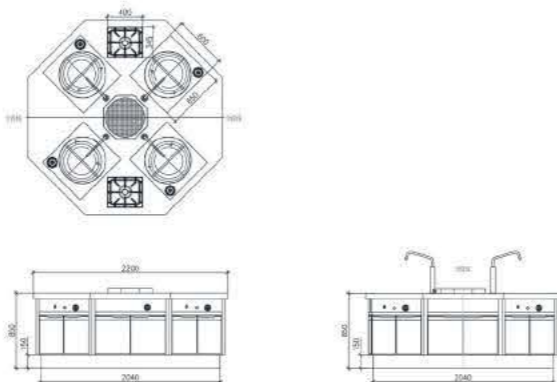
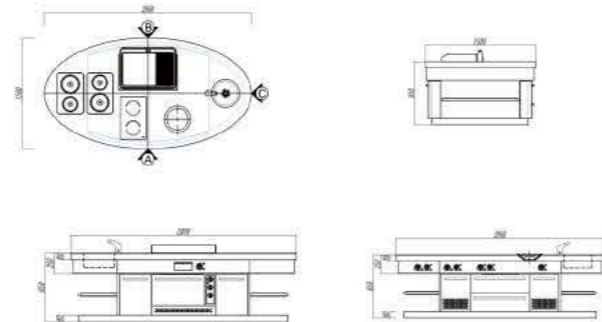
Adopted Markphili classic type, built-in type of every function equipment. same size cabinet with golden color handle, 3 mm thickness worktop, equipped with 3 PCS warmer plate at take food side. the bottom dish cabinet had designed illumination decoration which convenient for customer take food and communication with chefs. the salamander and holder instead of the whole shelf with better transmittance, installed with heating lamp on the top of food to achieved artistic and functional. The tough lines and blue painting color had changed the stainless steel cold color and perfect combination with the site environment.





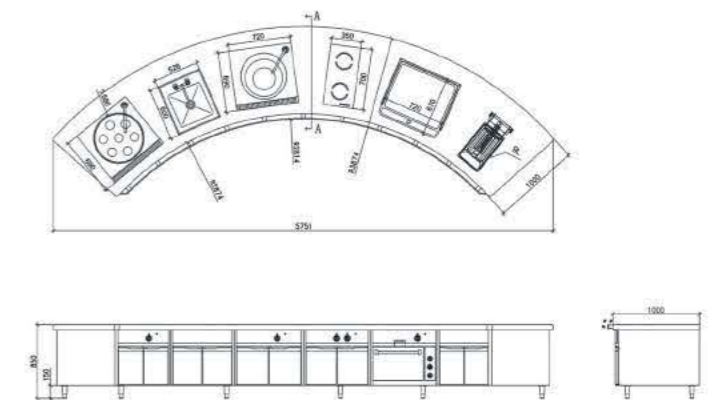
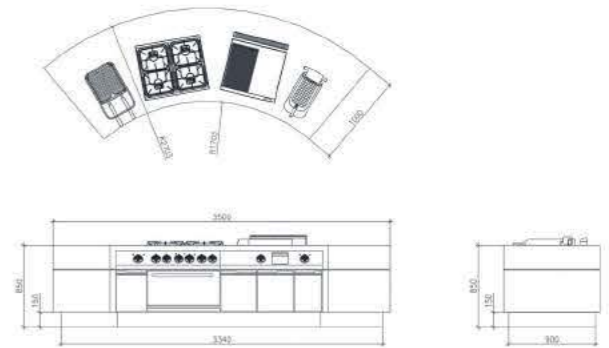
**產品特征**  
**FEATURES**

整體無縫臺面采用3mm厚的304不銹鋼制造,表面手工無序紋路;多種模塊可選。  
One piece 3mm S/S worktop with polish treatment , Multi heating function for options.



**產品特征**  
**FEATURES**

扇形壹體爐的布局,將所需功能設備在壹個扇形整體臺面上展開,方便操作者講解和展示。  
扇形布局適合培訓學校或需要講解現場操作的場所。  
Fan type cooking block:all of functions had intergrated at fanshape worktop,convenient for chefs operation or showing. This layout suitable for training school or open kitchen rooms using.





精美项目案例分享：成都十域  
Case sharing of exquisite projects: Chengdu Fields Avant



精美项目案例分享：成都十域  
Case sharing of exquisite projects: Chengdu Fields Avant



精美项目案例分享：杭州滨江嘉悦里希爾頓酒店  
Case sharing of exquisite projects: Hilton Hotel Hangzhou Binjiang jiayueli





## Day' s Hotel Changsha



精美项目案例分享：长沙紫鑫戴斯大酒店  
Case sharing of exquisite projects: Day' s Hotel  
Changsha



精美项目案例分享：长沙紫鑫戴斯大酒店  
Case sharing of exquisite projects: Day's Hotel Changsha







精美项目案例分享：福州泰禾铂尔曼酒店  
Case sharing of exquisite projects: Fuzhou Tahoe Pullman Hotel



精美项目案例分享：北京金融街丽思卡尔顿酒店  
Case sharing of exquisite projects:  
The ritz carlton, Beijing financial street hotel



## The ritz carlton, Beijing financial street hotel

精美项目案例分享：北京金融街丽思卡尔顿酒店  
Case sharing of exquisite projects:  
The ritz carlton, Beijing financial street hotel



精美项目案例分享：上海江橋铂驛酒店  
Case sharing of exquisite projects: The Qube Hotel Shanghai JIANGqiao



## Great Hall of the people of China



精美项目案例分享：中國人民大會堂  
Case sharing of exquisite projects: Great Hall of  
the people of China





精美项目案例分享：行膳餐饮研究院启动盛典  
Case sharing of exquisite projects: Culinary Academy



精美项目案例分享：行膳餐饮研究院启动仪式  
 Case sharing of exquisite projects: Culinary Academy



精美项目案例分享：上海佘山茂御臻品之选酒店  
Case sharing of exquisite projects: Hilton Hotel Hangzhou Binjiang jiyueli



## Polux Shanghai Xintiandi

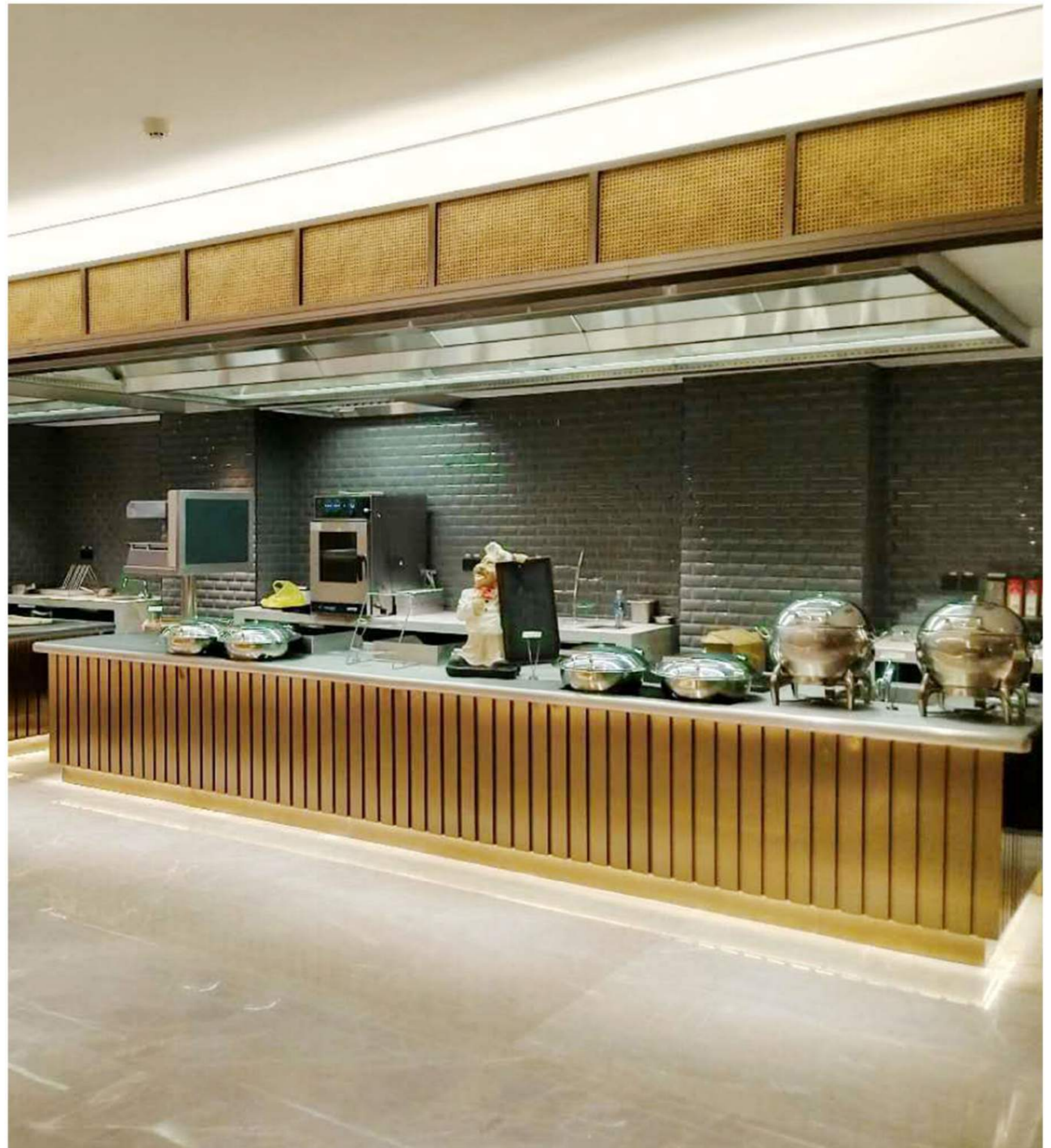


精美项目案例分享：上海新天地 Polux 餐廳  
Case sharing of exquisite projects: Polux Shanghai Xintiandi



精美项目案例分享：上海新天地 Polux 餐厅  
Case sharing of exquisite projects: Polux Shanghai Xintiandi

Double Tree  
by Hilton  
Shanghai Jing'an



精美项目案例分享：上海静安希爾頓逸林酒店  
Case sharing of exquisite projects: Double Tree by Hilton Shanghai Jing'an



精美项目案例分享：上海静安希爾頓逸林酒店  
Case sharing of exquisite projects: Double Tree by Hilton Shanghai Jing'an



精美项目案例分享：浙江乌镇度假酒店  
Case sharing of exquisite projects: Zhejiang Wuzhen Resorts





## Tao Yuan Sheraton Taiwan



精美項目案例分享：臺灣桃園喜來登酒店  
Case sharing of exquisite projects: Tao Yuan Sheraton Taiwan



精美項目案例分享：臺灣桃園喜來登酒店  
Case sharing of exquisite projects: Tao Yuan Sheraton Taiwan



精美項目案例分享：南京旅遊職業學校  
Case sharing of exquisite projects: Nanjing Institute of Tourism&Hospitality



精美項目案例分享：成都航發研究中心  
Case sharing of exquisite projects: Nestle Chengdu R & D center kitchen



精美项目案例分享：成都航發研究中心  
Case sharing of exquisite projects: Nestle Chengdu R & D center kitchen





## Amara Signature Shanghai

精美项目案例分享：上海安曼纳卓悦酒店  
Case sharing of exquisite projects: Amara Signature Shanghai



Longyan Jinghua  
Fliport Hotel

精美项目案例分享：龍巖京華佰翔酒店  
Case sharing of exquisite projects: Longyan Jinghua Fliport Hotel





精美项目案例分享：青岛万达希尔顿逸林酒店  
Case sharing of exquisite projects: Qingdao  
Wanda Double Tree by Hilton Hotel





精美项目案例分享：青岛万达希爾頓逸林酒店  
Case sharing of exquisite projects: Qingdao Wanda Double Tree by Hilton Hotel



精美项目案例分享：綿陽科技城·綿陽會議展覽中心  
Case sharing of exquisite projects:  
Mianyang Science and Technology City, Mianyang Convention and Exhibition Center



精美项目案例分享：福清喜来登酒店  
Case sharing of exquisite projects: Sheraton Fuqing Hotel





精美項目案例分享：雀巢成都研發中心廚房  
Case sharing of exquisite projects: Nestle Chengdu R & D center kitchen





## Nestle Chengdu R & D center kitchen

精美项目案例分享：雀巢成都研发中心厨房  
Case sharing of exquisite projects: Nestle Chengdu R & D center kitchen



## Hangzhou Zhongce Vocational School



精美项目案例分享：杭州中策培训学校  
Case sharing of exquisite projects: Hangzhou Zhongce Vocation School



Hyatt House  
Hotel



精美項目案例分享：成都凱悅嘉寓酒店  
Case sharing of exquisite projects: Hyatt House  
Hotel



## BeiJing Friendship Hotel



精美项目案例分享：北京友谊宾馆  
Case sharing of exquisite projects: Beijing  
Friendship Hotel



# 搖擺湯鍋系列

## TILTING KETTLE



### 產品性能 PRODUCT PERFORMANCE

全不銹鋼機身結構 特制爐頭, 採用火盤式加熱; 鍋體 SUS304 不銹鋼 3mm, 壹體沖壓成型 採用三夾層鍋體和獨立式蒸汽發生器, 效率高, 隔熱效果好, 蒸汽對食物進行隔水加熱, 避免食品粘底燒焦; 電動可傾式鍋體設計, 壹鍵傾鍋, 鍋體的傾斜角度超過 90 度; 蒸汽發生器帶水位控制器和自動水位調節器; 設置超壓保護、超溫保護、缺水保護功能; 按鈕式自動傾斜、復位鍋體; 雙聯電磁閥分步控制, 火種未點燃時, 主氣閥不打開

Completely SS structure with 3mm and special manufacture burner, one punched pot body with triple jacket, set up independent steaming generator, High efficiency and better insulation effect. Indirect heating food material to prevent scorched. Electric driving tilting, one button tilting and reset, tilting angle more than 90 degree. Automatically cut off the power supply and gas supply when kettle left zero position. The steaming generator had equipped with water level sensor and water level regulator, set up over temperature protection and over temperature protection. Stepwise controlled by duplex solenoid valve, the main gas valve doesn't open until the pilot ignites.



# 可傾式炒鍋系列

## TILTING BRATT PAN



### PRODUCT PERFORMANCE

The tilting series adopted indirect heating type, set up one button tilting and reset. The tilting angle more than 90 degree. Set up heating power adjust device. Automatically cut off the power supply and gas supply when kettle left zero position. Double jacket pot body with over temperature protection. SS 10mm heating plate, inner round corner treatment, can be used for frying, stewing and boiled and other functions.



### 產品性能 PRODUCT PERFORMANCE

可傾式炒鍋採用為間接式加熱方式對食物進行加熱; 設備按鈕式自動傾倒、復位鍋體、可傾式超過90度; 設置可調節火力大小裝置; 當鍋體離開工作位置時, 自動切斷電源或燃氣。雙層鍋體, 設計超溫保護功能, 加熱面為10mm厚不銹鋼板, 內部圓角處理, 可用做煎、炒、燉、煮等多種功能。



产品特征  
FEATURES

設備採用為間接式加熱方式對食物進行加熱  
配置按鈕式自動傾倒、復位鍋體、可傾斜度超過90度  
設置可調節火力大小裝置  
當鍋體離開工作位置時，自動切斷電源或氣源  
三層夾層鍋體和獨立式蒸汽發生器設計超壓保護、超溫保護、缺水保護功能  
蒸汽發生器帶水位控制器和自動水位調節器  
加熱時間35~40分鐘左右

The tilting series adopted indirect heating type, set up one button tilting and reset, tilting angle over 90 degree. Set up heating power adjustment device. Automatically cut off the power supply and gas supply when kettle left zero position. triple jacket body shell with over pressure protection, over temperature protection and water lack protection. the steaming generator had equipped with water level sensor and water level regulator. boiled time: 35 to 40 minutes

搖擺湯鍋系列 Tilting Kettle



燃氣系列 Gas series

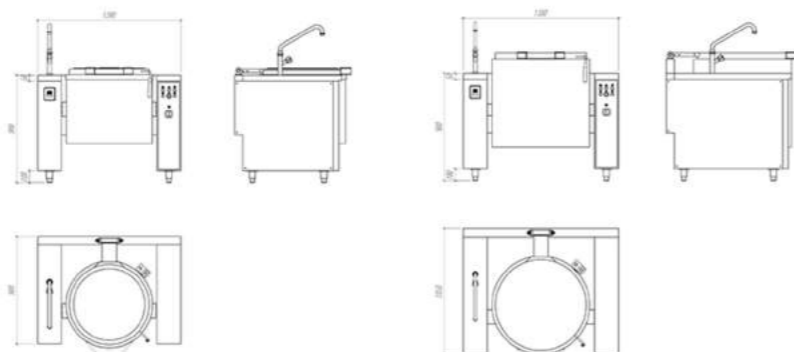
型號 Model	規格(mm) Specification (mm)	熱負荷 thermal load	电压/功率 Voltage / power	進氣口 Intake port	進水口 Intake	容量 capacity
M-TSP80-G	1200x900x900	32kW	380V/0.2kW	DN20	DN15	80L
M-TSP100-G	1200x900x900	32kW	380V/0.2kW	DN20	DN15	100L
M-TSP150-G	1250x900x900	36kW	380V/0.2kW	DN20	DN15	150L
M-TSP200-G	1300x1050x900	40kW	380V/0.2kW	DN20	DN15	200L
M-TSP300-G	1400x1050x900	48kW	380V/0.2kW	DN20	DN15	300L

電熱系列 Electric series

型號 Model	規格(mm) Specification (mm)	額定電壓 Rated voltage	額定功率 Rated power	進水口 Intake	容量 capacity
M-TSP80-E	1200x900x900	380V	12kW	DN15	80L
M-TSP100-E	1200x900x900	380V	12kW	DN15	100L
M-TSP150-E	1250x900x900	380V	18kW	DN15	150L
M-TSP200-E	1300x1050x900	380V	24kW	DN15	200L
M-TSP300-E	1400x1050x900	380V	36kW	DN15	300L

蒸汽系列 Steam series

型號 Model	規格(mm) Specification (mm)	耗電量 Power consumption	电压/功率 Voltage / power	進氣口 Intake port	進水口 Intake	容量 capacity
M-TSP80-Q	1200x900x900	25kg/h	380V/0.2kW	DN20	DN15	80L
M-TSP100-Q	1200x900x900	30kg/h	380V/0.2kW	DN20	DN15	100L
M-TSP150-Q	1250x900x900	40kg/h	380V/0.2kW	DN20	DN15	150L
M-TSP200-Q	1300x900x900	45kg/h	380V/0.2kW	DN20	DN15	200L
M-TSP300-Q	1400x1050x900	65kg/h	380V/0.2kW	DN20	DN15	300L



产品特征  
FEATURES

設備採用為間接式加熱方式對食物進行加熱  
配置按鈕式自動傾倒、復位鍋體、可傾斜度超過90度  
設置可調節火力大小裝置  
當鍋體離開工作位置時，自動切斷電源或氣源  
雙層鍋體，設計超溫保護功能  
加熱面為12mm厚不銹鋼板  
內部圓角處理 可用做煎、炒、燉、煮等多種功能

The tilting series adopted indirect heating type, set up one button tilting and reset, tilting angle over 90 degree. Set up heating power adjustment device. Automatically cut off the power supply and gas supply when kettle left zero position. Multi layer body shell with over pressure protection, over temperature protection and water lack protection. SS 12mm heating plate. Inner round corner treatment, can be used for frying, stewing and boiled and other functions.

可傾式炒鍋 Tilting Bratt Pan series

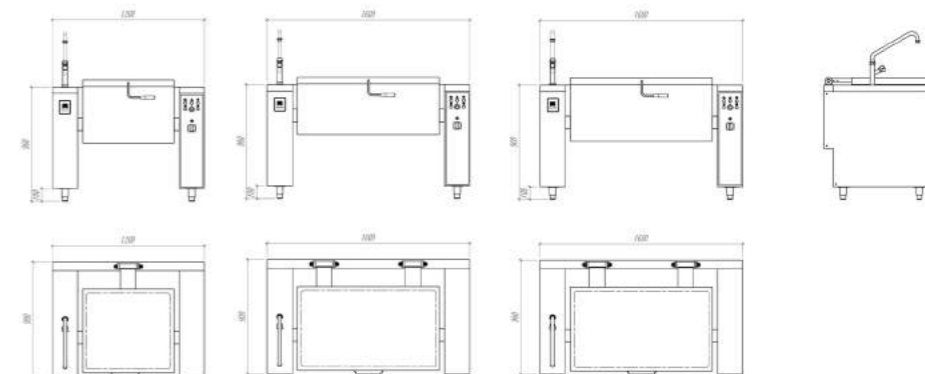


燃氣系列 Gas series

型號 Model	規格(mm) Specification (mm)	熱負荷 thermal load	电压/功率 Voltage / power	進氣口 Intake port	進水口 Intake	容量 capacity
M-TFP80-G	1200x900x900	14kW	380V/0.2kW	DN20	DN15	80L
M-TFP100-G	1200x900x900	14kW	380V/0.2kW	DN20	DN15	100L
M-TFP120-G	1600x900x900	21kW	380V/0.2kW	DN20	DN15	120L
M-TFP150-G	1600x900x900	21kW	380V/0.2kW	DN20	DN15	150L
M-TFP170-G	1600x900x900	21kW	380V/0.2kW	DN20	DN15	170L

電熱系列 Electric series

型號 Model	規格(mm) Specification (mm)	額定電壓 Rated voltage	額定功率 Rated power	進水口 Intake	容量 capacity
M-TFP80-E	1200x900x900	380V	12kW	DN15	80L
M-TFP100-E	1200x900x900	380V	12kW	DN15	100L
M-TFP120-E	1600x900x900	380V	18kW	DN15	100L
M-TFP150-E	1600x900x900	380V	18kW	DN15	150L
M-TFP170-E	1600x900x900	380V	18kW	DN15	170L



# 西餐爐具系列 操作安全方便

WESTERN COOKING RANGE SAFETY AND CONVENIENT



## 產品性能

PRODUCT PERFORMANCE

易於安裝，操作簡單且安全。堅固的不銹鋼機身牢固地固定在可調節的不銹鋼支腳上。可調節的火焰燃燒模式可加快烹飪以及加熱過程。配備雙安全燃氣閥，壹鍵式點火按鈕，可控制引燃火焰和燃氣供應，從而使烹飪流程更加順暢。這些細節使Markphili憑藉其靈活性，高效性和有效性而成為現代專業廚房的頂級傑作。

Easy to install, simple and safe to operate. Robust stainless steel body sits firmly on adjustable stainless steel legs. Tuneable flame burning patterns speed up cooking and heating up process. Equipped with dual safety gas valves, one-touch ignition button that controls pilot flame and supply of gas, precisely smooth up the cooking workflow. These details enhance Markphili to be a premium masterpiece in modern professional kitchen by its performance in flexibility, efficiency and effectiveness.



## 西餐目錄 WESTERN COOKING RANGE CONTENTS

### 燃氣落地系列 GAS FLOOR SERIES

落地式燃氣扒爐	FLOOR STAND GAS GRIDDLE	100
落地式燃氣平頭爐	FLOOR STAND GAS RANGE	101
落地式燃氣燒烤爐	FLOOR STAND GAS GRILL	102
落地式燃氣炸爐	FLOOR STAND GAS DEEP FRYER	103
落地式燃氣意粉爐	FLOOR STAND GAS PASTA COOKER	104
落地式燃氣煮面爐	FLOOR STAND GAS NOODLE BOILER	105
落地式燃氣熱板爐	FLOOR STAND GAS SOLID PLATE	106
落地式燃氣炒爐	FLOOR STAND GAS COOKING WOK	107
落地式燃氣蒸爐	FLOOR STAND GAS STEAMER	108
落地式燃氣湯鍋	FLOOR STAND GAS KETTLE	109
落地式燃氣炒鍋	FLOOR STAND GAS BRATT PAN	110

### 電力落地系列 ELECTRIC FLOOR SERIES

落地式電熱扒爐	FLOOR STAND ELECTRIC GRIDDLE	112
落地式電熱平頭爐	FLOOR STAND ELECTRIC RANGE WITH HOT PLATE	113
落地式電熱燒烤爐	FLOOR STAND ELECTRIC GRILL	114
落地式電熱炸爐	FLOOR STAND ELECTRIC DEEP FRYER	115
落地式電熱意粉爐	FLOOR STAND ELECTRIC PASTA COOKER	116
落地式電熱煮面爐	FLOOR STAND ELECTRIC NOODLE BOILER	117
落地式電熱煮面爐	FLOOR STAND ELECTRIC BAIN MARIE	118
落地式電熱蒸爐	FLOOR STAND ELECTRIC STEAMER	119
落地式電熱湯鍋	FLOOR STAND ELECTRIC KETTLE	120
落地式電熱炒鍋	FLOOR STAND ELECTRIC BRATT PAN	121

### 座臺式西餐爐具系列 COUNTERTOP SERIES

座臺式電熱炸爐	COUNTERTOP ELECTRIC FRYER	122
座臺式電熱扒爐	COUNTERTOP ELECTRIC GRIDDLE	122
座臺式電熱燒烤爐	COUNTERTOP ELECTRIC GRILL	123
座臺式電熱平頭爐	COUNTERTOP ELECTRIC RANGE WITH HOT PLATE	123
座臺式電熱意粉爐	COUNTERTOP ELECTRIC PASTA COOKER	124
座臺式電熱保溫湯池	COUNTERTOP ELECTRIC BAIN MARIE	124

### 面火爐系列 SALAMANDER

掛牆式電熱面火爐	WALL MOUNTED ELECTRIC SALAMANDER	125
座臺式電熱面火爐	COUNTERTOP ELECTRIC SALAMANDER	125
座臺式燃氣面火爐	COUNTERTOP GAS SALAMANDER	125

## 西餐爐具特征 FEATURES

- 全不銹鋼機身結構，防水、防潮  
All stainless steel body structure, waterproof, moisture proof
- 現場安裝可調不銹鋼腳，放置平穩  
Adjustable SS feet convenient for install.
- 採用SU304#2.0mm厚工作臺面，整體沖壓成型容易清洗  
Completely S/S body. One punched worktop with 2mm thickness
- 火力調節方便，加熱速度快  
Adjustable heating power with fast heating
- 設置隔熱板和擋火板，提高熱效率，防止外部過熱  
Set up heating insulation material to improve thermal efficiency and prevent external overheating.
- 設置常明火種  
Set up stand pilot fire
- 配備安全制(熱電偶熄火保護裝置)  
Equipped with safety system (thermocouple protection device)
- 採用與安全制聯動，自動脈沖電子點火  
Double gas safety valves with automatic pulse electronic ignition.



產品特征  
FEATURES

全不銹鋼機身結構;可調不銹鋼腳,放置平穩  
採用 SUS 304#2.0 mm 厚工作臺面,整體沖壓成型  
18mm 厚的磨砂精鋼扒板,下沈式的耐熱鋼機板無縫焊接  
在臺面上;火力調節方便,扒板表面溫度分佈均勻,升溫快  
配置抽拉式活動的盛油盆,易於油脂收集及清潔;設置隔  
熱板和擋火板,提高熱效率,防止外部過熱;設置長明火種  
配備安全制(熱電偶熄火保護裝置);採用與安全制聯動,  
自動脈沖電子點火

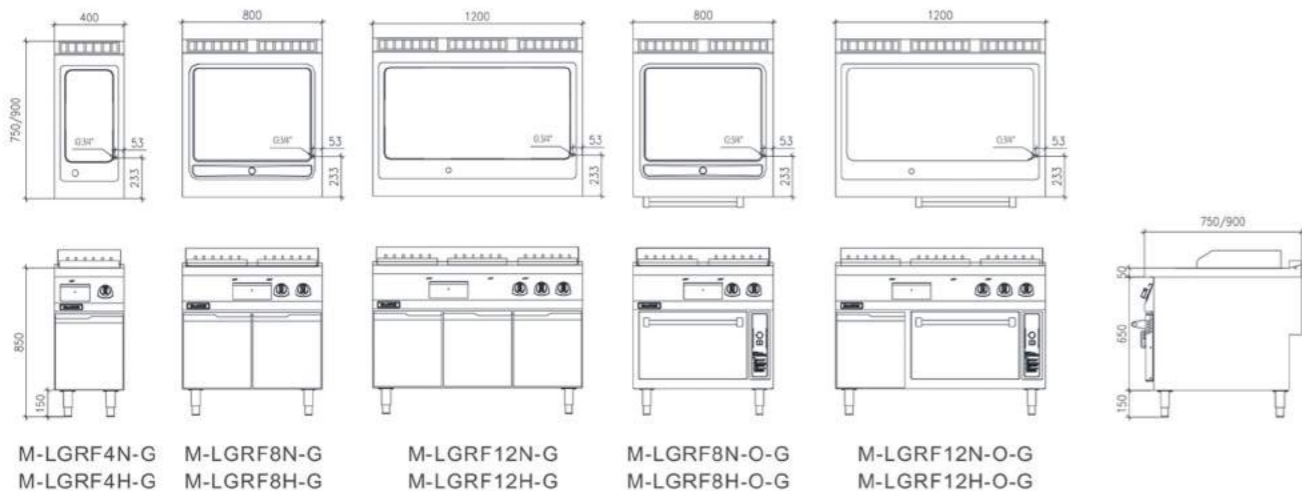
Completely SS body. One punched worktop with 2mm thickness.  
Adjustable SS feet convenient for install. 18mm heating board made by  
premium stainless steel and full welding with the worktop.  
fast heating with thermal even distribution.  
equipped with drawer type grease tray and drainage hole.  
Set up heating insulation material to improve thermal efficiency and prevent  
external overheating.  
Set up stand pilot fire, thermocouple protection device. Double gas safety  
valves with automatic pulse electronic ignition.

落地式燃氣扒爐  
FLOOR STAND GAS GRIDDLE



型號 Model	規格(mm) Specification (mm)	熱負荷 Gas power	進氣口 Gas inlet	備註 Remarks
M-LGRF4N-G/M-LGRP4N-G	400x750x850	6kW	DN20	
M-LGRF8N-G/M-LGRP8N-G	800x750x850	12kW	DN20	
M-LGRF12N-G/M-LGRP12N-G	1200x750x850	18kW	DN20	
M-LGRF8N-O-G/M-LGRP8N-O-G	800x750x850	19kW	DN20	
M-LGRF12N-O-G/M-LGRP12N-O-G	1200x750x850	25kW	DN20	
M-LGRF4H-G/M-LGRP4H-G	400x900x850	7kW	DN20	
M-LGRF8H-G/M-LGRP8H-G	800x900x850	14kW	DN20	
M-LGRF12H-G/M-LGRP12H-G	1200x900x850	21kW	DN20	
M-LGRF8H-O-G/M-LGRP8H-O-G	800x900x850	21kW	DN20	
M-LGRF12H-O-G/M-LGRP12H-O-G	1200x900x850	28kW	DN20	

選配下焗爐帶字母O表示;選配平扒帶字母F表示;選配坑扒帶字母P表示;選配半平半扒帶字母PF表示  
The oven represented by the "O";Choose smooth griddle represented by the "F";Choose groove griddle represented by the "P";Choose half smooth and half groove griddle represented by the "PF".



產品特征  
FEATURES

全不銹鋼機身結構;可調不銹鋼腳,放置平穩  
採用 SUS 304#2.0 mm 厚工作臺面,整體衝壓成型  
特別爐花設計,爐頭為止之間平面可放置平底鍋  
配置抽拉式活動的盛油盆,易於油脂收集及清潔  
單雙圈爐頭交叉配置,多種不同大小火力可選擇  
爐頭防止堵塞;設置長明火種  
配備安全制(熱電偶熄火保護裝置)  
採用與安全制聯動,自動脈衝電子點火

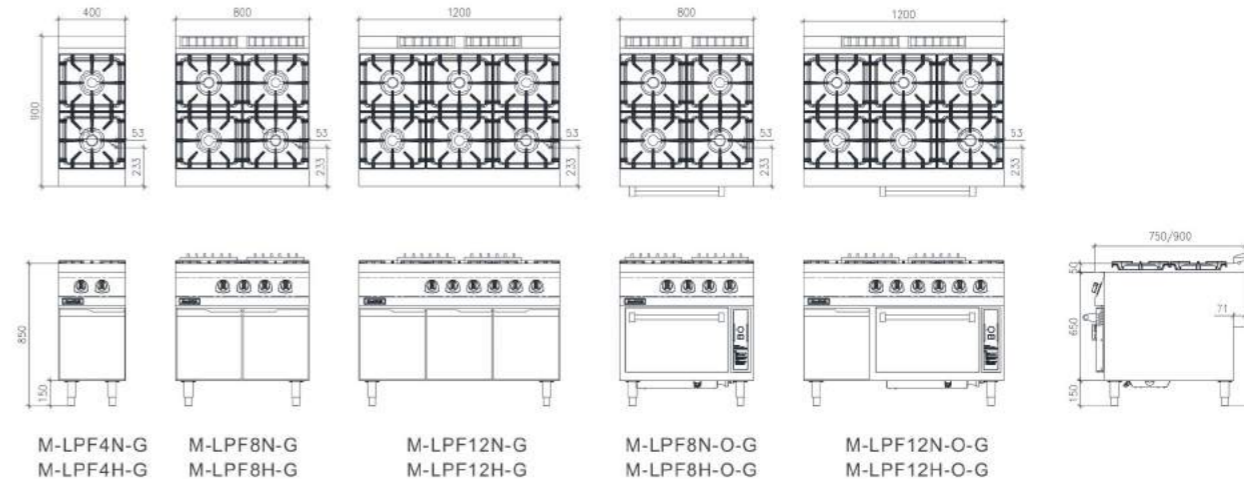
Completely SS body. One punched worktop with 2mm thickness.  
Adjustable SS feet convenient for install  
Special designed grid ,equipped with drawer type grease tray and drainage  
hole ,easily collection and clean .  
Single ring burner and double ring burner cross layout,kinds of heating  
power for options.  
Set up stand pilot fire, thermocouple protection device .Double gas safety  
valves with automatic pulse electronic ignition.

落地式燃氣平頭爐  
FLOOR STAND GAS RANGE



型號 Model	規格(mm) Specification (mm)	熱負荷 Gas power	進氣口 Gas inlet	備註 Remarks
M-LPF4N-G	400x750x850	13kW	DN20	
M-LPF8N-G	800x750x850	26kW	DN20	
M-LPF12N-G	1200x750x850	39kW	DN20	
M-LPF8N-O-G	800x750x850	33kW	DN20	
M-LPF12N-O-G	1200x750x850	46kW	DN20	
M-LPF4H-G	400x900x850	13kW	DN20	
M-LPF8H-G	800x900x850	26kW	DN20	
M-LPF12H-G	1200x900x850	39kW	DN20	
M-LPF8H-O-G	800x900x850	33kW	DN20	
M-LPF12H-O-G	1200x900x850	46kW	DN20	

選配下焗爐帶字母O表示  
The oven represented by the "O"



產品特征  
FEATURES

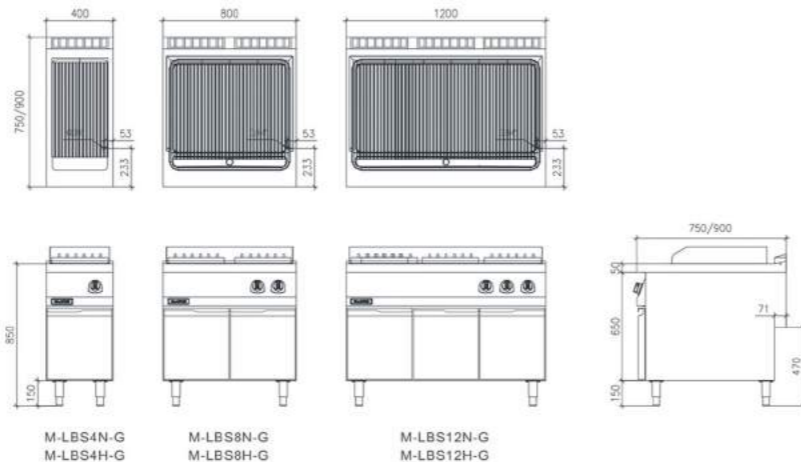
全不銹鋼機身結構;可調不銹鋼腳,放置平穩  
採用 SUS 304#2.0 mm 厚工作臺面,整體衝壓成型  
耐火不銹鋼反熱板加熱,加熱速度快,火力調節反應快配置抽拉式活動的盛油盆,易於油脂收集及清潔  
三面防濺擋板可通過不銹鋼的搭扣完整的拆卸  
設置長明火種;配備安全制(熱電偶熄火保護裝置)  
採用與安全制聯動,自動脈衝電子點火  
獨特的可調角度耐火鑄鐵搪瓷燒烤架,防止燒烤殘油污染食物

Completely SS body. One punched worktop with 2mm thickness. Adjustable SS feet convenient for install.  
Fast heating with thermal even distribution.  
Equipped with drawer type grease tray and drainage hole.  
Set up heating insulation material and reflecting board to improve thermal efficiency.  
Set up removable splash guards around the grid  
Set up stand pilot fire, thermocouple protection device, Double gas safety valves with automatic pulse electronic ignition  
Adopted adjustable angle cast iron grid to prevent the grease polluting the food.

落地式燃氣燒烤爐  
FLOOR STAND GAS GRILL



型號 Model	規格(mm) Specification (mm)	熱負荷 Gas power	進氣口 Gas inlet	備註 Remarks
M-LBS4N-G	400x750x850	7kW	DN20	
M-LBS8N-G	800x750x850	14kW	DN20	
M-LBS12N-G	1200x750x850	21kW	DN20	
M-LBS4H-G	400x900x850	9kW	DN20	
M-LBS8H-G	800x900x850	18kW	DN20	
M-LBS12H-G	1200x900x850	27kW	DN20	



產品特征  
FEATURES

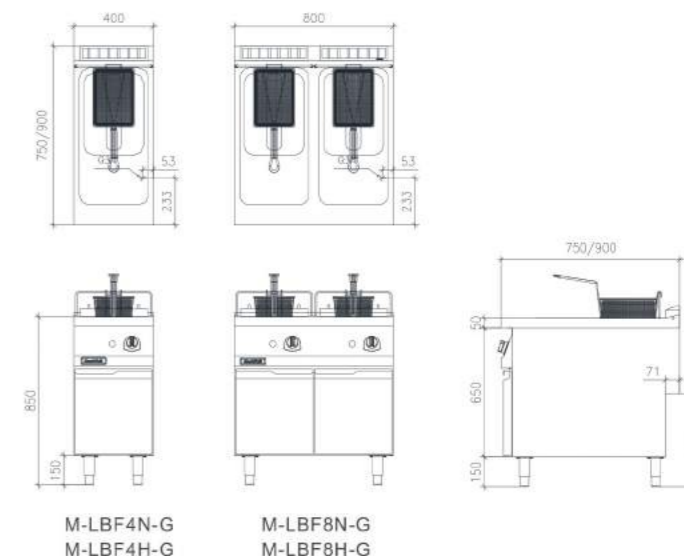
全不銹鋼機身結構;可調不銹鋼腳,放置平穩  
火管式加熱傳熱效率高,可防止粘底及爐體溫度過高  
新型深沖壓式炸缸(18L),炸缸底部有V形冷涼區沈積渣物  
放油閥設置自鎖裝置,防止誤操作  
帶有235°C超溫安全設置,可手動復位  
EGO溫控器,溫度調節60°C~190°C、設置常明火種  
脈沖電子點火;離子熄火保護  
安裝需要預留220V/50Hz/0.2kW用電

Completely SS body. Adjustable SS feet convenient for install.  
Innovation fire tube burner with high heating efficiency to prevent fryer body over heating.  
Deep punched tank (18L) with V-type cold area for store residues.  
Oil drainage had equipped with self lock device to prevent the misoperation.  
EGO temperature controller and temperature range:60°C~190°C.  
Equipped with over temperature protection(230°C)with manual reset  
Set up stand pilot fire, thermocouple protection device, Double gas safety valves with automatic pulse electronic ignition

落地式燃氣炸爐  
FLOOR STAND GAS DEEP FRYER



型號 Model	規格(mm) Specification (mm)	熱負荷 Gas power	進氣口 Gas inlet	備註 Remarks
M-LBF4N-G	400x750x850	12kW	DN20	配1个炸篩
M-LBF8N-G	800x750x850	24kW	DN20	配2个炸篩
M-LBF4H-G	400x900x850	12kW	DN20	配1个炸篩
M-LBF8H-G	800x900x850	24kW	DN20	配2个炸篩



產品特征  
FEATURES

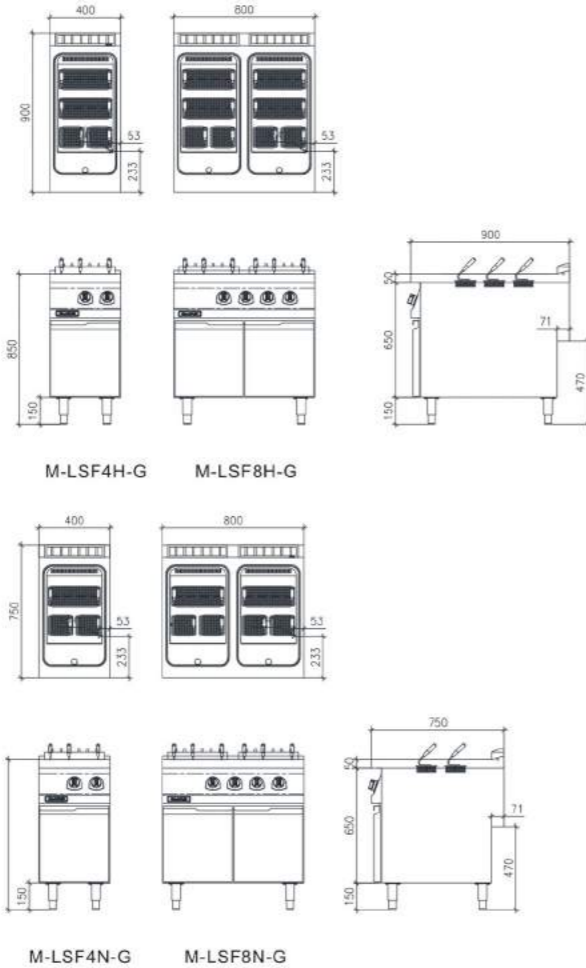
全不銹鋼機身結構;可調不銹鋼腳,放置平穩  
採用 SUS 304#2.0 mm 厚工作臺面,整體衝壓成型  
自動補水,容易清除面渣  
火管式加熱,傳熱效率高,可防止粘底及爐體溫度過高  
沸騰水泡自動爆散麵團,並防止沸水濺溢  
設置溢水槽;煮面缸容量大,升溫速度快  
設置長明火種;配備安全制(熱電偶熄火保護裝置)  
採用與安全制聯動,自動脈衝電子點火

Completely SS body. One punched worktop with 2mm thickness.  
Adjustable SS feet convenient for install.  
Innovation fire tube burner with high heating efficiency to prevent body over heating.  
Automatic refilling water, easily clean noodle residue.  
Automatic divided noodle dough by the boiled water bubble, equipped with overflowing device and big capacity basket.  
Set up stand pilot fire, thermocouple protection device.  
Double gas safety valves with automatic pulse electronic ignition.

落地式燃氣意粉爐  
FLOOR STAND GAS PASTA COOKER



型號 Model	規格(mm) Specification (mm)	熱負荷 Gas power	進氣口 Gas inlet	備註 Remarks
M-LSF4N-G	400x750x850	12kW	DN20	配3个意粉
M-LSF8N-G	800x750x850	24kW	DN20	配6个意粉
M-LSF4H-G	400x900x850	12kW	DN20	配4个意粉
M-LSF8H-G	800x900x850	24kW	DN20	配8个意粉



產品特征  
FEATURES

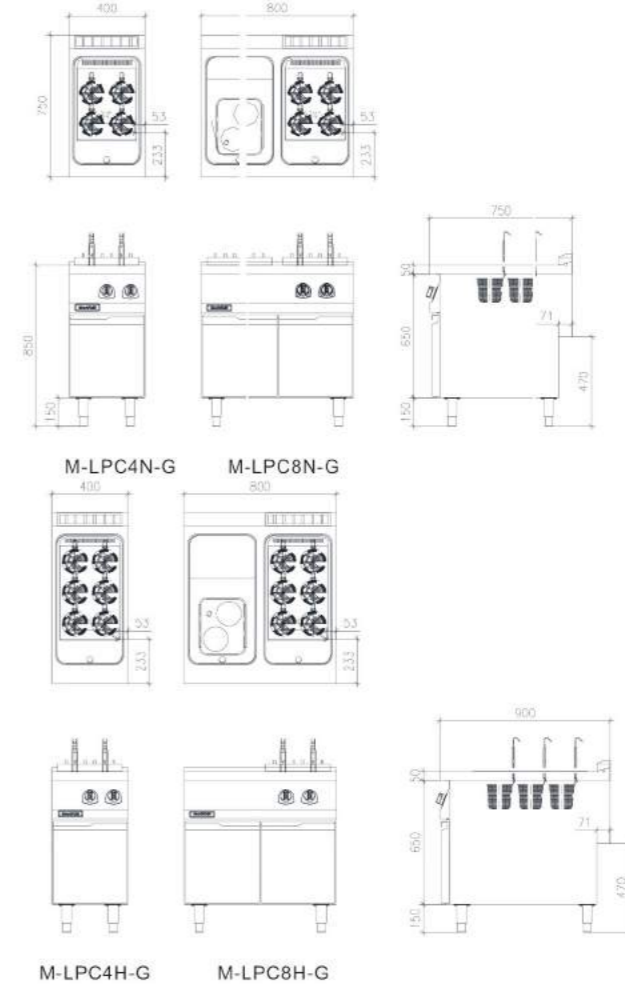
全不銹鋼機身結構;可調不銹鋼腳,放置平穩  
採用 SUS 304#2.0 mm 厚工作臺面,整體衝壓成型  
自動補水,容易清除面渣  
火管式加熱,傳熱效率高,可防止粘底及爐體溫度過高  
沸騰水泡自動爆散麵團,並防止沸水濺溢  
設置溢水槽;煮面缸容量大,升溫速度快  
設置長明火種;配備安全制(熱電偶熄火保護裝置)  
採用與安全制聯動,自動脈衝電子點火

Completely SS body. One punched worktop with 2mm thickness.  
Adjustable SS feet convenient for install.  
Innovation fire tube burner with high heating efficiency to prevent body over heating.  
Automatic refilling water, easily clean noodle residue.  
Automatic divided noodle dough by the boiled water bubble, equipped with overflowing device and big capacity basket.  
Set up stand pilot fire, thermocouple protection device.  
Double gas safety valves with automatic pulse electronic ignition.

落地式燃氣煮面爐  
FLOOR STAND GAS NOODLE BOILER



型號 Model	規格(mm) Specification (mm)	熱負荷 Gas power	進氣口 Gas inlet	備註 Remarks
M-LPC4N-G	400x750x850	12kW	DN20	
M-LPC8N-G	800x750x850	12kW	DN20	
M-LPC4H-G	400x900x850	12kW	DN20	
M-LPC8H-G	800x900x850	12kW	DN20	



產品特征  
FEATURES

全不銹鋼機身結構;可調不銹鋼腳,放置平穩  
設置隔熱板和擋火板,提高熱效率,防止外部過熱  
設置長明火種;配置安全制(熱電偶熄火保護裝置)  
採用與安全制聯動,自動脈衝電子點火  
熱板的中央部分集中導熱;熱板表面溫度分布均勻,升溫快  
爐火開關控制雙圈爐頭,可根據需要分別開外圈火和內圈火

Completely SS body,Adjustable SS feet convenient for install.  
Set up heating insulation material to improve thermal efficiency and prevent external overheating.  
Set up stand pilot fire,thermocouple protection device.  
Double gas safety valves with automatic pulse electronic ignition.  
Plate center heat transmission with thermal even distribution.  
Double ring burner . the outer ring flame and inner ring flame can be independent control according to needs.

產品特征  
FEATURES

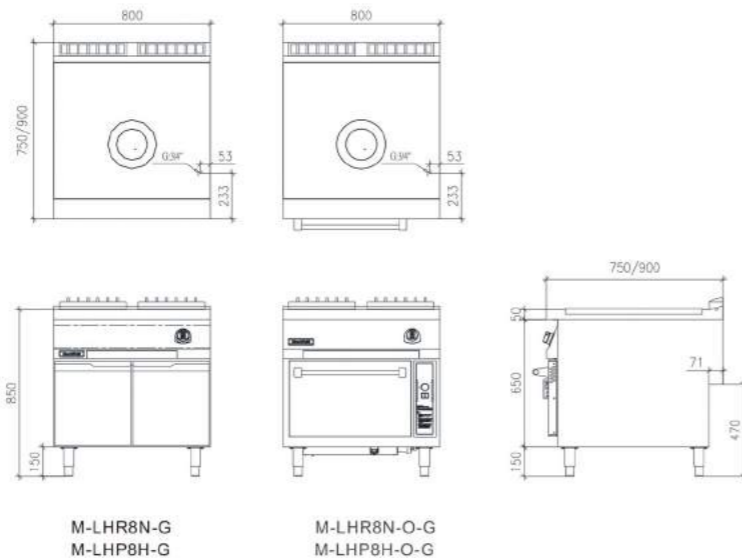
全不銹鋼機身結構;可調不銹鋼腳,放置平穩  
採用 SUS 304#1.5 mm 厚工作臺面,整體衝壓成型  
向內火環保預混爐頭  
採用燃燒控制器分布控制雙聯電磁閥,火種未點燃時,主氣閥不打開;配置有搖擺水龍頭  
穩壓調節器,燃燒火焰穩定  
脈沖電子點火;常明火種設置,離子檢測熄火保護  
每個爐頭配壹臺獨立風機(220V/50Hz/100V)

Completely SS body Adjustable SS feet convenient for install.  
One punched worktop with 1.5 mm thickness.  
Stepwise controlled by duplex solenoid valve, the main gas valve doesn't open until the fire ignites  
Equipped with swimming faucet .gas pressure regulator with stabilized combustion.  
Set up stand pilot fire,thermocouple protection device .  
Double gas safety valves with automatic pulse electronic ignition.  
Every burner equipped with one blower (220V/50HZ/100w)

落地式燃氣熱板爐  
FLOOR STAND GAS SOLID TOP



型號 Model	規格(mm) Specification (mm)	熱負荷 Gas power	進氣口 Gas inlet	備註 Remarks
M-LHR8N-G	800x750x850	9kW	DN20	
M-LHR8N-O-G	800x750x850	16kW	DN20	
M-LHR8H-G	800x900x850	9kW	DN20	
M-LHR8H-O-G	800x900x850	16kW	DN20	

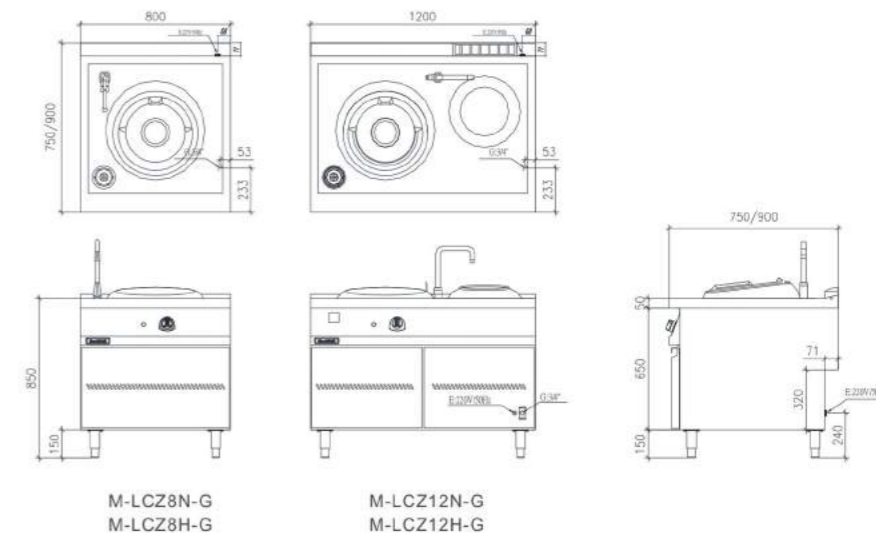


選配下爐爐帶字母O表示  
The oven represented by the "O"

落地式燃氣炒爐  
FLOOR STAND GAS COOKING WOK



型號 Model	規格(mm) Specification (mm)	熱負荷 Gas power	耗電量 Power consumption	進氣口 Gas inlet	進水口/排水口 Water inlet / outlet	備註 Remarks
M-LCZ8N-G	800x750x850	32kW	220V/0.1kW	DN20	DN15/DN40	
M-LCZ12N-G	1200x750x850	32kW	220V/0.1kW	DN20	DN15/DN40	
M-LCZ8H-G	800x900x850	32kW	220V/0.1kW	DN20	DN15/DN40	
M-LCZ12H-G	1200x900x850	32kW	220V/0.1kW	DN20	DN15/DN40	



產品特征  
FEATURES

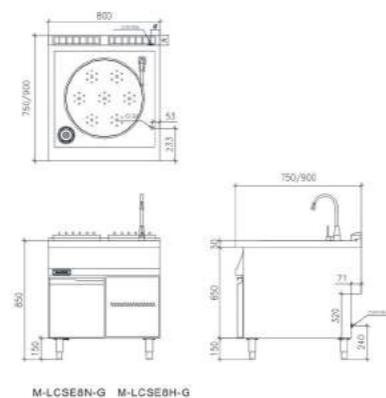
全不銹鋼機身結構;可調不銹鋼腳,放置平穩  
 采用SUS304#1.5mm厚工作臺面,整體沖壓成型  
 2只自引射環保爐頭;設置常明火種,配置電磁安全制,意外熄火等  
 故障,壹秒鐘關閉燃氣;脈沖電子打火和離子熄火保護設計;燃燒  
 無需風機鼓風,節約用電  
 壓力平衡式自動補水箱,保證水膽水位平衡  
 設置超溫缺水保護,防止幹燒  
 配不銹鋼擡出水龍頭;安裝需要預留220V/50Hz/0.025kW用電;硬  
 水地區使用該設備必須裝配軟化水設置

Completely SS body Adjustable SS feet convenient for install.  
 One punched worktop with 1.5 mm thickness.  
 Double gas safety valves with automatic pulse electronic ignition .  
 Inject burner with out blower. Set up stand pilot fire with safety gas  
 valve, the gas supply will be cut off in 1 second when gas or air  
 supply abnormally.  
 The main gas valve doesn't open until the fire ignites  
 Floating ball type water box, automatic water inject to keep the water  
 level balance, set up over temperature and dry heating protection .  
 Set up stand pilot fire, thermocouple protection device .  
 Equipped with mounted faucet . Every burner equipped with one  
 blower (220V/50HZ/100w)  
 Required to install water softener for hard water areas

落地式燃氣蒸爐 FLOOR STAND GAS STEAMER



型號 Model	M-LCSE8N-G	M-LCSE8H-G
規格(mm) Specification (mm)	800x750x850	800x900x850
熱負荷Gas power	28kW	28kW
耗電量 Power consumption	220V/0.025kW	220V/0.025kW
進氣口Gas inlet	DN20	DN20
進水口/排水口 Water inlet / outlet	DN15/DN40	DN15/DN40
備註 Remarks	配蒸板	配蒸板



產品特征  
FEATURES

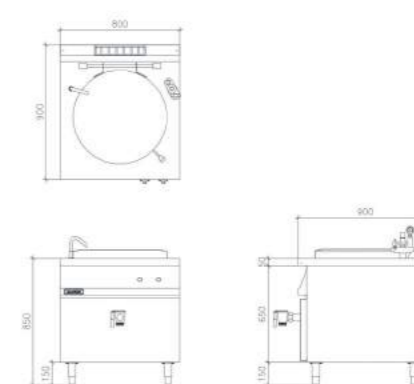
全不銹鋼機身結構;可調不銹鋼腳,放置平穩雙層鍋體,鏡面拋  
 光特制爐頭;深沖壓式雙層鍋蓋;蒸汽對食物進行隔水加熱,避  
 免食物年底燒焦;設置超壓保護,超溫保護,缺水保護;達到排氣  
 壓力時,安全閥自動排氣;設置常明火種配置安全制(離子熄火  
 監測保護裝置);采用與安全制聯動,自動脈沖電子點火,使用方  
 便;自動或手動補充夾層軟水;設備配置安全泄壓閥,夾層壓力大  
 於0.3Mpa時開放,保證使用安全;設置真空減壓閥,調節腔內壓  
 力,保證加熱過程中空氣的釋放

Completely SS body Adjustable SS feet convenient for install.  
 Deeply Punched SUS #304 double jacket lid and body , indirect  
 heating to avoid burnt food.  
 Double gas safety valves with automatic pulse electronic ignition, set  
 up stand pilot fire . automatic filling water or manual filling in tank for  
 options.  
 Equipped with specially burner and over pressure protection, over  
 temperature protection, water level protection .  
 Relief valve automatic release steaming to adjust the chamber  
 pressure and also make sure safety when pressure arrived 0.3Mpa

落地式燃氣湯鍋 FLOOR STAND GAS KETTLE



型號 Model	M-WSP80-G	M-WSP100-G
規格(mm) Specification (mm)	800x900x850	800x900x850
熱負荷Gas power	24kW	24kW
耗電量 Power consumption	220V/0.25kW	220V/0.25kW
進氣口Gas inlet	DN20	DN20
進水口/排水口 Water inlet / outlet	DN15/DN40	DN15/DN40
備註 Remarks		





產品特征  
FEATURES

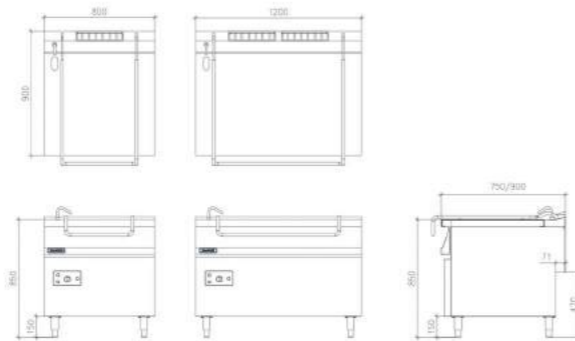
全不銹鋼機身結構;可調不銹鋼腳,放置平穩  
不銹鋼雙層鍋蓋圓角。無縫焊接鍋體  
電動傾斜,可超過90度  
鍋底採用12mm厚的低碳鋼或復合鋼制成  
可調節溫度大小;設置常明火種  
配備安全制(離子熄火檢測保護裝置)  
採用與安全制聯動,自動脈沖電子點火,使用方便

Completely SS body,Adjustable SS feet convenient for install.  
One punched worktop with 1.5 mm thickness.  
Double gas safety valves with automatic pulse electronic ignition.  
Set up stand pilot fire,thermocouple protection device .  
Double jacket lid,fulling welding pot body, tilting angle more over 90 degree. 12mm low-carbon steel or composite steel of the pot body material

落地式燃氣炒鍋 FLOOR STAND GAS BRATT PAN



型號 Model	M-WFP8H-G	M-WFP12H-G
規格(mm) Specification (mm)	800x900x850	1200x900x850
熱負荷Gas power	14kW	21kW
耗電量 Power consumption	220V/0.25kW	220V/0.25kW
進氣口Gas inlet	DN20	DN20
進水口/排水口 Water inlet / outlet	DN15	DN15
備註 Remarks		



電熱西餐廚具系列

ELECTRIC WESTERN COOKING RANGE



獨特的風格藝術 專業的烹飪技術

Unique style, professional cooking technology

易於安裝,操作簡單且安全。堅固的不銹鋼機身牢固地固定在可調節的不銹鋼支腳上。可調節電加熱功率模式可加快烹飪以及加熱過程。配備多種安全保護,保證烹飪過程更加順暢。這些細節使Markphili憑藉其靈活性,高效性和有效性而成為現代專業廚房的頂級傑作。

Easy to install, simple and safe to operate. Robust stainless steel body sits firmly on adjustable stainless steel legs. Adjustable electric heating power patterns to speed up cooking and heating up process. Equipped with multi safety protection device, precisely smooth up the cooking workflow. These details enhance Markphili to be a premium masterpiece in modern professional kitchen by its performance in flexibility, efficiency and effectiveness



產品特征  
FEATURES

全不銹鋼機身結構;可調不銹鋼腳, 放置平穩  
採用 SUS 304#2.0 mm 厚工作臺面, 整體衝壓成型  
18mm 厚的磨砂精鋼扒板, 下沈式的耐熱鋼機板無縫焊  
接在臺面上;配置抽拉式活動的盛油盆, 易於油脂收集及清潔;設  
置隔熱板和擋火板, 提高熱效率, 防止外部過熱  
恆溫控制, 60°C~300°C可調;設置420°C超溫保護, 可手動復位

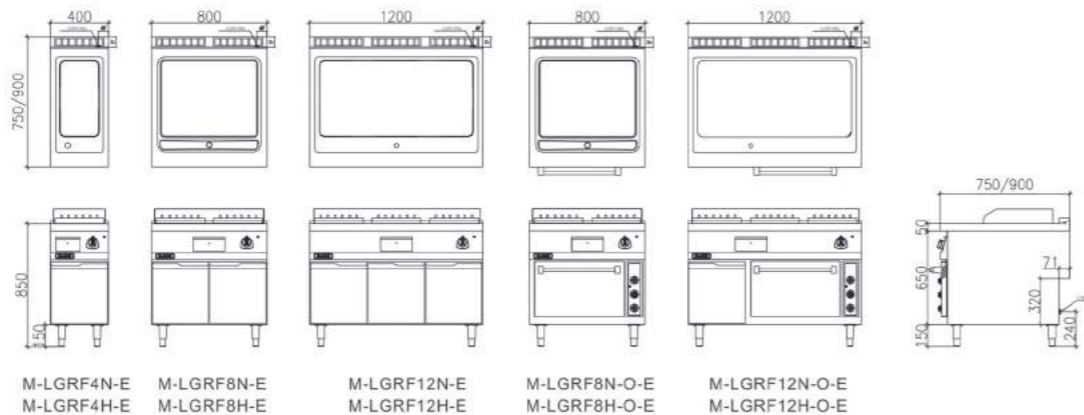
Completely SS body. One punched worktop with 2mm thickness.  
Adjustable SS feet convenient for install. 18mm heating board made  
by premium stainless steel and full welding with the worktop.  
Equipped with drawer type grease tray and drainage hole.  
Set up heating insulation material to improve thermal efficiency and  
prevent external overheating.  
Adjustable temperature range 60°C-300°C, set up 420°C over  
temperature protection.

落地式電熱扒爐  
FLOOR STAND ELECTRIC GRIDDLE



型號 Model	規格(mm) Specification (mm)	額定電壓 Rated voltage	額定功率 Rated power	備註 Remarks
M-LGRF4N-E/M-LGRP4N-E	400x750x850	380V	4.5kW	
M-LGRF8N-E/M-LGRP8N-E	800x750x850	380V	9.0kW	
M-LGRF12N-E/M-LGRP12N-E	1200x750x850	380V	13.5kW	
M-LGRF8N-O-E/M-LGRP8N-O-E	800x750x850	380V	9kW+6kW	
M-LGRF12N-O-E/M-LGRP12N-O-E	1200x750x850	380V	13.5kW+6kW	
M-LGRF4H-E/M-LGRP4H-E	400x900x850	380V	6.0kW	
M-LGRF8H-E/M-LGRP8H-E	800x900x850	380V	12kW	
M-LGRF12H-E/M-LGRP12H-E	1200x900x850	380V	18kW	
M-LGRF8H-O-E/M-LGRP8H-O-E	800x900x850	380V	12kW+6kW	
M-LGRF12H-O-E/M-LGRP12H-O-E	1200x900x850	380V	18kW+6kW	

選配下場爐帶字母O表示;選配平扒帶字母F表示;選配坑扒帶字母P表示;選配半平半扒帶字母PF表示  
The oven represented by the "O";Choose smooth griddle represented by the "F";Choose groove griddle represented by the "P";Choose half  
smooth and half groove griddle represented by the "PF".



產品特征  
FEATURES

全不銹鋼機身結構  
可調不銹鋼腳, 放置平穩  
採用 SUS 304#2.0 mm 厚工作臺面, 整體衝壓成型  
每個爐盤可由快、中、慢三擋火力控制, 熱效率高  
爐盤底有強風冷卻  
採用帶自動復位超溫保護裝置的EGO加熱爐盤

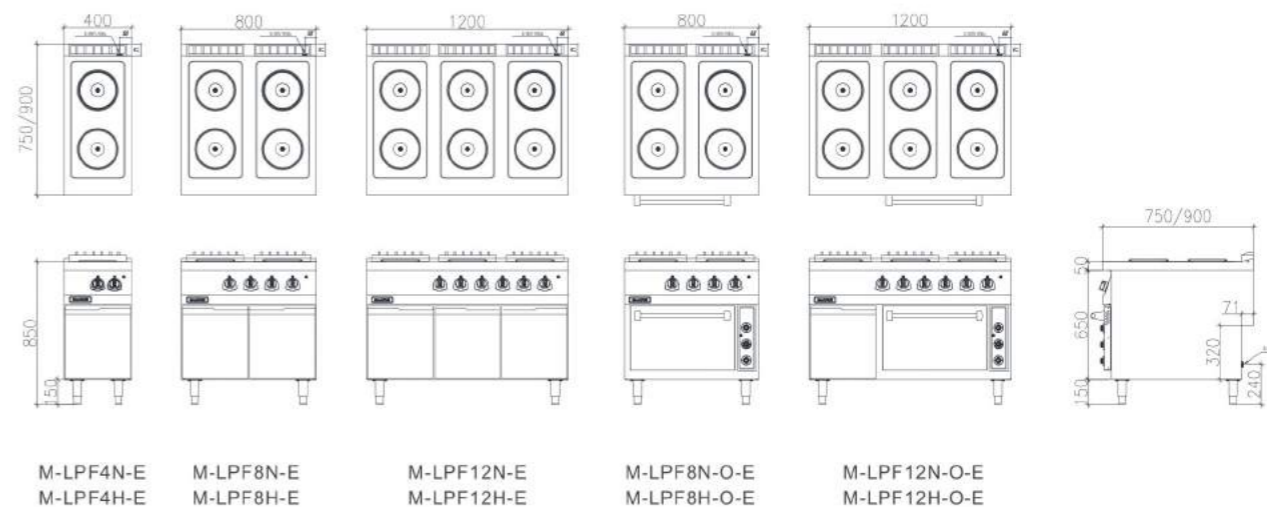
Completely SS body. One punched worktop with 2mm thickness.  
Adjustable SS feet convenient for install.  
Adjustable power of EGO heating plate, the cool fan device had  
installed bottom.  
Set up self reset over temperature protection device.

落地式電熱平頭爐  
FLOOR STAND ELECTRIC RANGE  
WITH HOT PLATE



型號 Model	規格(mm) Specification (mm)	額定電壓 Rated voltage	額定功率 Rated power	備註 Remarks
M-LPF4N-E	400x750x850	220V	4.6kW	
M-LPF8N-E	800x750x850	380V	9.2kW	
M-LPF12N-E	1200x750x850	380V	13.8kW	
M-LPF8N-O-E	800x750x850	380V	9.2kW+6kW	
M-LPF12N-O-E	1200x750x850	380V	13.8kW+6kW	
M-LPF4H-E	400x900x850	220V	5.2kW	
M-LPF8H-E	800x900x850	380V	10.4kW	
M-LPF12H-E	1200x900x850	380V	15.6kW	
M-LPF8H-O-E	800x900x850	380V	10.4kW+6kW	
M-LPF12H-O-E	1200x900x850	380V	15.6kW+6kW	

選配下場爐帶字母O表示  
The oven represented by the "O"



產品特征  
FEATURES

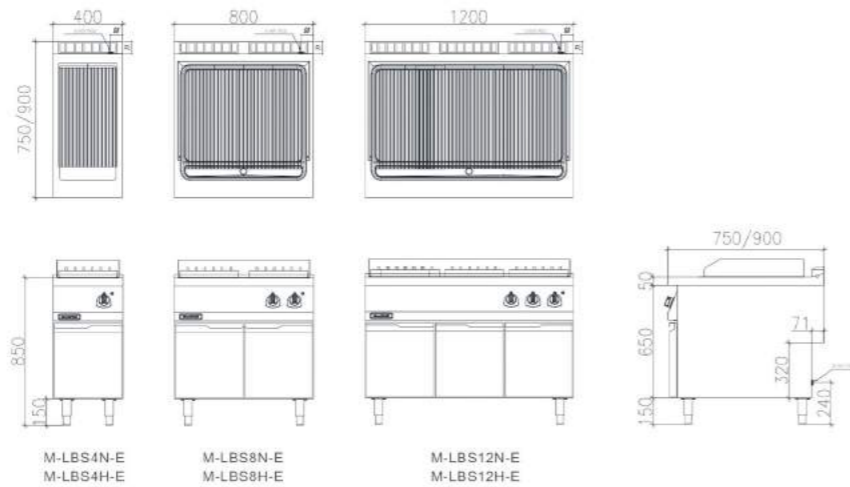
全不銹鋼機身結構;可調不銹鋼腳, 放置平穩  
採用 SUS 304#2.0 mm 厚工作臺面, 整體衝壓成型  
配置抽拉式活動的盛油盆, 易於油脂收集及清潔  
三面防濺擋板可通過不銹鋼的搭扣完全拆卸  
獨特的可調節角度耐火鑄鐵燒烤架, 防止燒烤殘油污染食物  
通過發熱管傳過熱量, 多檔火力控制功能

Completely SS body. One punched worktop with 2mm thickness.  
Adjustable SS feet convenient for install.  
Equipped with drawer type grease tray and drainage hole,  
convenient for collected grease and easily clean.  
Adopted premium heating elements, multi heating power for options.  
Set up removable splash guards around the grid  
Adopted adjustable angle cast iron grid to prevent the grease  
polluting the food.

落地式電熱燒烤爐  
FLOOR STAND ELECTRIC GRILL



型號 Model	規格(mm) Specification (mm)	額定電壓 Rated voltage	額定功率 Rated power	備註 Remarks
M-LBS4N-E	400x750x850	380V	4.5kW	
M-LBS8N-E	800x750x850	380V	9kW	
M-LBS12N-E	1200x750x850	380V	13.5kW	
M-LBS4H-E	400x900x850	380V	6kW	
M-LBS8H-E	800x900x850	380V	12kW	
M-LBS12H-E	1200x900x850	380V	18kW	



產品特征  
FEATURES

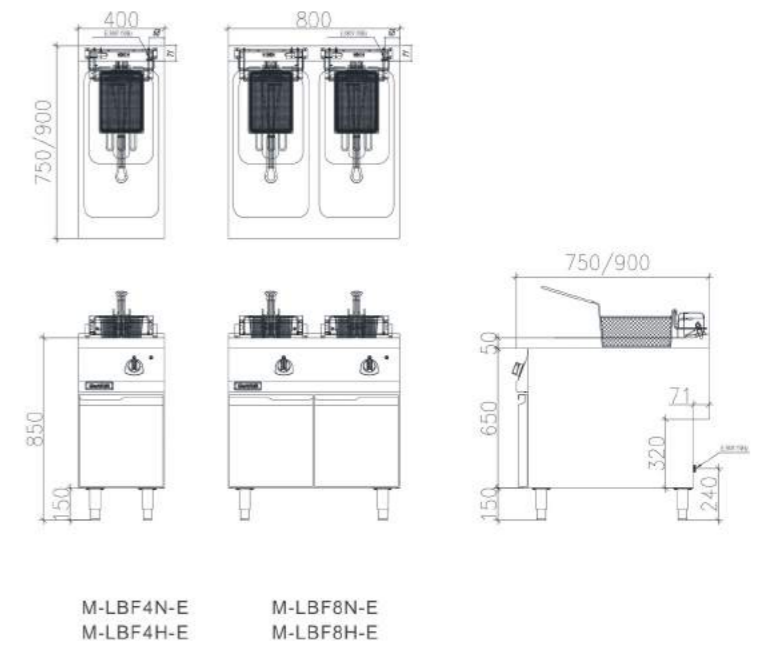
全不銹鋼機身結構  
可調不銹鋼腳, 放置平穩  
採用 SUS 304#2.0 mm 厚工作臺面, 整體衝壓成型  
新型深沖壓式炸缸 (18L)  
放油閥設置自鎖裝置, 防止誤操作  
帶有 235°C 超溫安全裝置, 可手動復位  
EGO 溫控器, 溫度調節 60°C~190°C

Completely SS body. One punched worktop with 2mm thickness.  
Adjustable SS feet convenient for install.  
Deep punched tank (18L) with V-type cold area for store residues.  
Oil drainage had equipped with self lock device to prevent the  
misoperation.  
EGO temperature controller and temperature range: 60°C~190°C.  
Equipped with over temperature protection (230°C) with manual reset

落地式電熱炸爐  
FLOOR STAND ELECTRIC DEEP FRYER



型號 Model	規格(mm) Specification (mm)	額定電壓 Rated voltage	額定功率 Rated power	備註 Remarks
M-LBF4N-E	400x750x850	380V	9kW	配1个炸篩
M-LBF8N-E	800x750x850	380V	9kW*2	配2个炸篩
M-LBF4H-E	400x900x850	380V	9kW	配1个炸篩
M-LBF8H-E	800x900x850	380V	9kW*2	配2个炸篩



產品特征  
FEATURES

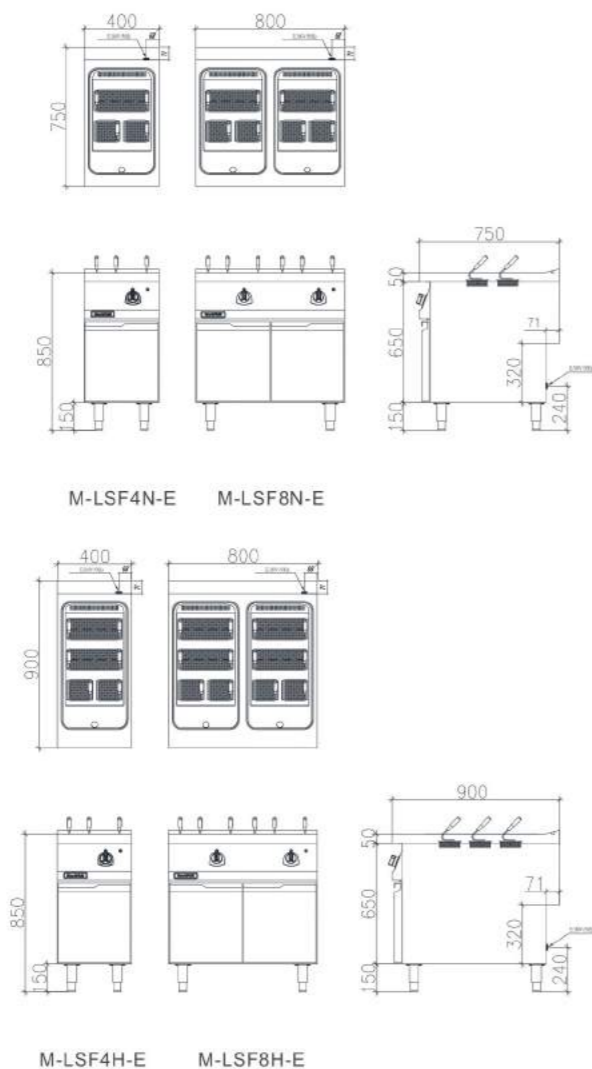
全不銹鋼機身結構;可調不銹鋼腳,放置平穩  
採用 SUS 304#2.0 mm 厚工作臺面,整體衝壓成型  
沸騰水泡自動爆散麵團。並防止沸水濺溢  
設置溢水槽,自動補水裝置  
煮面缸容量大(900系列35L,750系列25L)升溫速度快  
設置缺水保護,防止發熱管幹燒  
煮面缸容量大,溫度恒定;高效發熱線,三擋快、中、慢火力調節

Completely SS body,One punched worktop with 2mm thickness.  
Adjustable SS feet convenient for install.  
Automatic refilling water ,set  
Automatic devided noodle dough by the boiled water bubble.  
equipped with overflowing device and big capacity basket(900 series:35L ,750 series:25L ).  
Premium heating elements with power adjust switcher.  
Set up water lack protection to prevent dry heating .

落地式電熱意粉爐  
FLOOR STAND ELECTRIC PASTA COOKER



型號 Model	規格(mm) Specification (mm)	額定電壓 Rated voltage	額定功率 Rated power	備註 Remarks
M-LSF4N-E	400x750x850	380V	7.5kW	配3个意粉
M-LSF8N-E	800x750x850	380V	7.5kW*2	配6个意粉
M-LSF4H-E	400x900x850	380V	9kW	配4个意粉
M-LSF8H-E	800x900x850	380V	9kW*2	配8个意粉



產品特征  
FEATURES

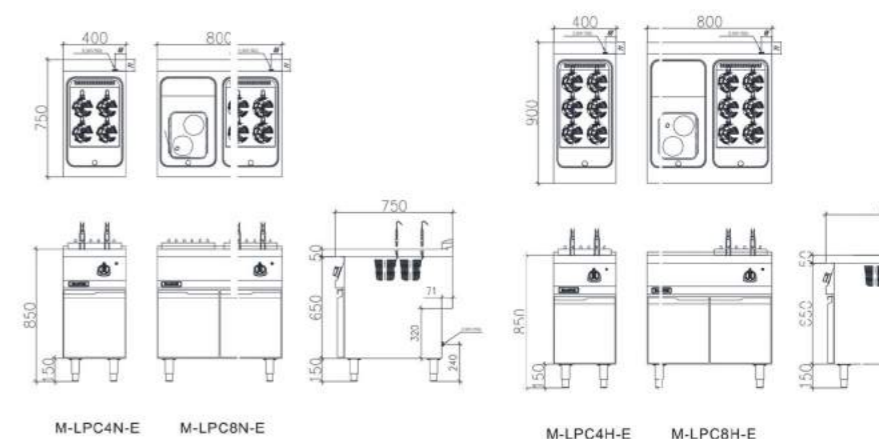
全不銹鋼機身結構;可調不銹鋼腳,放置平穩  
採用 SUS 304#2.0 mm 厚工作臺面,整體衝壓成型  
沸騰水泡自動爆散麵團。並防止沸水濺溢  
設置溢水槽,自動補水裝置  
煮面缸容量大(900系列35L,750系列25L)升溫速度快  
設置缺水保護,防止發熱管幹燒  
煮面缸容量大,溫度恒定;高效發熱線,三擋快、中、慢火力調節

Completely SS body,One punched worktop with 2mm thickness.  
Adjustable SS feet convenient for install.  
Automatic refilling water  
Automatic devided noodle dough by the boiled water bubble.  
Equipped with overflowing device and big capacity basket(900 series:35L ,750 series:25L ).  
Premium heating elements with power adjust switcher.  
Set up water lack protection to prevent dry heating .

落地式電熱煮面爐  
FLOOR STAND ELECTRIC NOODLE BOILER



型號 Model	規格(mm) Specification (mm)	額定電壓 Rated voltage	額定功率 Rated power	備註 Remarks
M-LPC4N-E	400x750x850	380V	7.5kW	配4個煮面篩
M-LPC8N-E	800x750x850	380V	7.5kW	配4個煮面篩
M-LPC4H-E	400x900x850	380V	9kW	配6個煮面篩
M-LPC8H-E	800x900x850	380V	9kW	配6個煮面篩



落地式電熱升降煮面爐 FLOOR TYPE ELECTRIC HEATING UP AND DOWN COOKING STOVE



型號 Model	M-LPCS66-E	M-LPCS66-E-S
規格(mm) Specification (mm)	600x800x800	600x800x800
額定功率 Rated power	380V/18kW	380V/12kW
備註 Remarks	配6個煮面篩	配6個煮面篩

產品特征  
FEATURES

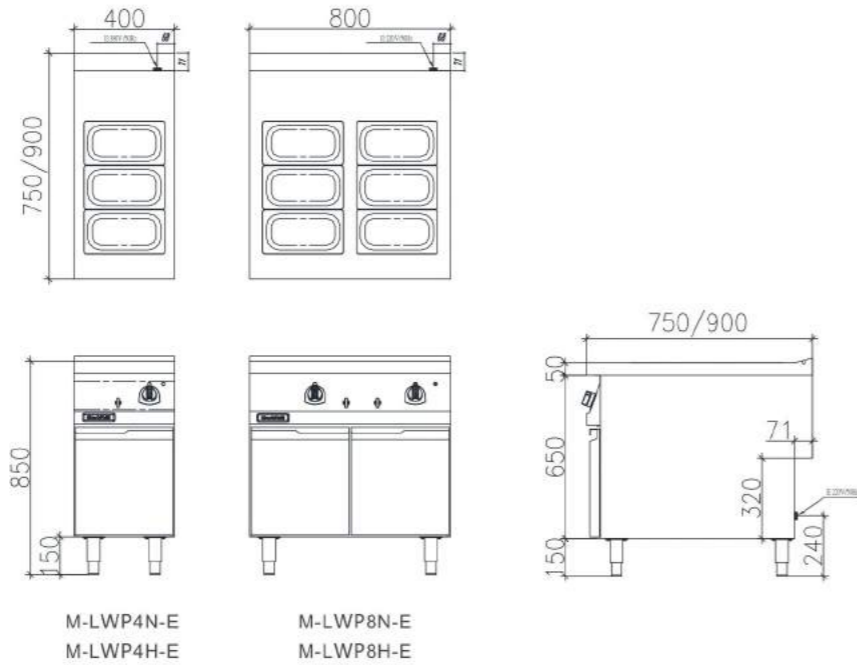
全不銹鋼機身結構  
可調不銹鋼腳，放置平穩  
採用 SUS 304#1.5 mm 厚工作臺面，整體衝壓成型和工作面無縫  
焊接以方便清潔  
可放置多種規格GN盤  
可通過控制面板上的按鈕進行手動加水

Completely SS body, One punched worktop with 2mm thickness and convenient for clean.  
Adjustable SS feet convenient for install.  
Can be placed kinds of specification GN pans. manual filling water by control button.

落地式電熱保溫湯池  
FLOOR STAND ELECTRIC BAIN MARIE



型號 Model	規格(mm) Specification (mm)	額定電壓 Rated voltage	額定功率 Rated power	備註 Remarks
M-LWP4N-E	400x750x850	220V	3kW	配3個1/3GN盤
M-LWP8N-E	800x750x850	220V	3kW*2	配3個1/3GN盤
M-LWP4H-E	400x900x850	220V	3kW	配3個1/3GN盤
M-LWP8H-E	800x900x850	220V	3kW*2	配3個1/3GN盤



產品特征  
FEATURES

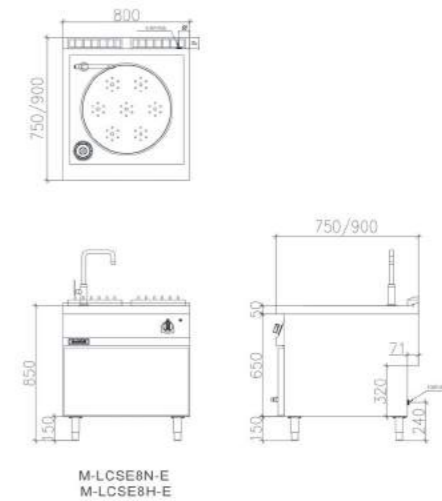
全不銹鋼機身結構;可調不銹鋼腳，放置平穩  
採用 SUS 304#1.5 mm 厚工作臺面，整體衝壓成型  
多種保護裝置，缺水、保溫、過流保護等  
進水箱和蒸汽發生器獨立設計  
壓力平衡式自動補水箱，保證水膽水位平衡  
多段功率選擇，可隨客戶選擇開放1組或多組加熱  
硬水地區使用該設備必須裝配軟化水設置

Completely SS body, One punched worktop with 1.5mm thickness and convenient for clean.  
Adjustable SS feet convenient for install.  
Set up water lack protection, over temperature protection, over current protection and so on.  
Independently designed water box and steam generator.  
Automatic filling water device to keep the water level balance.  
Kinds of heating power for options, can be choosed single group heating or multi group heating.  
Required to install water softener for hard water areas

落地式電熱蒸爐 FLOOR STAND ELECTRIC STEAMER



型號 Model	M-LCSE8N-E	M-LCSE8H-E
規格(mm) Specification (mm)	800x750x850	800x900x850
額定電壓 Rated voltage	380V	380V
額定功率 Rated power	27kW	27kW
進水口/排水口 Water inlet / outlet	DN15/DN40	DN15/DN40
備註 Remarks	配七星蒸板 水龍頭	配七星蒸板 水龍頭



產品特征  
FEATURES

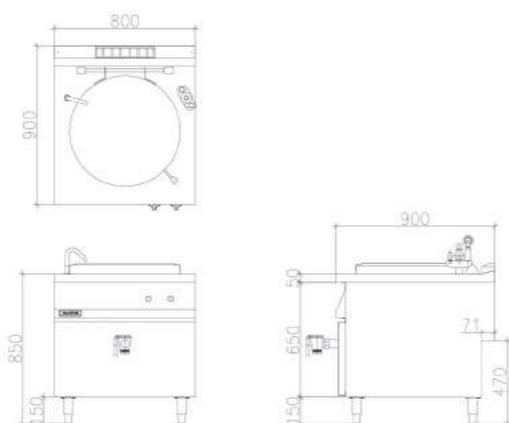
全不銹鋼機身結構;可調不銹鋼腳,放置平穩  
 雙層鍋體,鍋體為整體304不銹鋼拉伸,鏡面拋光  
 深沖壓式雙層鍋蓋;蒸汽對食物進行隔水加熱,避免食物粘底燒焦  
 ;設置超壓保護、超溫保護、缺水保護  
 達到排氣壓力時,安全閥自動排氣;自動或手動補充夾層軟水;設  
 備配置安全泄氣閥,夾層壓大於0.06Mp時開放,保證使用安全;設  
 置真空減壓閥,調節腔內壓力,保證加熱過程中空氣的釋放

Completely SS body,Adjustable SS feet convenient for install.  
 DeeplyPunched SUS #304 double jacket lid and body , indirect  
 heating to avoid burnt food.  
 Automatic filling water or manual filling water for options.  
 Equipped with over pressure protection,over temperature  
 protection,water lack protection  
 Relief valve automatic release the chamber steam pressure to  
 ensure safety when pressure arrived 0.06Mpa.

落地式電熱湯鍋 FLOOR STAND ELECTRIC KETTLE



型號 Model	M-WSP80-E	M-WSP100-E
規格(mm) Specification (mm)	800x900x850	800x900x850
額定電壓 Rated voltage	380V	380V
額定功率 Rated power	12kW	12kW
進水口/排水口 Water inlet / outlet	DN15	DN15
備註 Remarks		



產品特征  
FEATURES

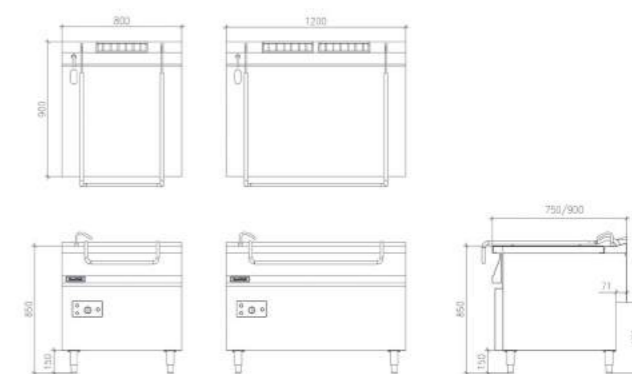
全不銹鋼機身結構  
 可調不銹鋼腳,放置平穩  
 不銹鋼雙層鍋蓋、圓角‘無縫焊接鍋體  
 電動傾斜,可超過90度  
 鍋底採用12mm厚的低碳鋼或復合鋼制成  
 恆溫控制,60°C~350°C可調

Completely SS body,Adjustable SS feet convenient for install.  
 Double jacket lid and inner bratt pan with round corner and full  
 welding crafts .  
 Tilting angle over 90 degree  
 Adopted 12mm low-carbon steel or composite steel of the heating  
 plate.  
 Adjustable temperature range 60°C-350°C

落地式電熱炒鍋 FLOOR STAND ELECTRIC BRATT PAN



型號 Model	M-WFP8H-E	M-WFP12H-E
規格(mm) Specification (mm)	800x900x850	1200x900x850
額定電壓 Rated voltage	380V	380V
額定功率 Rated power	9kW	13.5kW
進水口/排水口 Water inlet / outlet	DN15	DN15
備註 Remarks		



產品特征  
FEATURES

炸爐：  
全不銹鋼機身結構  
缸體整體沖壓拉伸成型  
采用優質加熱管發熱  
油缸容量:9L  
溫度自動控制, 調節範圍60°C~190°C  
設置超溫自動保護功能, 230°C超溫裝置, 可手動復位

Completely SS body, one punched tank, adopted premium heating elements .  
Capacity :9L  
Contant temperature control with Adjustable range 60°C-190°C. set up 230°C over temperature protection , manual reset .

座臺式電熱炸爐 COUNTERTOP ELECTRIC FRYER



型號 Model	M-TBF4N-E	M-TBF8N-E
規格(mm) Specification (mm)	350x700x290	650x700x290
額定電壓 Rated voltage	220V	2-220V
額定功率 Rated power	6kW	12kW
備註 Remarks	9L	9L*2

每個炸缸配壹個炸篩 One sieve for each frying tank

產品特征  
FEATURES

扒爐：  
全不銹鋼機身結構  
扒板采用耐熱特種鋼  
配置抽拉式活動的盛油盆, 易於油脂收集及清潔  
下沈式耐熱扒板與臺面無縫焊接  
100°C~320°C控制; 420°C超溫保護

Completely SS body. heating board made by premium heat-resisting steel and full welding with the worktop.  
Equipped with drawer type grease tray, convenient for collection grease .  
Adjustable temperature range 100°C-320°C, set up 420°C over temperature protection.

座臺式電熱扒爐 COUNTERTOP ELECTRIC GRIDDLE



型號 Model	規格(mm) Specification (mm)	額定電壓 Rated voltage	額定功率 Rated power	備註 Remarks
M-TGRF4N-E/M-TGRP4N-E	400x700x290	380V	4.5kW	
M-TGRF6N-E/M-TGRP6N-E	600x700x290	220V	6kW	
M-TGRF8N-E/M-TGRP8N-E	800x700x290	380V	9kW	
M-TGRF12N-E/M-TGRP12N-E	1200x700x290	380V	13.5kW	

選配平扒帶字母F表示; 選配坑扒帶字母P表示; 可選擇1/2坑扒或者1/3坑扒, 帶字母PF表示  
Optional flat strip letter F; optional pit strip letter P; optional 1 / 2 pit strip or 1 / 3 pit strip with letter PF

產品特征  
FEATURES

燒烤爐：  
全不銹鋼機身結構  
臺面下沈式設計, 容易、方便清潔衛生  
可拆卸的不銹鋼三面防濺擋板  
鑄鐵格柵燒烤架  
配置抽拉式活動的盛油盆, 易於油脂收集及清潔  
烹飪時產生的油脂和水分可排入集油槽內, 通過水的蒸發可迅速將油脂降溫

Completely SS body.  
Equipped with drawer type grease tray, convenient for collected grease and easily clean.  
Set up removable splash guards around the grid  
Adopted adjustable angle cast iron grid to prevent the grease polluting the food.

座臺式電熱燒烤爐 COUNTERTOP ELECTRIC GRILL



型號 Model	M-TBS4N-E	M-TBS8N-E	M-TBS12N-E
規格(mm) Specification (mm)	400x700x290	800x700x290	1200x700x290
額定電壓 Rated voltage	380V	380V	380V
額定功率 Rated power	4.5kW	9kW	13.5kW
備註 Remarks			

產品特征  
FEATURES

平頭爐：  
全不銹鋼機身結構  
采用德國進口帶自動復位超溫保護裝置的EGO加熱爐盤  
大小爐盤交叉選擇, 爐盤底有強風冷卻  
爐盤由快、中、慢三擋火力控制, 熱效率高

Completely SS body.  
Import Germany EGO heating plate with self reset over temperature protection and high efficiency.  
Cross layout of heating plate.  
Adjustable power of EGO heating plate, the cool fan device had installed bottom

座臺式電熱平頭爐 COUNTERTOP ELECTRIC RANGE WITH HOT PLATE



型號 Model	M-TPF4N-E	M-TPF8N-E	M-TPF12N-E
規格(mm) Specification (mm)	400x700x290	800x700x290	1200x700x290
額定電壓 Rated voltage	220V	380V	380V
額定功率 Rated power	4.6kW	9.2kW	13.8kW
備註 Remarks			

產品特征  
FEATURES

意粉爐:

- 全不銹鋼機身結構
- 設置缺水保護裝置,防止發熱管幹燒
- 高效率發熱線,三擋快、中、慢火力調節
- 不銹鋼格固定沸騰水泡自動爆散麵團並可防止沸水濺溢

Completely SS body,  
Premium heating elements. Adjustable heating power .  
Automatic divided noodle dough by the boiled water  
bubble.  
Set up water lack protection to prevent dry heating .

座臺式電熱意粉爐 COUNTERTOP ELECTRIC PASTA COOKER



型號 Model	M-TSF4N-E	M-TSF8N-E
規格(mm) Specification (mm)	400x700x290	800x700x290
額定電壓 Rated voltage	380V	380V
額定功率 Rated power	7.5kW	7.5kW*2
備註 Remarks	配意粉籃	配意粉籃

產品特征  
FEATURES

保溫湯池:

- 全不銹鋼機身結構
- 缸體與工作面無縫焊接以方便清潔
- 可防止多種規格GN盤
- 可通過控制面板上的按鈕進行手動加水

Completely SS body,The tank full welding  
with worktop.  
Can be placed kinds of specification GN  
pans.  
Manual filling water by control button.

座臺式電熱保溫湯池 COUNTERTOP ELECTRIC BAIN MARIE



型號 Model	M-TWP4N-E	M-TWP8N-E
規格(mm) Specification (mm)	400x700x290	800x700x290
額定電壓 Rated voltage	220V	220V
額定功率 Rated power	3kW	3kW*2
備註 Remarks	配3個1/3GN盤	配6個1/3GN盤

產品特征  
FEATURES

- 采用全不銹鋼機身結構
- 通過熱源對食物表面進行加熱,電和燃氣產生紅外光線,從爐體內上方向下進行加熱,避免燒烤油渣與火接觸燃燒產生有害物質,保持食物的鮮美
- 烤架可調節,輕鬆調節面火板與加熱食物之間的距離,確保食物的質量
- 底部設置盛油盆,方便剩載食物中留下的油汙物

All stainless steel body structure; adjustable stainless steel feet, stable placement  
Set heat shield and fire baffle to improve thermal efficiency and prevent external overheating  
Set up long-term open flame; configure safety system (thermocouple flameout protection device)  
Automatic pulse electronic ignition with linkage with safety system  
The central part of the hot plate conducts heat centrally; the surface temperature of the hot plate is evenly distributed and the temperature rises rapidly  
The fire switch controls the double circle furnace head, which can open the outer ring fire and the inner ring fire respectively as required

掛牆式電熱面火爐 WALL MOUNTED ELECTRIC SALAMANDER



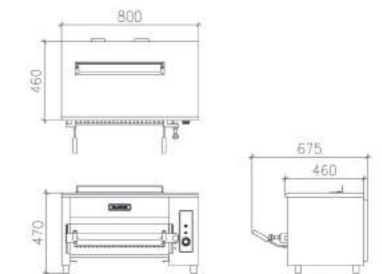
型號 Model	M-TSM6N-E
規格(mm) Specification (mm)	650x510x467
額定電壓 Rated voltage	220V
額定功率 Rated power	4.6kW
備註 Remarks	



座臺式電熱面火爐 COUNTERTOP ELECTRIC SALAMANDER



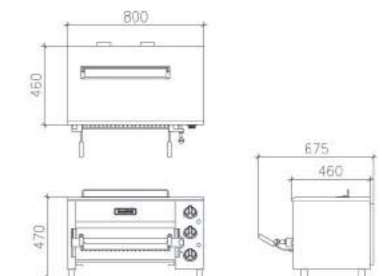
型號 Model	M-TMK7N-E
規格(mm) Specification (mm)	800x460x470
額定電壓 Rated voltage	220V
額定功率 Rated power	6kW
備註 Remarks	



座臺式燃氣面火爐 COUNTERTOP GAS SALAMANDER



型號 Model	M-TMK7N-G
規格(mm) Specification (mm)	800x460x470
熱負荷 Gas power	7.5kW
進氣口 Gas inlet	DN20
備註 Remarks	

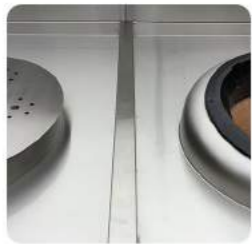
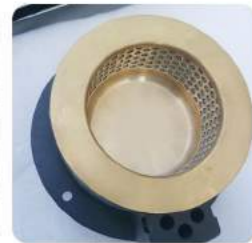




# 中餐爐具系列 節能環保 安全可靠

CHINESE COOKING RANGE

ENVIRONMENTAL FRIENDLY, SAFETY & RELIABILITY



## 產品特征

PRODUCT CHARACTERISTICS

兩臺設備之間的連接採用卡條連接方式,防止水流入;面板表面無固定螺釘整體無焊接臺面,薄邊設計;設備前壁下部設有V型防水槽;全不銹鋼鉸金框架;壹鍵式電子點火;火力大小調節閥  
整體爐磚,防止漏火損壞爐膛適合炒菜拋鍋結構布局鍋底溫度均勻‘熄火保護、控制系統採用集成模塊安裝方式、標準、規範  
進水閥控制開關;採用新型風機、體積小風量大、噪音低

Equipments are clipped together by u-channel connector for water proof. One piece table top without welding, hygiene and easily for cleaning, Front top plate designed V-shape drip device and water proof adhesive tape between the table and side plate. Completely SUS304 stainless steel frame structure with riveted fix. One-button control blower, electronic pulse ignition and ion detector flame failure protection. A monolithic brick, avoid damaging the chamber by the leaked fire. control system adopted standard modular structure. Innovation blower with small volume and high flowing, low noise.

## 從細節做起 START WITH DETAILS

### 附件

ACCESSORIES

#### 凍水盤(選配)

FREEZING PAN(OPTIONAL)



#### 調料臺(標配)

SEASONING BOARD (STANDARD)



#### 鍋枕(標配)

POT PILLOW (STANDARD)



#### 籃球架(標配)

BASKETBALL STANDS (STANDARD)



產品特征  
FEATURES

臺面整件成型,方便清潔;隔熱臺面,底部設計30mm厚的玻璃棉;  
爐頭內冷的氣體吸收爐頭外殼熱量,降低爐頭溫度,提高爐頭的使用壽命;  
整體爐磚.防止漏火損壞爐體;  
感應針使用溫度超過1200度,不易燒壞。

One punched worktop with 30mm heating insulation material, convenient for clean.  
Pre mixed burner, cold air decrease burner outer shell temperature, improve the running time.  
A monolithic brick, avoid damaging the chamber by the leaked fire.  
Thermocouple service temperature is over than 1200 degree, difficult to be damaged

產品特征  
FEATURES

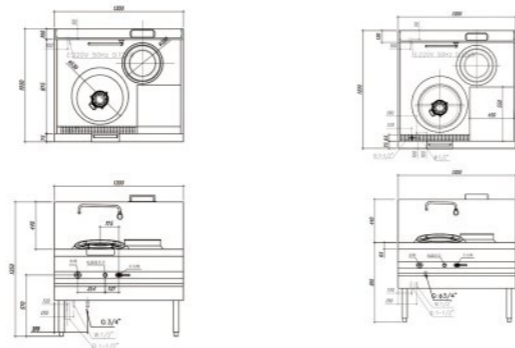
採用燃燒控制器分步控制電磁閥,火種未點燃時,主氣閥不會打開;風機供風不正常,供氣不正常,意外熄火等故障,1秒鐘關閉燃氣,壹鍵式風機、電子打火和離子熄火保護設計。  
鼓風預混燃燒,噪音小於65分貝,燃燒充分,壹氧化碳排放量小於0.01%;  
燃氣和空氣混合燃燒充分,火力猛勁,熱效率高.與壹般溝風爐頭相比可節能30%以上。  
每個爐頭獨立配置風機,使用行鏈風制 實現風氣聯動開關,可調節供風大小。

Stepwise controlled by duplex solenoid valve, the main gas valve doesn't open until the fire ignites. As will be cut off in 1 second once the air or gas is supplying abnormally. One-button control blower, electronic pulse ignition and ion detector flame failure protection Blast premixing combustion, heavy power, combustion noise < 65dB, the emission of carbon monoxide < 0.01%. energy saving more than 30% to compare with other blower burner. Each burner had equipped with blower. adopted chain wind system adjust the air and gas supply at the same time.

燃氣環保單頭單尾炒爐 GAS 1 RING 1 REAR POT ENVIRONMENTAL COOKING RANGE



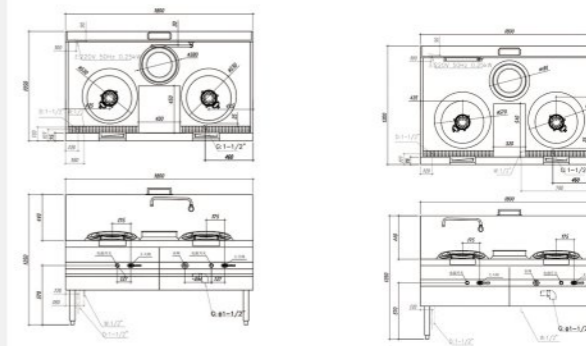
型號 Model	SF-CRE-1-N(E)	SF-CRE-1-G(E)
規格(mm) Specification (mm)	1200x1050x810+440	1200x1200x810+440
熱負荷 Gas power	42kW	42kW
進氣口 Gas inlet	DN20/DN25	DN20/DN25
進水口/排水口 Water inlet / outlet	DN15/DN40	DN15/DN40
風機 Blower	220v/130w	220v/130w



燃氣環保雙頭單尾炒爐 GAS 2 RING 1 REAR POT ENVIRONMENTAL COOKING RANGE



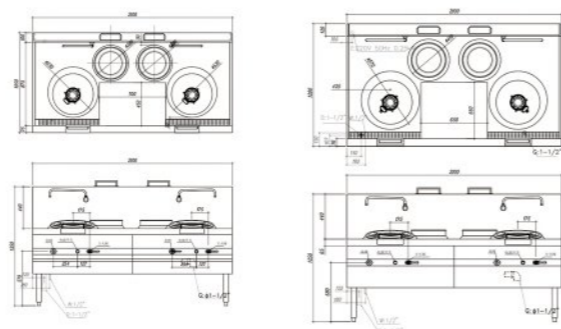
型號 Model	SF-CRE-2-1N(E)	SF-CRE-2-1G(E)
規格(mm) Specification (mm)	1800x1050x810+440	1800x1200x810+440
熱負荷 Gas power	42kWx2	42kWx2
進氣口 Gas inlet	DN40/DN50	DN40/DN50
進水口/排水口 Water inlet / outlet	DN15/DN40	DN15/DN40
風機 Blower	220v/130w*2	220v/130w*2



燃氣環保雙頭雙尾炒爐 GAS 2 RING 2 REAR POT ENVIRONMENTAL COOKING RANGE



型號 Model	SF-CRE-2-2N(E)	SF-CRE-2-2G(E)
規格(mm) Specification (mm)	2100x1050x810+440	2100x1200x810+440
熱負荷 Gas power	42kWx2	42kWx2
進氣口 Gas inlet	DN40/DN50	DN40/DN50
進水口/排水口 Water inlet / outlet	DN15/DN40	DN15/DN40
風機 Blower	220v/130w*2	220v/130w*2



型號(E)表示帶電磁安全制  
(E) Represent electromagnetic valve safety device

產品特征  
FEATURES

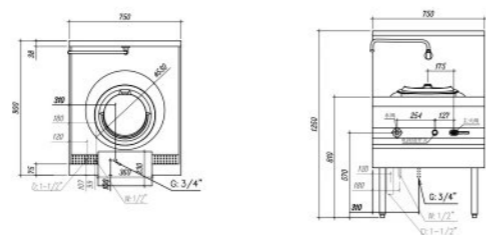
採用燃燒控制器分步控制電磁閥，火種未點燃時，主氣閥不會打開；  
風機供風不正常，供氣不正常，意外熄火等故障，1秒鐘關閉燃氣，  
壹鍵式風機、電子打火和離子熄火保護設計，  
鼓風預混燃燒，噪音小於65分貝，燃燒充分，  
壹氧化碳排放量小於0.01%；燃氣和空氣混合燃燒充分，火力猛勁，熱效率高。

Stepwise controlled by duplex solenoid valve, the main gas valve doesn't open until the fire ignites. As will be cut off in 1 second once the air or gas is supplying abnormally.  
One-button control blower, electronic pulse ignition and ion detector flame failure protection. Blast premixing combustion with heavy power, combustion noise < 65dB, the emission of carbon monoxide < 0.01%.

燃氣環保單頭什碎爐 (電磁安全閥) GAS 1 RING ENVIRONMENTAL CHOP SUEY RANGE



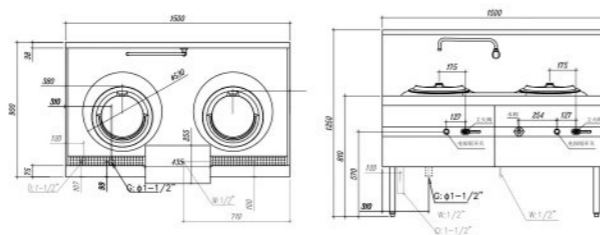
型號 Model	SF-SRE-1-H(E)
規格(mm) Specification (mm)	750x900x810+440
熱負荷 Gas power	32kW
進氣口 Gas inlet	DN20/DN25
進水口/排水口 Water inlet / outlet	DN15/DN40
風機 Blower	220v/130w



燃氣環保雙頭什碎爐 (電磁安全閥) GAS 2 RING ENVIRONMENTAL CHOP SUEY RANGE



型號 Model	SF-SRE-2-H(E)
規格(mm) Specification (mm)	1500x900x810+440
熱負荷 Gas power	32kWx2
進氣口 Gas inlet	DN40/DN50
進水口/排水口 Water inlet / outlet	DN15/DN40
風機 Blower	220v/130w*2



產品特征  
FEATURES

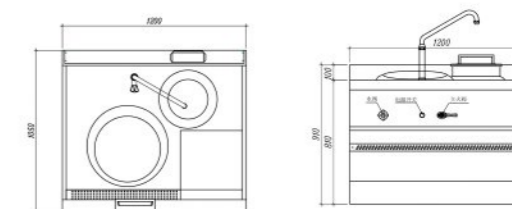
每個爐頭獨立配置風機，使用行鏈風制實現風氣聯動開關，可調節供風大小，  
臺面整體成型，方便清潔；  
隔熱臺面，底部設計30mm厚的玻璃棉；  
爐頭內冷的氣體吸收爐頭外殼熱量，降低爐頭溫度，提高爐頭的使用壽命  
整體填磚，防止漏火損壞牆體；  
感應針使用溫度超過1200度，不易燒壞，

Each burner had equipped with blower. adopted chain wind system adjust the air and gas supply at the same time. One punched worktop with 30mm heating insulation material, convenient for clean.  
Pre-mixed burner, The cold air decrease external shell temperature of the burner, prolong service life.  
A monolithic brick, avoid damaging the chamber by the leaked fire.  
Thermocouple service temperature is over than 1200 degree, difficult to damaged

燃氣環保單頭單尾開放式炒爐 GAS 1 RING 1 REAR POT ENVIRONMENTAL COOKING RANGE -OPEN KITCHEN STYLE



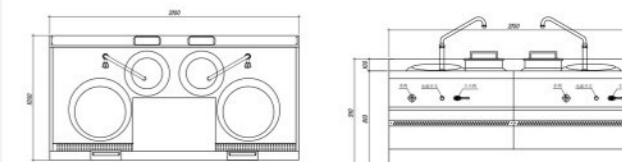
型號 Model	SF-CRE-1-LF(E)
規格(mm) Specification (mm)	1200x1050x810+100
熱負荷 Gas power	42kW
進氣口 Gas inlet	DN20/DN25
進水口/排水口 Water inlet / outlet	DN15/DN40
風機 Blower	220v/130w



燃氣環保雙頭雙尾開放式炒爐 GAS 2 RING 2 REAR POT ENVIRONMENTAL COOKING RANGE -OPEN KITCHEN STYLE



型號 Model	SF-CRE-2-LF(E)
規格(mm) Specification (mm)	2100x1050x810+100
熱負荷 Gas power	42kWx2
進氣口 Gas inlet	DN40/DN50
進水口/排水口 Water inlet / outlet	DN15/DN40
風機 Blower	220v/130w*2



型號(E)表示帶電磁安全制  
(E) Represent electromagnetic valve safety device

產品特征  
FEATURES

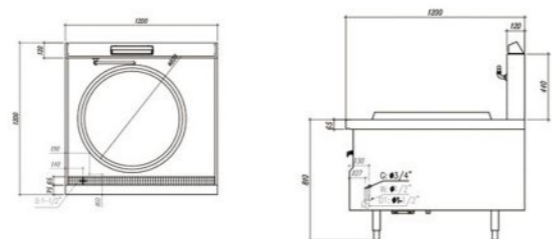
採用燃燒控制器分步控制電磁閥，火種未點燃時，主氣閥不會打開；風機供風不正常，供氣不正常，意外熄火等故障，1秒鐘關閉燃氣，壹鍵式風機、電子打火和離子熄火保護設計，臺面整體成型，方便清潔；隔熱臺面，底部設計30mm厚的玻璃棉；  
爐頭內冷的氣體吸收爐頭外殼熱量，降低爐頭溫度，提高爐頭的使用壽命；感應針使用溫度超過1200度，不易燒壞  
鼓風預混燃燒，噪音小於65分貝，燃燒充分，火力猛勁，熱效率高與壹般 滿風爐頭相比可節能30%以上，可調節供風大小  
鼓風預混燃燒，噪音小於65分貝，燃燒充分，火力猛勁，熱效率高與壹般 滿風爐頭相比可節能30%以上，可調節供風大小

Stepwise controlled by duplex solenoid valve, the main gas valve doesn't open until the fire ignites. As will be cut off in 1 second once the air or gas is supplying abnormally. One-button control blower, electronic pulse ignition and ion detector flame failure protection. One punched worktop with 30mm heating insulation material, convenient for clean.  
Pre-mixed burner, The cold air decrease external shell temperature of the burner, prolong service life.  
Blast premixing combustion, heavy power, combustion noise < 65dB, energy saving more than 30% to compare with other blower burner. Each burner had equipped with blower, adopted chain wind system adjust the air and gas supply at the same time. Thermocouple service temperature is over than 1200 degree, difficult to damaged

燃氣環保單頭大炒爐 GAS 1 RING ENVIRONMENTAL COOKING RANGE - LARGE WOK



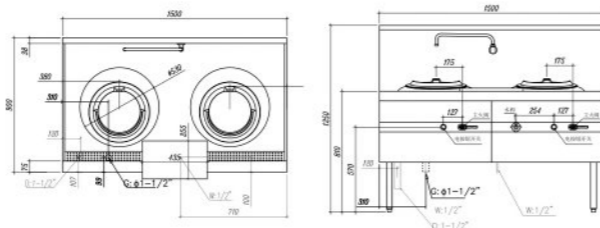
型號 Model	SF-CRE-1-B(E)
規格(mm) Specification (mm)	1200X1200x810+440
熱負荷 Gas power	48kW
進氣口 Gas inlet	DN20/DN25
進水口/排水口 Water inlet / outlet	DN15/DN40
風機 Blower	220v/130w
選配 Optional	Cooking pot



燃氣環保雙頭大炒爐 GAS 2 RING ENVIRONMENTAL COOKING RANGE - LARGE WOK



型號 Model	SF-CRE-2-B(E)
規格(mm) Specification (mm)	2100x1200x810+440
熱負荷 Gas power	48kWx2
進氣口 Gas inlet	DN40/DN50
進水口/排水口 Water inlet / outlet	DN15/DN40
風機 Blower	220v/130w*2
選配 Optional	Cooking pot



產品特征  
FEATURES

水膽採用1.5mm耐熱不銹鋼加工，4條S形火管結掩表面隔熱處理  
兩組獨立的燃氣燃燒控制系統，脈衝電子點火，離子熄火保護。  
設置長明火種，超溫缺水保護防止幹燒  
設置時間控制，可根據需要設定工作時間(0-60分鐘)  
設置櫃內照明功能。  
設置補水箱，全不銹鋼浮球自動補水  
硬水地區使用該設備必須裝配軟化水設置

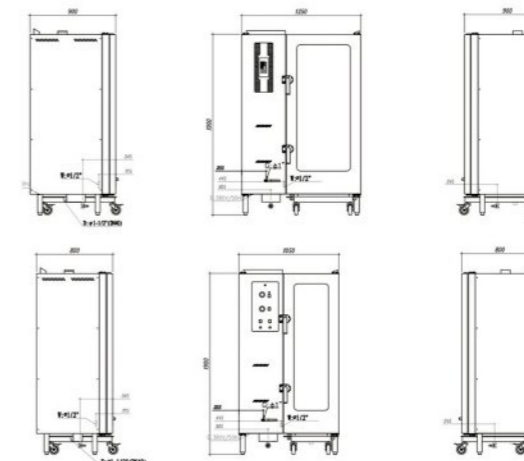
Water tank is made of 1.5mm heat-resisting stainless steel with 4pcs S-type fire tube. Two group independent control combustion system, over temperature and water lack protection, prevent dry heating. Set up stand pilot and electronic pulse ignition and ion detector flame failure protection. Set up time control, can be set 0-60 minutes according to requirement. Set up inner illumination. Set up automatic filling water box, completely SS floating ball to keep the water level balance. Required to install water softener device for hard water areas

燃氣推車萬用蒸櫃 GAS ROLL-IN STEAM CABINET



規格參數表 SPECIFICATION PARAMETER

產品名稱 PRODUCT NAME	型號 Model	規格(mm) Specification (mm)	熱負荷 Gas power	進氣口 Gas inlet	進水/排水 Water inlet / drainage	電功率 Electric power	備註 Remarks
燃氣環保車載蒸櫃(電子版控制) Gas Roll-In Steam Cabinet (electronic control)	SBE-1DC-G	1250x900x1900	56kW	DN25	DN15/DN40	220v/3kW	可放18個2/1盤
燃氣環保車載蒸櫃(機械式控制) Gas Roll-In Steam Cabinet (mechanical control)	SBE-1DE-G	1250x900x1900	56kW	DN25	DN15/DN40	220v/3kW	可放18個2/1盤
燃氣環保車載蒸櫃(機械式控制) Gas Roll-In Steam Cabinet (mechanical control)	SBE-1SE-G	1050x800x1900	56kW	DN25	DN15/DN40	220v/3kW	可放18個1/1盤
燃氣環保車載蒸櫃(電子版控制) Gas Roll-In Steam Cabinet (electronic control)	SBE-2DC-G	2150x900x1900	84kW	DN25	DN15/DN40	220v/3kW	可放36個2/1盤



型號(E)表示帶電磁安全制  
(E) Represent electromagnetic valve safety device

燃氣環保蒸櫃 Gas Environmental Steam Cabinet



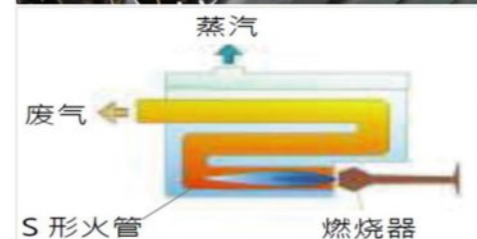
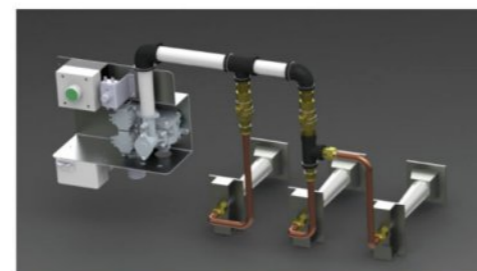
產品特征 FEATURES

燃燒系統採用燃燒控制器分步控制雙聯電磁穩壓閥，火種未點燃時，主氣閥不打開，不會有大量燃氣泄出；設置穩壓調壓器，燃燒火焰穩定；配靈自動脈衝電子點火；離子檢測熄火保護；有常明火種和與火管數相同的主火燃燒器，全部為自引風大氣式結構；主火燃燒器由兩個主火閥控制，可根據需要通過主火閥控制火力大小；每個蒸層獨立分開，無蒸汽串漏，蒸汽流動合理，上下加熱均勻，有效提高蒸汽利用率

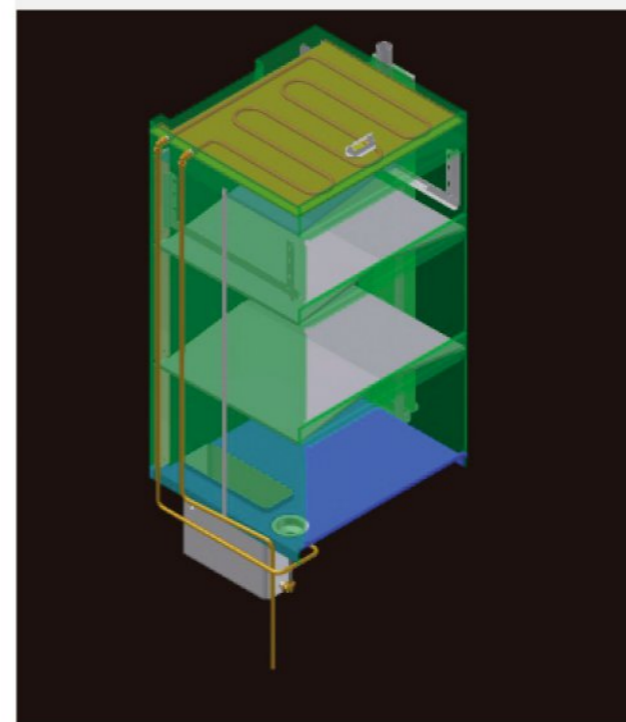
Stepwise controlled by duplex solenoid valve, the main gas valve doesn't open until the fire ignites. set up pressure regulator, stand pilot and electronic pulse ignition and ion detector flame failure protection. Adopted Inject burner. two hand valve control one or two burner, kinds of heating power for options according to needs. every drawer cabinet equipped with independent switcher which improve the steam utilization

火管結構水膽，受熱面積大、熱效率高，熱效率大於85%，燃氣用量節約200%；爐頭燃燒完全，煙氣中CO含量≤0.05%；燃燒噪音小於65dB(A)；設置超溫缺水保護，防止幹燒損壞水膽；蒸櫃水膽使用不銹鋼加工，火管加熱結構內部設置“S”形火管，通過設置在補水箱內的浮閥自動控制入水

Fire tubes structure of the water tank, enlarges the heating appearance, thermal efficiency >85%, gas saving 20%, the emission of carbon monoxide < 0.05%, combustion noise < 65dB. Set up over temperature and water lack protection, prevent dry heating. Water tank is made of heat-resisting stainless steel. "S-TYPE" fire tube structure. Set up automatic filling water box, completely SS floating ball to keep the water level balance



燃氣環保蒸櫃 Gas Environmental Steam Cabinet



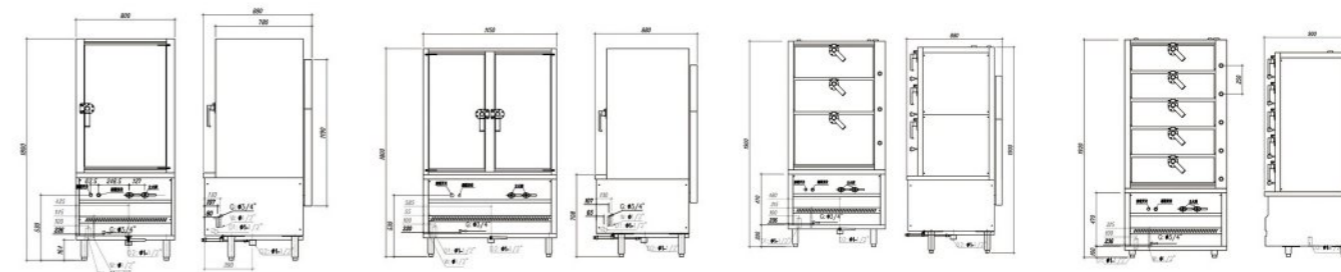
熱回收裝置 Heating recover device

(此功能為客戶選配)

頂部設計熱回收器，將排出蒸汽的熱置回收，可提高熱效率。

次功能只適用於單門蒸櫃、三門蒸櫃、五門蒸櫃

Designed heating recover device above the cabinet which recycle the output steam to improve the heat efficiency. This function fit with single door steam cabinet, triple door steam cabinet, 5-door steam cabinet.



產品名稱 PRODUCT NAME	型號 Model	規格(mm) Specification (mm)	熱負荷 Gas power	進氣口 Gas inlet	進水/排水 Water inlet / drainage	備註 Remarks
燃氣環保單門蒸櫃 Gas single door environmental steam cabinet	SF-SCE-1(E)	900x900x1800	42kW	DN20/DN25	DN15/DN40	配層網8個
燃氣環保雙門對開蒸櫃 Gas wing door environmental steam cabinet	SF-SCE-2D(E)	1150x900x1800	56kW	DN20/DN25	DN15/DN40	配18对挂码
燃氣環保三門蒸櫃 Gas triple door environmental steam large cabinet	SF-SCE-3(E)	900x900x1900	42kW	DN20/DN25	DN15/DN40	配層網4個
燃氣環保五門蒸櫃 Gas five door environmental steam large cabinet	SF-SCE-5(E)	900x900x1900	42kW	DN20/DN25	DN15/DN40	配層網5個
燃氣環保單門蒸櫃(帶熱回收裝置) Gas single door environmental steam cabinet (with thermal recover device)	SF-SCE-1(E)-Q	900x900x1900	42kW	DN20/DN25	DN15/DN40	配層網8個
燃氣環保三門蒸櫃(帶熱回收裝置) Gas triple door environmental steam large cabinet (with thermal recover device)	SF-SCE-3(E)-Q	900x900x1900	42kW	DN20/DN25	DN15/DN40	配層網4個
燃氣環保五門蒸櫃(帶熱回收裝置) Gas five door environmental steam large cabinet (with thermal recover device)	SF-SCE-5(E)-Q	900x900x1900	42kW	DN20/DN25	DN15/DN40	配層網5個
燃氣環保三門蒸櫃(電磁安全型) Gas five door environmental steam large cabinet (Solenoid gas safety valve)	SF-SCE-3X(E)	1200x900x1900	56kW	DN20/DN25	DN15/DN40	配層網4個

型號(E)表示帶電磁安全制。(E) Represent electromagnet valve safety device.  
天然氣(NG)2000Pa,人工煤氣(TG)1000Pa,石油氣(LPG)2800Pa

多层炊饭机 MULTIPLE DECK RICE COOKER



产品特征  
FEATURES

智能化程度高

在高精度传感器和智能芯片的控制下，自动识别米量，精确调节火力确保最佳煮曲线  
预约煮饭功能，进一步解放您的双手  
多种煮饭模式，独有的暂停功能设计，为花色米饭提供了可能

Smart and Intelligent

Controlled with precise sensors and intelligent chips, it automatically recognizes the amount of rice and smartly adjusts the firepower to ensure the best cooking atmosphere.  
Pre-setting of a cooking time makes hassle-free cooking.  
Multiple cooking modes and unique <Pause> function enable various possibility of cooked rice results.

使用维护简单

防水轻触按钮，三层独立操作，使用更加灵活。可抽出式接渣盘设计，使清洗变得更加容易  
自我诊断并显示错误代码，一旦出现故障或异常时，可以第一时间采取措施，最大降低风险

Simple to use, Easy to maintain

Waterproof touch panel which individually operates on three decks cooking. Flexible cooking. Withdrawable slag tray makes cleaning easier.  
Self-diagnosis with error code display. When faulty occurs, measures can be taken immediately to minimize the breakdown time.

多重构造 有效隔热

多重构造，有效的隔热设计不仅使得系统更加稳定，而且使您的操作者更加安全，使用环境更加人性化

Multiple layer constructions with optimal insulation

Multiple layer constructions and optimal thermal insulation not only make the operation more stable, it also gives the operator a safer working environment.

多重安全保护

内置离子熄火保护、超温保护、超时保护。更有双重电磁阀封口防止燃气意外泄露，全方位保护您的使用安全

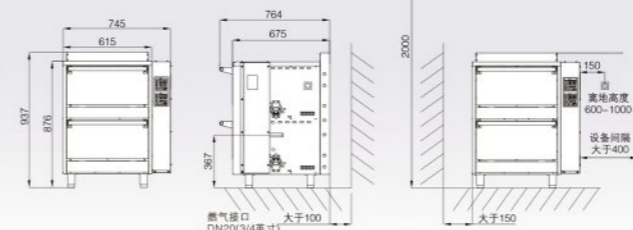
Safety features

Built-in safety protection features such as: flame failure device, high temperature limit, overtime cooking.  
There is also a dual solenoid safety valve to prevent accidental gas leakage, which protects work safety in all aspects.

多层炊饭机 MULTIPLE DECK RICE COOKER

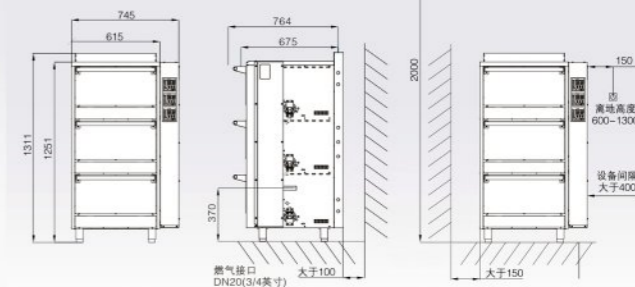
MLCM-G2

柜式炊饭机安装尺寸图



MLCM-G3

柜式炊饭机安装尺寸图



规格参数表 PRODUCT SPECIFICATION TABLE

产品名称 Product name	双层炊饭机 2-Deck Rice Cooker	三层炊饭机 3-Deck Rice Cooker
型号 Model:	MLCM-G2	MLCM-G3
外形尺寸 (mm) Dimensions (mm):	745*764*937	745*764*1311
生产能力 (kg) Production Capacity (kg):	14	21
电功率 (W) Electric Power Loading (kW):	32	45
热负荷 (kW) Gas Loading (kW):	18	27
耗气量 Gas Consumption (Kg/serve):	液化气0.3kg左右/锅, 天然气0.4方左右/锅 LPG: 0.3kg/serve; NG: 0.4kg/serve	
重量 (kg) Weight (Kg):	100	150
标准配件 Standard Accessories:	锅2个, 锅盖2个 2*pot with cover lid	锅3个, 锅盖3个 3*pot with cover lid
电源 Voltage:	220V/1NPE/50Hz - 13A	
燃气接口 Gas pipe inlet:	DN20	
安全装置 Safety Device:	离子熄火保护、超温保护、超时保护 Dual safety solenoid valve, High Temperature Limit, Overtime Cooking Protection.	

型号(E)表示带电磁安全制 (E) stand for electromagnetic valve control;  
进气口DN25/DN50适用于人工煤气 Gas inlet DN25/DN50 support TG;  
燃气额定压力(Rated gas pressure):天然气为(NG)2000Pa,人工煤气为(TG)1000Pa,石油气为(LPG)2800Pa;

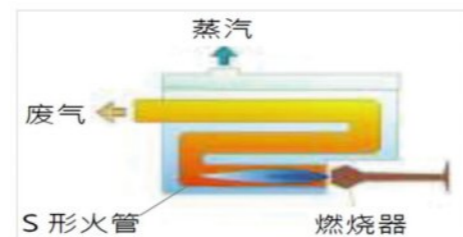
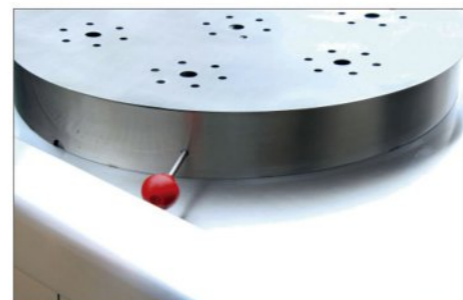
燃氣環保蒸爐 Gas Environmental Steamer



產品特征 FEATURES

兩個主火閥門控制多個爐頭，可選擇不同蒸汽出量，有快蒸、慢蒸和保溫三種功效；配置 電磁安全制，意外熄火等故障，1秒鐘關閉燃氣；電子點火，壹鍵式操作，燃燒無需風機鼓風；設置蒸汽開關和蒸汽安全排放口，使用安全方便。

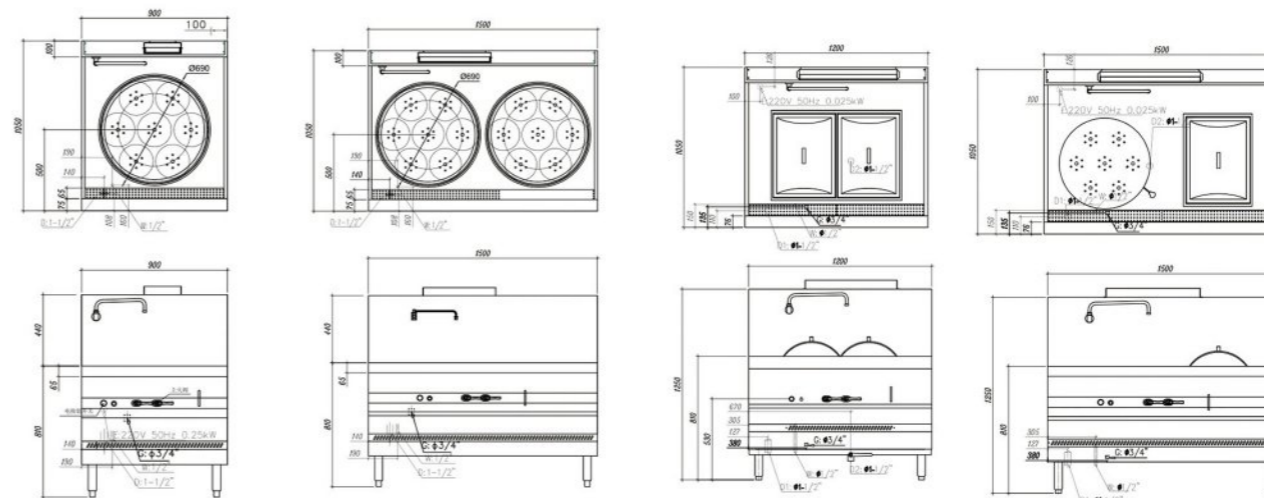
Two hand valve control one or two burner , kinds of heating power for options according to needs(fast steam , slow steam , keep warm). Equipped with duplex solenoid valve device and steam emission hole . As will be cut off in 1 second once the air or gas supply abnormally. Electronic ignition,one button operation ,without blower. Every drawer cabinet equipped with independent switcher.



火管結構水膽，受熱面積大、熱效率高，熱效率大於85% ,燃氣用量節約20%；爐頭燃燒完全，煙氣中CO含量\$0.05%；燃燒噪音小於65dB(A)；設置超溫缺水保護，防止燒壞水膽  
蒸櫃水膽使用不銹鋼加工，火管加熱結構內部設置"S"形火管，通過設置在補水箱內的浮閥自動控制入水

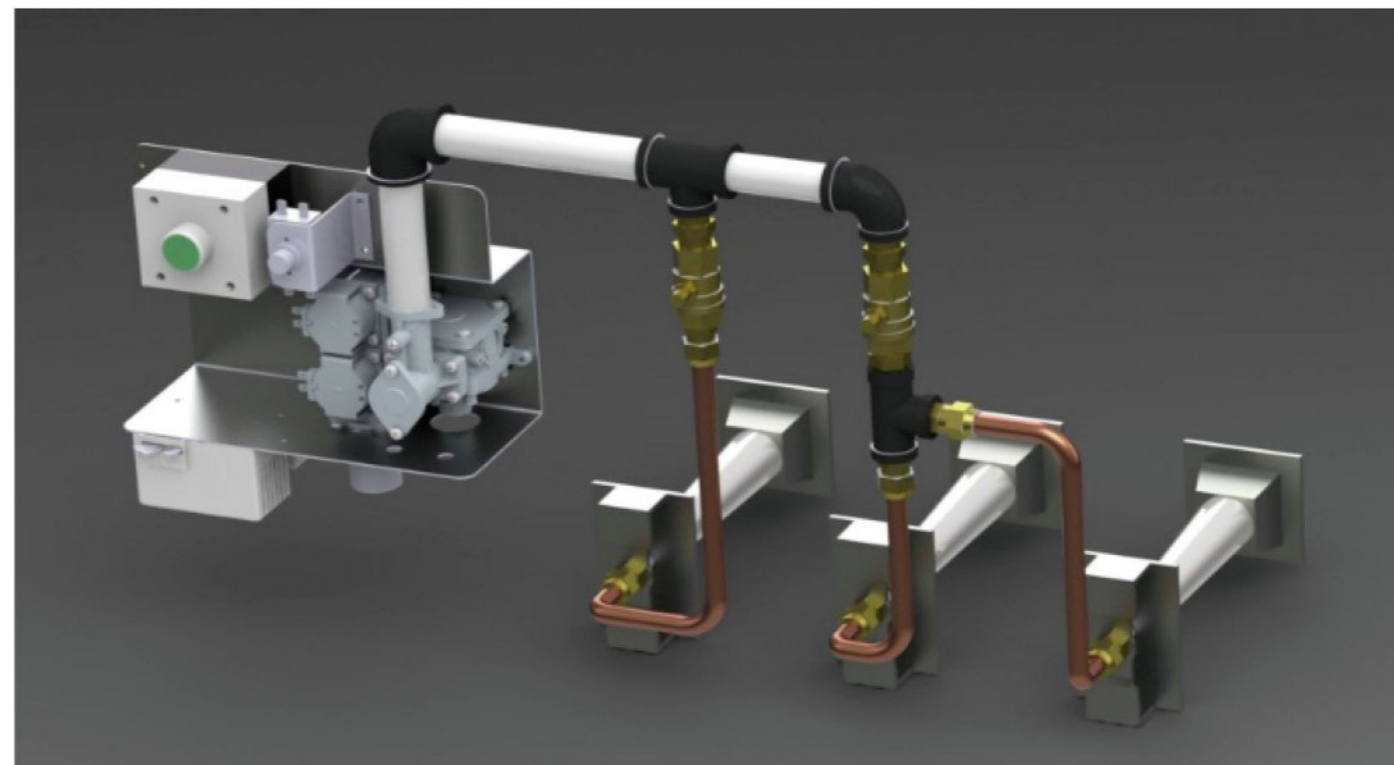
Fire tubes structure of the water tank,enlarges the heating appearance. thermal efficiency >85%.gas saving 20%.the emission of carbon monoxide< 0.05%.combustion noise < 65dB. Set up over temperature and water lack protection. prevent dry heating. Water tank is made of heat-resisting stainless steel. "S-TYPE" fire tube structure. Set up automatic filling water box , completely SS floating ball to keep the water level balance

燃氣環保蒸爐 Gas Environmental Steamer



產品名稱 PRODUCT NAME	型號 Model	規格(mm) Specification (mm)	熱負荷 Gas power	進氣口 Gas inlet	進水/排水 Water inlet / drainage	備註 Remarks
燃氣環保單頭蒸爐 Vapour-dividing single unit steamer	SF-CSE-1S(E)	900x1050x810+440	42kW	DN20/DN25	DN15/DN40	
燃氣環保雙頭蒸爐 Gas double unit environmental steamer	SF-CSE-2S(E)	1500x1050x810+440	56kW	DN20/DN25	DN15/DN40	
燃氣環保雙頭蒸粉爐 Gas double grid rice roll environmental steamer	SF-RSE-2S(E)	1200x1050x810+440	42kW	DN20/DN25	DN15/DN40	
燃氣環保單頭蒸爐連單頭蒸粉爐 Gas single unit environmental steamer, single burner rice roll steamer	SF-RSE-2(E)	1500x1050x810+440	56kW	DN20/DN25	DN15/DN40	

型號(E)表示帶電磁安全制(E) Represent electromagnetic valve safety device.  
進氣口DN25/DN50適用於人工煤氣 Gas inlnt DN25/DN50 support TG;  
燃氣額定壓力(Rated gas pressure):天然氣為(NG)2000Pa,人工煤氣為(TG)1000Pa,石油氣為(LPG)2800Pa;



產品特征  
FEATURES

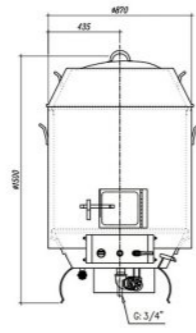
11寸強力爐頭, 熱負荷16kW;  
外殼採用模具壓制而成, 爐身各部分結合緊密, 能有效防止熱氣散失; 外殼有上、中、下三部分組成, 運輸拆裝方便; 耐熱不銹鋼反射板設計, 經久耐用, 節約能源, 烘烤均勻; 配置安全制, 防止燃氣洩漏事故; 獨立常明火種設置, 安全可靠; 設置與安全制聯動的自動脈衝電子點火, 操作方便。雙層外殼, 外部溫度低於85°C防止燒傷

11"enhance burner, power loading:16kw  
Completely SS body with better seal.  
This equipment consist of top part , mid part and base part. convenient for install and transport.  
Equipped with heat reflecting board ,durable , energy saving , even heating .  
Equipped with duplex solenoid valve device and electronic pulse ignition,easy operation .  
Double jacket body , external shell temperature is less than 85°C.

燃氣雙層燒鴨爐 GAS DOUBLE LAYER DUCK ROASTER

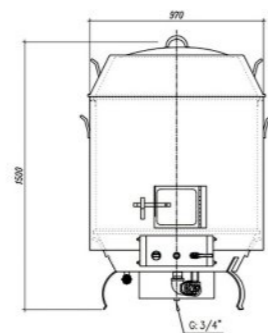


型號 Model	SF-CDRE-8D
規格(mm) Specification (mm)	Ø870x1500mm
熱負荷 Gas power	16kW
進氣口 Gas inlet	DN20
標配 Standard	燒烤石



燃氣36寸雙層燒鴨爐(安全制) GAS FIRED 36 INCH DOUBLE LAYER DUCK STOVE (SAFETY SYSTEM)

型號 Model	SF-CDRE-9D
規格(mm) Specification (mm)	Ø970x1500mm
熱負荷 Gas power	16kW
進氣口 Gas inlet	DN20
標配 Standard	燒烤石



產品特征  
FEATURES

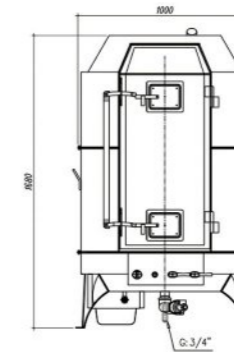
雙層隔熱外身, 耐熱不銹鋼反射板設計, 經久耐用, 節約能源, 烘烤均勻;  
配置安全制, 防止燃氣洩漏事故;  
獨立常明火種設置, 熱電偶熄火 保護裝置, 安全可靠;  
設置與安全制聯動的自動脈衝電子點火, 操作方便;  
頂部設置可旋轉掛架。

Double jacket body , equipped with heat reflecting board ,durable , energy saving , even heating.  
Equipped with duplex solenoid valve device , thermocouple protection to prevent gas leakage.  
Electronic pulse ignition , easy operation.  
Equipped with rotate hooks on the top of equipment.

燃氣燒鴨、燒豬爐(太空式) GAS DUCK/PIG ROASTER ( FULL-HEIGHT TYPE)



型號 Model	SF-CPRE-10S
規格(mm) Specification (mm)	Ø1000x1680mm
熱負荷 Gas power	16kW
進氣口 Gas inlet	DN20
標配 Standard	燒烤石



耐熱不銹鋼反射板可輕易拆出清洗  
removable heat reflecting board with convenient clean

燃氣太空燒豬爐(安全制) GAS PIG ROASTER (FULL-HEIGHT TYPE)

型號 Model	SF-CPRE-11S
規格(mm) Specification (mm)	Ø1104x1900mm
熱負荷 Gas power	16kW
進氣口 Gas inlet	DN20
標配 Standard	燒烤石



產品特征  
FEATURES

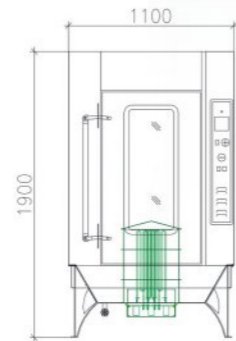
雙層隔熱外身,背部和爐門設置雙層弧面鋼化玻璃視窗,背部可視角120。自動旋轉掛架,配置10個掛鉤;設置溫度、時間控制,帶數字顯示  
 燒鴨爐:可放置8-10只燒鴨 燒豬爐:可放置3-4只燒豬  
 電熱型:採用優質發熱管加熱  
 燃氣型:耐熱不銹鋼反射板設計,經久耐用,節約能源,烘烤均勻;使用燃燒控制器,設置長明火種,脈衝電子點火,離子熄火保護。

Designed double heating insulation SS jacket body and double curved tempered glass in front and back of the roaster ; 120° viewing angle. 10 PCS automatic rotate hooks .  
 Equipped with temperature setting and time setting function with digital display.  
 Duck roaster:placed 8-10 PCS ducks. Pig roaster:placed 3-4 PCS pigs  
 Heating type:Gas and electric  
 Gas type:Equipped with heat reflecting board ,durable , energy saving , even heating .  
 Equipped with duplex solenoid valve device and electronic pulse ignition , easy operation

可視燒豬、燒鴨爐 VISUAL AUTO ROTATING ROASTER



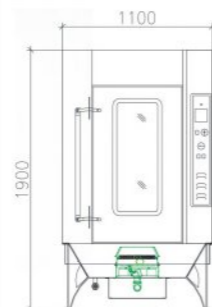
型號 Model	SF-TDR11-E
規格(mm) Specification (mm)	Ø1100x1900mm
熱負荷 Gas power	/
進氣口 Gas inlet	/
電壓 Voltage	380v/50Hz
功率 power	13.8kW



燃氣可視燒豬/燒鴨爐 GAS VISUAL PIG / DUCK STOVE



型號 Model	SF-TDR11-G
規格(mm) Specification (mm)	Ø1100x1900mm
熱負荷 Gas power	16kW
進氣口 Gas inlet	DN25
電壓 Voltage	220V/50Hz
功率 power	0.3kW



燃氣額定壓力(Rated gas pressure):天然氣為(NG)2000Pa,人工煤氣為(TG)1000Pa,石油氣為(LPG)2800Pa

產品特征  
FEATURES

3只條形爐頭,獨立控制  
 意大利進口等徑球閥  
 耐熱不銹鋼反射板設計,經久耐用  
 節約能源,烘烤均勻  
 獨立長明火種設置,安全可靠 底部設置盛油盆

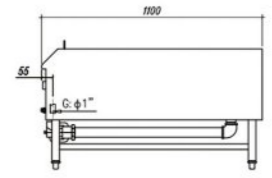
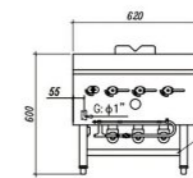
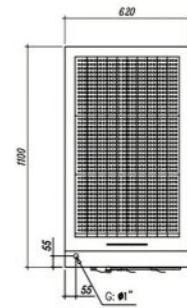
3 PCS strip burner with independent control.  
 Equal diameter ball valve imported from Italy  
 Equipped with heat reflecting board ,durable , energy saving , even heating  
 Designed grease tray in the bottom and stand pilot fire.

燃氣燒豬爐 GAS PIG ROASTER



耐熱不銹鋼反射板可輕易拆出清洗  
 Heat resistant stainless steel reflector Easy to remove and clean

型號 Model	SF-CPRE-3(F)S
規格(mm) Specification (mm)	Ø620x1100x600mm
熱負荷 Gas power	56kW
進氣口 Gas inlet	DN25



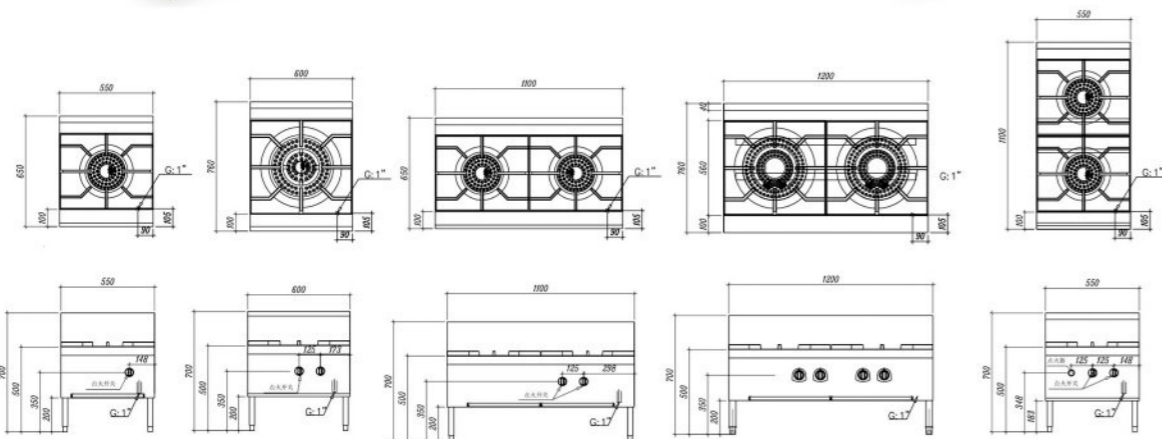
燃氣額定壓力(Rated gas pressure):天然氣為(NG)2000Pa,人工煤氣為(TG)1000Pa,石油氣為(LPG)2800Pa

產品特征  
FEATURES

燃氣矮湯爐採用8寸或14寸強力爐頭，操作方便，火力集中  
燃燒噪音小，環保節能，安全可靠  
加熱速度快，能保持食物的原色原味，保證食物營養不受破壞  
內置高效能熱電偶熄火安全裝置，確保設備安全運行  
脈衝電子點火  
鑄鐵爐花，底部設有盛油盆

8" or 14" reinforce burner for options, easily operation, concentrated firepower  
Low combustion noise, environmental and saving, safety and reliable  
Quickly heating up to keep the food nutrition  
Equipped with thermocouple flame failure protection, ensure safety working of equipment  
Electronic pulse ignition  
Cast iron grid, equipped with grease collection tray in the bottom

燃氣矮湯爐 GAS STOCK POT STOVE



規格參數表 Specification parameter table

產品名稱 PRODUCT NAME	型號 Model	規格(mm) Specification (mm)	熱負荷 Gas power	進氣口 Gas inlet	爐頭 Furnace head	備註 Remarks
燃氣單頭單圈矮湯爐 Gas 1 burner stock pot stove	SF-SS-1-8S(S)	550x650x500+200	14kW	DN25	8寸強力爐頭	
燃氣單頭雙圈矮湯爐 Gas 1 burner 2 ring stock pot stove	SF-SS-1-14D(S)	600x760x500+200	24kW	DN25	14寸強力爐頭	
燃氣雙頭單圈矮湯爐 Gas 2 burner 1 ring stock pot stove	SF-SS-2-8S(S)	1100x650x500+200	14kWx2	DN25	8寸強力爐頭	
燃氣雙頭雙圈矮湯爐 Gas 2 burner 2 ring stock pot stove	SF-SS-2-14D(S)	1200x760x500+200	24kWx2	DN25	14寸強力爐頭	
燃氣直式雙頭單圈矮湯爐 Gas vertical 2 burner 1 ring stock pot stove	SF-SS-2V(S)	550x1100x500+200	14kWx2	DN25	8寸強力爐頭	

燃氣額定壓力(Rated gas pressure):天然氣為(NG)2000Pa,人工煤氣為(TG)1000Pa,石油氣為(LPG)2800Pa

產品特征  
FEATURES

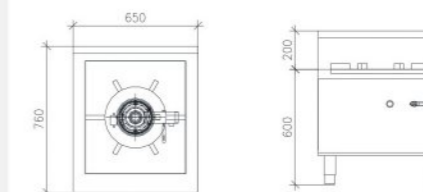
3寸溝風爐頭，熱負荷：32kW；  
使用燃燒控制器，設置常明火種，脈沖電子點火，離子熄火保護；  
每壹個爐頭配置壹臺靜音風機(200V 50Hz 100W)

3" blower burner, gas loading 32kw .  
Equipped with combustion controller and electronic pulse ignition .  
Set up stand pilot and flame failure protection .  
Each burner equipped with one blower( 220V 50Hz 100W)

燃氣矮湯爐(溝風爐頭、帶風機) GAS STOCK POT STOVE (GENERAL BURNER WITH BLOWER)

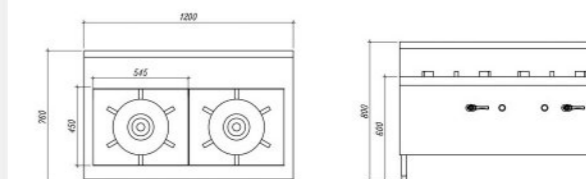


型號 Model	SF-PSE-1-F(E)
規格(mm) Specification (mm)	ø650x760x600+200
熱負荷 Gas power	32kW
進氣口 Gas inlet	DN20
備註 Remarks	



燃氣雙頭矮湯爐(安全制) GAS DOUBLE HEAD SHORT SOUP STOVE (SAFETY SYSTEM)

型號 Model	SF-PSE-2-F(E)
規格(mm) Specification (mm)	ø1200x760x600+200
熱負荷 Gas power	32kWx2
進氣口 Gas inlet	DN20
備註 Remarks	



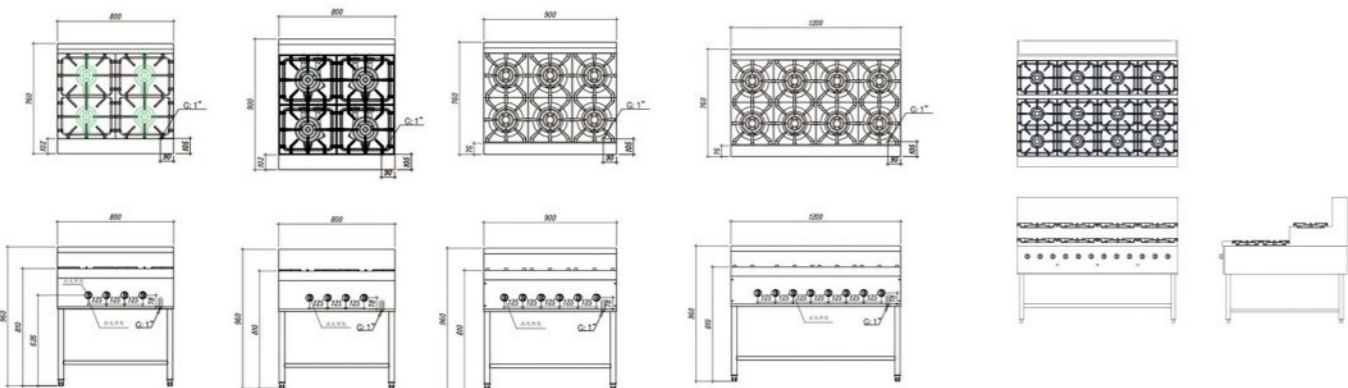
燃氣額定壓力(Rated gas pressure):天然氣為(NG)2000Pa,人工煤氣為(TG)1000Pa,石油氣為(LPG)2800Pa

產品特征  
FEATURES

操作方便, 火力集中, 加熱速度快  
燃氣噪音小, 環保節能, 安全可靠  
爐火開關連安全制內置高性能熄火安全裝置, 確保工作環境安全可靠  
鑄鐵爐花, 底部設有盛油盆

Higher heating efficiency, easy operation and low combustion noise.  
Electronic pulse ignition, environment and safety.  
Set up flame failure protection, ensure reliable running.  
Cast iron grid, set up grease drawer tray.

燃氣平頭爐 GAS OPEN FLAME RANGE



階梯型平頭爐為定制產品, 可根據客戶需求選擇爐頭個數  
The ladder type flat head furnace is a customized product, and the number of furnace heads can be selected according to the needs of customers

規格參數表 Specification parameter table

產品名稱 PRODUCT NAME	型號 Model	規格(mm) Specification (mm)	熱負荷 Gas power	進氣口 Gas inlet	爐頭 Furnace head	備註 Remarks
燃氣四頭單圈平頭爐 Gas 4 burner 1 ring open flame stove	SF-FR-4S(S)	800x760x810+150	20kW	DN25	6寸文華 爐頭	
燃氣四頭雙圈平頭爐 Gas 4 burner 2 ring open flame stove	SF-FR-4D(S)	800x900x810+150	28kW	DN25	7寸文華 爐頭	
燃氣六頭單圈平頭爐 Gas 6 burner 1 ring open flame stove	SF-FR-6S(S)	900x760x810+150	30kW	DN25	6寸文華 爐頭	
燃氣六頭雙圈平頭爐 Gas 6 burner 2 ring open flame stove	SF-FR-6D(S)	1200x900x810+150	42kW	DN25	7寸文華 爐頭	

燃氣額定壓力(Rated gas pressure):天然氣為(NG)2000Pa,人工煤氣為(TG)1000Pa,石油氣為(LPG)2800Pa

電熱型中餐爐具系列

ELECTRIC CHINESE COOKING RANGE



獨特的風格藝術 專業的烹飪技術

電熱蒸櫃系列產品, 全不銹鋼機身結構  
水膽採用1.5mm耐熱不銹鋼加工  
內膽有保溫材料包裹, 提高保溫性能  
設計低水位及超溫保護功能  
特別結構的矽膠門膠邊, 蒸層排水U型管結構 櫃門不漏蒸汽  
自動進水, 防止電熱管幹燒  
表面隔熱處理, 浮球開關自動補水  
設置時間控制, 可根據需要設定工作時間0~60分鐘  
可通過溫度設置保溫功能(85°C) 壹櫃多用  
設置櫃內照明功能  
設置專門設計的排水盒子集中蒸層排水和水膽排水, 並防止水膽水倒流入櫃內和防止櫃內蒸汽由下部外溢

UNIQUENESS PRODUCT TYPE AND PROFESSIONAL COOKING EQUIPMENT

Completely SS structure, Water tank is made of 1.5mm heat-resisting stainless steel with thermal insulation material cover for warming. Automatic filling water, over temperature and water lack protection, prevent dry heating.  
Set up time control, can be set heating time (0-60 minutes) according to requirement.  
Multi function for options----Full heating, slow heating, keep warm (Set up 85°C).  
Set up inner illumination.  
Special designed sealing silicone ring ensures the steam doesn't leak. each drawer cabinet set up U-type drainage slot to prevent the water over flowing.  
Required to install water softener device for hard water areas



產品特征  
FEATURES

水膽採用1.5mm耐熱不銹鋼加工 表面隔熱處理,浮球開關自動補水;設置超溫缺水保護,防止幹燒;設置時間控制,可根據需要設定工作時間0~60分鐘;可通過溫度設置保溫功能(85°C) 壹櫃多用;設置櫃內照明功能;設置專門設計的排水盒子集中蒸層排水和水膽排水,並防止水膽水倒流入櫃內和防止櫃內蒸汽由下部外溢;每臺爐配壹輛18層推車;硬水地區使用該設備必須裝配軟化水設置

Completely SS structure. Water tank is made of 1.5mm heat-resisting stainless steel with thermal insulation material cover for warming. Automatic filling water, over temperature and water lack protection, prevent dry heating. Special designed sealing silicone ring ensures the steam doesn't leak. each drawer cabinet set up U-type drainage slot prevent the water over flowing. Required to install water softener device for hard water areas

電熱車載蒸櫃(電子版控制) ELECTRIC ROLL-IN STEAM CABINET(ELECTRONIC CONTROL )



型號 Model	SBE-1DC-E
規格(mm) Specification (mm)	1050x900x1900
額定電壓 Rated voltage	380V
額定功率 Rated power	36kW
進水/排水 Water inlet / drainage	DN15/DN40
備註 Remarks	可放18個2/1盤

電熱車載蒸櫃(機械式控制) ELECTRIC ROLL-IN STEAM CABINET( MECHANICAL CONTROL )

型號 Model	SBE-1DE-E
規格(mm) Specification (mm)	1050x900x1900
額定電壓 Rated voltage	380V
額定功率 Rated power	36kW
進水/排水 Water inlet / drainage	DN15/DN40
備註 Remarks	可放18個2/1盤

電熱車載蒸櫃(機械式控制) ELECTRIC ROLL-IN STEAM CABINET( MECHANICAL CONTROL )

型號 Model	SBE-1SE-E
規格(mm) Specification (mm)	850x800x1900
額定電壓 Rated voltage	380V
額定功率 Rated power	36kW
進水/排水 Water inlet / drainage	DN15/DN40
備註 Remarks	可放18個2/1盤

產品特征  
FEATURES

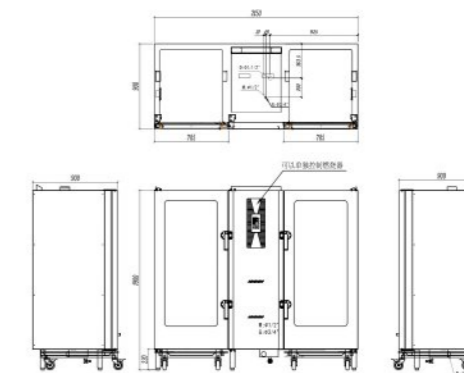
水膽採用1.5mm耐熱不銹鋼加工 表面隔熱處理,浮球開關自動補水;設置超溫缺水保護,防止幹燒;設置時間控制,可根據需要設定工作時間0~60分鐘;可通過溫度設置保溫功能(85°C) 壹櫃多用;設置櫃內照明功能;設置專門設計的排水盒子集中蒸層排水和水膽排水,並防止水膽水倒流入櫃內和防止櫃內蒸汽由下部外溢;每臺爐配壹輛18層推車;硬水地區使用該設備必須裝配軟化水設置

Completely SS structure. Water tank is made of 1.5mm heat-resisting stainless steel with thermal insulation material cover for warming. Automatic filling water, over temperature and water lack protection, prevent dry heating. Set up time control, can be set heating time (0-60 minutes) according to requirement. Multi function for options----Full heating, slow heating, keep warm (Set up 85°C). Set up inner illumination. Equipped with 18 layer trolley for each steam cabinet. Special designed drainage system can prevent condensate water over flowing. Required to install water softener device for hard water areas

電熱雙門車載蒸櫃(電子版控制) ELECTRIC DOUBLE DOOR ROLL-IN STEAM CABINET(ELECTRONIC CONTROL )



型號 Model	SBE-2DC-E
規格(mm) Specification (mm)	1950x900x1900
額定電壓 Rated voltage	380V
額定功率 Rated power	(54+3)kW
進水/排水 Water inlet / drainage	DN15/DN40
備註 Remarks	可放36個2/1盤



產品特征  
FEATURES

電熱蒸櫃系列產品,全不銹鋼機身結構  
水膽採用1.5mm耐熱不銹鋼加工  
內膽有保溫材料包裹,提高保溫性能  
設計低水位及超溫保護功能  
特別結構的矽膠門膠邊,櫃門不漏蒸汽  
自動進水,防止電熱管幹燒  
蒸層排水U型管結構,防止蒸汽由下部外溢  
硬水地區使用該設備必須裝配軟化水裝置

Completely SS structure, Water tank is made of 1.5mm heat-resisting stainless steel with thermal insulation material cover for warming .  
Automatic filling water, over temperature and water lack protection , prevent dry heating.  
Special designed sealing silicone ring ensures the steam doesn't leak. each drawer cabinet set up U-type drainage slot to prevent the water over flowing.  
Required to install water softener device for hard water areas

產品特征  
FEATURES

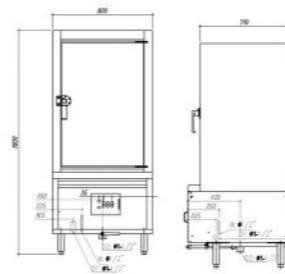
電熱蒸櫃系列產品,全不銹鋼機身結構  
水膽採用1.5mm耐熱不銹鋼加工  
內膽有保溫材料包裹,提高保溫性能  
設計低水位及超溫保護功能  
特別結構的矽膠門膠邊,櫃門不漏蒸汽  
自動進水,防止電熱管幹燒  
蒸層排水U型管結構,防止蒸汽由下部外溢  
硬水地區使用該設備必須裝配軟化水裝置

Completely SS structure, Water tank is made of 1.5mm heat-resisting stainless steel with thermal insulation material cover for warming .  
Automatic filling water, over temperature and water lack protection , prevent dry heating.  
Special designed sealing silicone ring ensures the steam doesn't leak. each drawer cabinet set up U-type drainage slot to prevent the water over flowing.  
Required to install water softener device for hard water areas

電熱單門蒸櫃 ELECTRIC SINGLE DOOR ENVIRONMENTAL STEAM CABINET



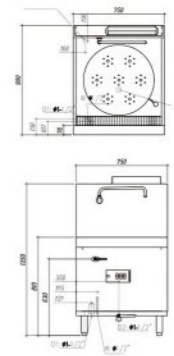
型號 Model	SF-1PH
規格(mm) Specification (mm)	800x810x1800
額定電壓 Rated voltage	380V
額定功率 Rated power	27kW
進水/排水 Water inlet / drainage	DN15/DN40
備註 Remarks	



電熱單頭蒸爐 ELECTRIC SINGLE UNIT ENVIRONMENTAL STEAMER



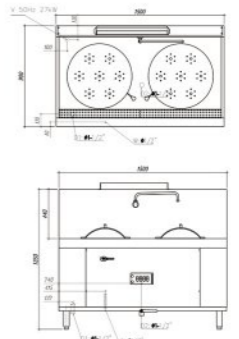
型號 Model	SF-27P
規格(mm) Specification (mm)	750x900x810+440
額定電壓 Rated voltage	380V
額定功率 Rated power	27kW
進水/排水 Water inlet / drainage	DN15/DN40
備註 Remarks	配蒸板 水龍頭



電熱雙頭蒸爐 ELECTRIC DOUBLE UNIT ENVIRONMENTAL STEAMER



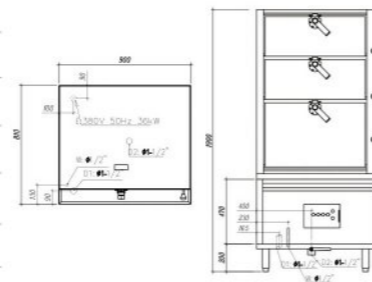
型號 Model	SF-45P
規格(mm) Specification (mm)	1500x900x810+440
額定電壓 Rated voltage	380V
額定功率 Rated power	45kW
進水/排水 Water inlet / drainage	DN15/DN40
備註 Remarks	配蒸板 水龍頭



電熱三門蒸櫃 ELECTRIC TRIPLE DOOR ENVIRONMENTAL STEAM CABINET



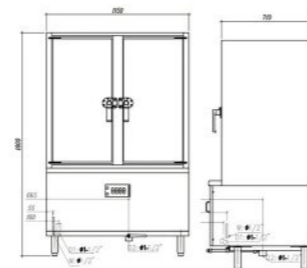
型號 Model	SF-3PH
規格(mm) Specification (mm)	900x810x1900
額定電壓 Rated voltage	380V
額定功率 Rated power	36kW
進水/排水 Water inlet / drainage	DN15/DN40
備註 Remarks	



電熱雙門對開蒸櫃 ELECTRIC WING DOOR ENVIRONMENTAL STEAM CABINET



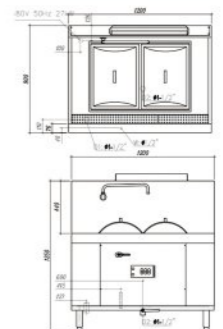
型號 Model	SF-2CP
規格(mm) Specification (mm)	1150x810x1800
額定電壓 Rated voltage	380V
額定功率 Rated power	45kW
進水/排水 Water inlet / drainage	DN15/DN40
備註 Remarks	



電熱雙頭腸粉爐 ELECTRIC DOUBLE GRID RICE ROLL ENVIRONMENTAL STEAMER



型號 Model	SF-27H
規格(mm) Specification (mm)	1200x900x810+440
額定電壓 Rated voltage	380V
額定功率 Rated power	27kW
進水/排水 Water inlet / drainage	DN15/DN40
備註 Remarks	配腸粉蓋 水龍頭



產品特征  
FEATURES

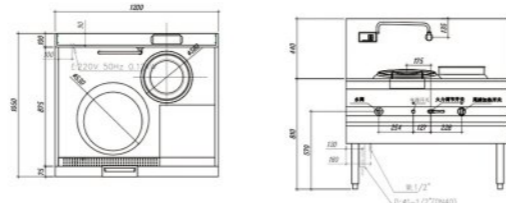
整體臺面沖壓成型。  
電磁爐無明火、無廢氣，可減少環境汙染。  
電磁感應加熱，熱效率高達90%以上  
微電腦溫控系統，具有無鍋檢測。  
設置超溫，自動故障檢測，電壓過高過低及缺相保護等  
火力電子顯示，多擋火力調節，功率漸進式可調  
雙重金屬炒鍋遮罩設計，防止電磁輻射  
進口凹面玻璃，與弧面達到完美結合。

One punched work top,  
No open flame, no flue gas emission, reduces environmental  
polluting  
Electromagnetic heating, microcomputer temperature control  
system, thermal efficiency is over 90%  
Equipped with no pot detection, over temperature protection,  
automatic fault detection, voltage abnormally and open phase  
protection.  
Adjustable gradual model heating type with digital display.  
Double-layered SS shell can prevent electromagnetic radiation.  
Imported concave glass, perfectly combines with worktop.

電磁單頭單尾炒爐 CHINESE INDUCTION RANGE WITH 1 WOK 1 REAR STOVE



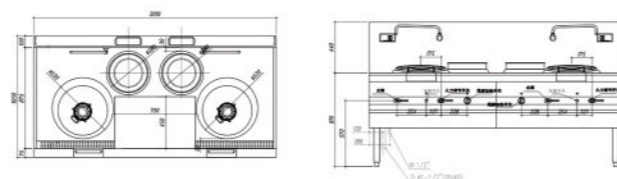
型號 Model	MLWC-1-E
規格(mm) Specification (mm)	1200x1050x810+440
額定電壓 Rated voltage	380V
額定功率 Rated power	16kW+2kW
進水/排水 Water inlet / drainage	DN15/DN40
備註 Remarks	
標配 Standard	調料板 鍋枕 炒鍋
選配 Optional	凍水盆 爪籬架



電磁雙頭雙尾炒爐 CHINESE INDUCTION RANGE WITH 2 WOKS 2 REAR STOVES



型號 Model	MLWC-2-E
規格(mm) Specification (mm)	2100x1050x810+440
額定電壓 Rated voltage	380V
額定功率 Rated power	(16+2) kWx2
進水/排水 Water inlet / drainage	DN15/DN40
備註 Remarks	
標配 Standard	調料板 鍋枕 炒鍋
選配 Optional	凍水盆 爪籬架



產品特征  
FEATURES

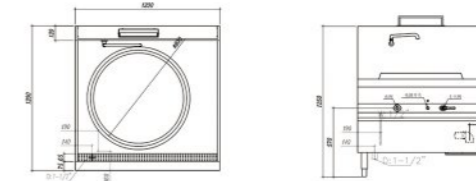
20kw大功率電磁爐，整體臺面壹體成型  
鍋體採用2.5mm的不銹鋼壹體成型  
電磁爐無明火、無廢氣，可減少環境汙染  
電磁感應加熱，熱效率高達95%以上  
微電腦溫控系統，具有無鍋檢測  
設置超溫，自動故障檢測，電壓過高過低及缺相保護等  
火力電子顯示，多擋火力調節，功率漸進式可調  
雙重金屬殼遮罩設計，防止電磁輻射

20KW higher power heating core. One punched work top and  
cooking wok.  
No open flame, no flue gas emission, reduces environmental  
polluting .  
Electromagnetic heating, microcomputer temperature control  
system, thermal efficiency is over 95%  
Equipped with no pot detection over temperature protection,  
automatic fault detection, voltage abnormally and open phase  
protection.  
Adjustable gradual model heating type with digital display.  
Double-layered SS shell can prevent electromagnetic radiation

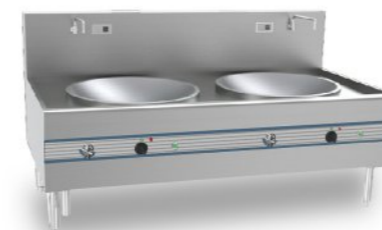
電磁單頭大炒爐 CHINESE INDUCTION RANGE WITH 1 LARGE WOK



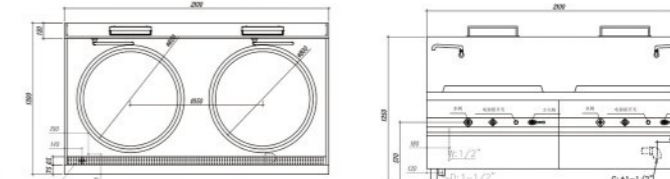
型號 Model	MLWC-1P-E20
規格(mm) Specification (mm)	1200x1200x810+440
額定電壓 Rated voltage	380V
額定功率 Rated power	20kW
進水/排水 Water inlet / drainage	DN15/DN40
備註 Remarks	
標配 Standard	水龍頭 炒鍋
選配 Optional	



電磁雙頭大炒爐 CHINESE INDUCTION RANGE WITH 2 LARGE WOKS



型號 Model	MLWC-2P-E20
規格(mm) Specification (mm)	2100x1200x810+440
額定電壓 Rated voltage	380V
額定功率 Rated power	20kWx2
進水/排水 Water inlet / drainage	DN15/DN40
備註 Remarks	
標配 Standard	水龍頭 炒鍋
選配 Optional	



產品特征  
FEATURES

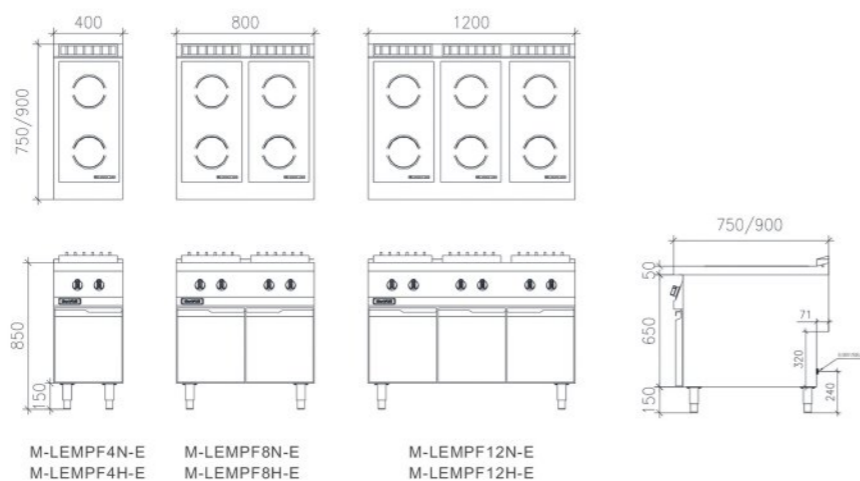
全不銹鋼機身結構;可調不銹鋼腳,放置平穩  
 采用SU304#2.0mm厚工作臺面  
 微晶玻璃面板  
 具有無鍋檢測、超溫保護、電壓過高過低以及缺相保護  
 電磁感應加熱,升溫快,熱效率高達90%以上  
 進口IGBT,IGBT過熱保護  
 微晶腦精密控制火力,功效漸進式可調

Completely SS body. One punched worktop with 2mm thickness.  
 Adjustable SS feet convenient for install.  
 Glass ceramics plate  
 Electromagnetic heating ,microcomputer temperature control system, thermal efficiency is over 90%  
 Equipped with no pot detection, over temperature protection, automatic fault detection, voltage abnormally and open phase protection.  
 Imported IGBT over temperature protection  
 Microcomputer temperature control system, Adjustable gradual model heating type with digital display

落地式電磁平頭爐  
FLOOR STAND INDUCTION RANGE WITH HOBS



型號 Model	規格(mm) Specification (mm)	額定電壓 Rated voltage	額定功率 Rated power	備註 Remarks
M-LEMPF4N-E	400x750x850	220V	3.5kW*2	
M-LEMPF8N-E	800x750x850	380V	3.5kW*4	
M-LEMPF12N-E	1200x750x850	380V	3.5kW*6	
M-LEMPF4H-E	400x900x850	220V	3.5kW*2	
M-LEMPF8H-E	800x900x850	380V	3.5kW*4	
M-LEMPF12H-E	1200x900x850	380V	3.5kW*6	



產品特征  
FEATURES

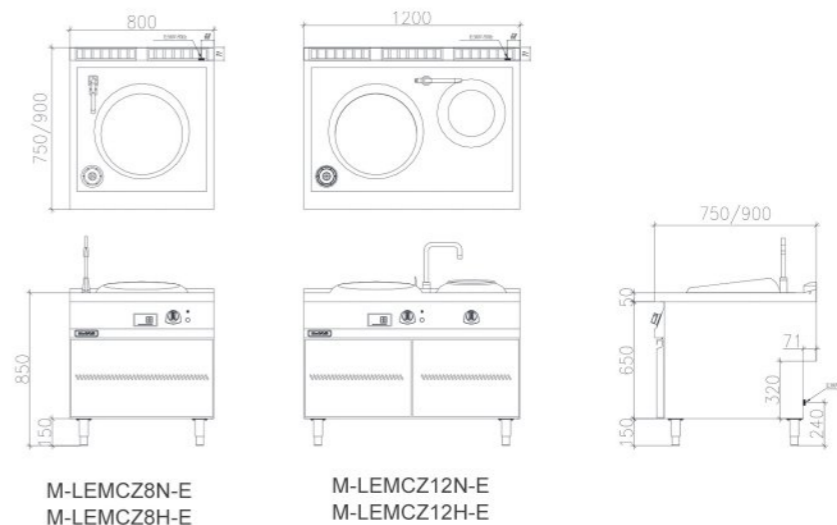
全不銹鋼機身結構;可調不銹鋼腳,放置平穩  
 采用SU304#1.5mm厚工作臺面,整體沖壓成型  
 微電腦控制系統  
 進口凹面玻璃,與炒鍋弧面達到完美結合  
 具有無鍋檢測、超溫保護。電壓過高過低及缺相等保護  
 電磁感應加熱,升溫快、熱效率高達90%以上  
 進口IGBT,IGBT過熱保護  
 火力電子顯示;微電腦精密控制火力,功率漸進式可調

Completely SS body. One punched worktop with 2mm thickness.  
 Adjustable SS feet convenient for install.  
 Equipped with no pot detection, over temperature protection, automatic fault detection, voltage abnormally and open phase protection.  
 Electromagnetic heating ,microcomputer temperature control system, thermal efficiency is over 90%  
 Imported concave glass, perfectly combines with woktop.  
 Imported IGBT over temperature protection  
 Adjustable gradual model heating type with digital display

落地式電磁炒爐  
FLOOR STAND INDUCTION RANGE WITH WOK



型號 Model	規格(mm) Specification (mm)	額定電壓 Rated voltage	額定功率 Rated power	進水口/排水口 Water inlet / outlet	備註 Remarks
M-LEMCZ8N-E	800x750x850	380V	16kW	DN15/DN40	配1个炒锅水龙头
M-LEMCZ12N-E	1200x750x850	380V	16kW+2kW	DN15/DN40	配1个炒锅水龙头
M-LEMCZ8H-E	800x900x850	380V	16kW	DN15/DN40	配1个炒锅水龙头
M-LEMCZ12H-E	1200x900x850	380V	16kW+2kW	DN15/DN40	配1个炒锅水龙头



產品特征  
FEATURES

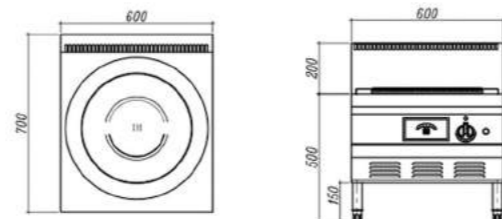
大功率電磁爐矮湯爐。整體臺面衝壓成型。  
電磁爐無明火、無廢氣，可減少環境汙染。  
電磁感應加熱，熱效率高達90%以上。  
微電腦溫控系統，具有無鍋檢測。  
設置超溫，自動故障檢測，電壓過高過低及缺相保護等。  
火力電子顯示，多檔火力調節，功率漸進式可調  
雙重金屬殼遮罩設計，防止電磁輻射。

Higher power heating core. One punched work top and cooking wok.  
No open flame, no flue gas emission, reduces environmental polluting.  
Electromagnetic heating, microcomputer temperature control system, thermal efficiency is over 90%.  
Equipped with no pot detection over temperature protection, automatic fault detection, voltage abnormally and open phase protection.  
Adjustable gradual model heating type with digital display  
Double-layered SS shell can prevent electromagnetic radiation.

電磁單頭矮湯爐 INDUCTION STOCK POT STOVE WITH 1 HEAD



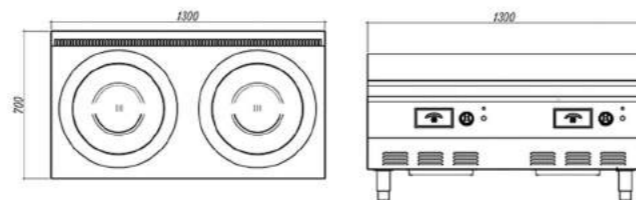
型號 Model	MLWS-1-E12	MLWS-1-E15
規格(mm) Specification (mm)	600x700x500+200	600x700x500+200
額定電壓 Rated voltage	380V	380V
額定功率 Rated power	12kW	15kW
備註 Remarks		



電磁雙頭矮湯爐 INDUCTION STOCK POT STOVE WITH 2 HEADS



型號 Model	MLWS-2-E12	MLWS-2-E15
規格(mm) Specification (mm)	1300x700x500+200	1300x700x500+200
額定電壓 Rated voltage	380V	380V
額定功率 Rated power	12kWx2	15kWx2
備註 Remarks		



產品特征  
FEATURES

高檔耐熱晶化玻璃面板，美觀大方，便於清潔維護  
電磁感應原理對鍋具加熱，升溫快，熱效率高達90%以上，高效節能。具有無鍋檢測，超溫保護，自動故障檢測，電壓過高過低及缺相保護等，多檔火力調節，功率漸進式可調

Heat-resistant Glass ceramics plate with beautiful appearance convenient for clean.  
Electromagnetic heating, microcomputer temperature control system, thermal efficiency is over 90%.  
Equipped with no pot detection over temperature protection, automatic fault detection, voltage abnormally and open phase protection.  
Adjustable gradual model heating type with digital display.

座臺式電磁平頭爐 COUNTERTOP INDUCTION RANGE WITH HOBS



型號 Model	M-TEMPF4N-E	M-TEMPF8N-E	M-TEMPF12N-E
規格(mm) Specification (mm)	400x700x290	800x700x290	1200x700x290
額定電壓 Rated voltage	220V	380V	380V
額定功率 Rated power	3.5kWx2	3.5kWx4	3.5kWx6
備註 Remarks			

座台式、嵌入式電磁爐 COUNTERTOP & BUILT-IN INDUCTION COOKING RANGE



產品名稱 PRODUCT NAME	型號 Model	規格(mm) Specification (mm)	電壓 Voltage	功率 power	備註 Remarks
嵌入式電磁單頭平頭爐 Built-in Induction Hob with Single Zone	MQTS-240K	340x340x(80)	220V	2.4kW	
嵌入式電磁單頭平頭爐 Built-in Induction Hob with Single Zone	MQTS-350K	350x350x(75)	220V	3.5kW	
嵌入式電磁雙頭平頭爐 Built-in Induction Hob with 2 Zone	MQTS-240K2	340x640x(60)	220V	2.4kWx2	
嵌入式電磁雙頭平頭爐 Built-in Induction Hob with 2 Zone	MQTS-350K2	350x700x(75)	220V	3.5kWx2	
座臺式電磁單頭平頭爐 Countertop Induction Hob with Single Zone	MZTS-240T	350x425x(85+30)	220V	2.4kW	
座臺式電磁單頭平頭爐 Countertop Induction Hob with Single Zone	MZTS-350T	350x425x(85+30)	220V	3.5kW	
座臺式電磁雙頭平頭爐 Countertop Induction Hob with 2 Zone	MZTS-240T2	700x425x(85+30)	220V	2.4kWx2	
座臺式電磁雙頭平頭爐 Countertop Induction Hob with 2 Zone	MZTS-350T2	700x425x(85+30)	220V	3.5kWx2	



# 萬能蒸烤箱系列

## Combi oven



### 產品性能 PRODUCT PERFORMANCE

電熱萬能蒸烤箱系列分為6盤、10盤、20盤，可容納多種盤，微電腦自動控制集幹蒸、濕蒸和烘烤等功能於壹體可自行設定多種程式，設有緩沖加熱門開關安全、蒸汽回饋功能、櫃內設置照明燈，方便觀察烤箱內烹飪的食物

The electric combi oven series consist of 6 trays, 10 trays, 20 trays. Automatic microcomputer control system Multi function for options, such as dry steam, wet steam, baking, roasting and so on. set up door safety switcher, steam recover function. set up inner illumination that convenient detection food cooking progress.

### 附件 Accessory

標配：  
6盤：每臺爐配壹把噴槍  
10盤：每臺爐配壹把噴槍  
20盤：每臺爐配壹把噴槍 20層推車壹臺  
選配：  
6盤、10盤可選擇是否配底座

Standard：  
6 trays: Equipped with 1 PCS spray gun  
10 trays: Equipped with 1 PCS spray gun  
20 trays: Equipped with 1 PCS spray gun and 1 PCS of 20 layer trolley  
Optional：  
6 trays or 10 trays: Base holder for options.



烤箱底座

## 萬能蒸烤箱系列 | COMBI OVEN

### 產品特征 FEATURES

全不銹鋼機身結構；微電腦自動控制集幹蒸、濕蒸和烘烤等功能於壹體；自帶鍋體，蒸汽充分，鍋爐自動進水和缺水保護，防止幹燒裝置；設有緩沖加熱，門開關安全，蒸汽回饋等功能；設有耐高溫玻璃門及櫃內照明燈，容易檢視操作情況；可24小時連續烹煮功能及1/2節省能源烹煮法  
 幹燒溫度：30°C~300°C  
 濕蒸溫度：30°C~300°C  
 烘烤溫度：30°C~300°C

Completely SS body structure. Automatic microcomputer control system Multi function for options, such as dry steam, wet steam, baking, roasting and so on.  
 Equipped with boiler tank to generate fully steam. set up automatic filling water and water lack protection, dry heating protection.  
 Door safety switcher, steam recover function.  
 Set up inner illumination that convenient detection food cooking progress. (Can be set full day running or energy-saving model)  
 Roaster temperature: 30°C~300°C  
 Steam temperature: 30°C~130°C  
 Baking temperature: 30°C~300°C

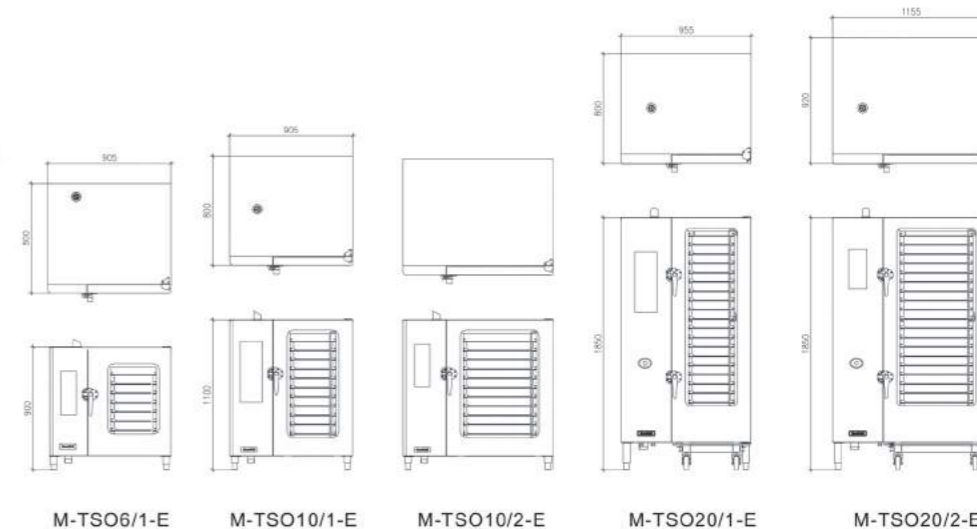
### 萬能蒸烤箱 COMBI OVEN



型號 Model	規格(mm) Specification (mm)	額定电压 Rated voltage	額定功率 Rated power	進水口/排水口 Water inlet / outlet	容量 capacity
M-TSO6/1-E	850x770x800	380V	7.5kW	DN15/DN40	6*1/1G盤
M-TSO10/1-E	850x770x1060	380V	12kW	DN15/DN40	10*1/1G盤
M-TSO10/2-E	1110x900x1100	380V	18kW	DN15/DN40	10*2/1G盤
M-TSO20/1-E	850x770x1810	380V	20kW	DN15/DN40	20*1/1G盤
M-TSO20/2-E	1150x920x1850	380V	30kW	DN15/DN40	20*2/1G盤

6盤、10盤烤箱可選配下底座，20格萬能蒸烤爐想隨機帶壹輛GN份盆推車。(份盆不包括)  
 Under Stand for Combi oven in 6 trays or 10 trays is optional; GN Trolley for 20 trays is standard (GN pans are not included).

產品名稱 Product name	型号 Model	規格(mm) Specification (mm)	備註 Remarks
底座	F9078N	850x770x700	配M-TSO6/1-E和M-TSO10/1-E用
底座	F1188N	1105x880x80	配M-TSO10/2-E用



# 懸掛式組合爐

## CANTILEVER EXECUTION



### 節能環保 安全可靠

### Saving Environment Safety Reliability

整體高強度不銹鋼結構  
獨特的安裝橋接和掛鉤設計  
多種模塊選擇, 可按需組合  
底部暢通, 便於清潔  
完全適合大型和商業餐飲的特定要求  
醫院、食堂、公司、學校、企業等  
現場安裝 提供不同的設計, 輕鬆進行規劃  
和安裝  
“壁掛式安裝 牆式、立式”可以組合多種設  
備  
易於清潔, 堅固耐用  
具有高設備和操作可靠性  
人性化設計, 精緻的製造工藝

completely high strength stainless  
steel structure.  
Specialized bridge base holder and  
hanger.  
Multiple module for options, kinds of  
combination as needs.  
Emptying bottom for easy cleaning  
Completely suitable for the catering  
specific requirements of Hospitals,  
companies, schools, enterprises, etc  
provide Different designs and  
installation type(Wall mounted, stand  
floor). kinds of heating function for  
options and combination.  
Convenient for clean and quilt strong  
and durable  
Humanized design and exquisite  
manufacturing crafts.



### 產品概述 PRODUCT OVERVIEW

### 標準版本 STANDARD VERSION

#### 橋梁安裝

Bridge type



#### 立牆安裝

Against the wall type



### 特征 FEATURES

- 全不銹鋼機身結構, 防水、防潮  
Completely stainless steel body structure,  
waterproof, moisture proof
- 現場安裝可調不銹鋼腳, 放置平穩  
Adjustable stainless steel feet on site for  
smooth placement
- 可更換單個功能  
Replaceable cooking function
- 單個部件可更換  
Replaceable cooking function
- 安裝和維護成本最低  
Low costs of installation and maintenance
- 設計不必要的拐角和接縫易於清潔  
Without redundant corners and seams  
design, convenient for clean.
- 嵌入式連接技術  
Built-in connection type with high  
performance and high reliability
- 高性能高可靠性  
High performance and reliability
- 獨特的安裝橋接和掛鉤設計  
Unique installation bridge and hook  
design



# 特殊產品系列 操作安全方便

SPECIALTY EQUIPMENT SIMPLE & SAFE OPERATION



## 石窯類系列

STONE STOVE SERIES

Markphili根據多年的生產及研發經驗，依靠先進的生產檢測設備及質控措施，生產了壹系列的石窯類爐具，產品主要有披薩爐、燒烤爐、燒鴨爐和燒豬爐等。此類爐具要求爐具有較大的發熱量，設有0~400℃可調溫度自動控制，鐵制外殼內襯特製整體耐火泥，耐火石板底。

Based on years of experience in production R & D, inspection and quality control measures that markphili has produced a series of stone cooking equipment. Mainly including pizza oven, barbecue oven, duck oven and pig oven. This series cooking equipment owned large heating capacity, equipped with 0~400℃ adjustable temperature control device. Special iron shell with special integral heat resisting chamber and heat stone plate.



## 特殊產品系列

Specialty Equipment\_Oven

### 產品特征 FEATURES

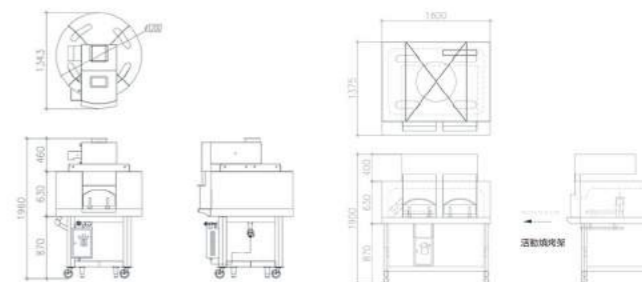
採用燃燒控制器分步控制雙聯電磁閥，火種未點燃時，主氣閥不打開；設置穩壓調壓器，燃燒火焰穩定；配置自動脈衝電子點火；離子檢測熄火保護；排氣管達120℃自動灑水，排氣管達130℃自動斷燃氣；需配置抽風，抽風量大於580m<sup>3</sup>/h；外部裝飾由客戶承建。

Stepwise controlled by duplex solenoid valve, the main gas valve doesn't open until the pilot ignites. set up pressure regulator, stand pilot, electronic pulse ignition and ion flame failure protection. Automatic open spray device when the flue arrived 120℃. Automatic cut off gas supply when the flue arrived 350℃. Need equipped with exhaust fan with wind capacity bigger than 580m<sup>3</sup>/h. External decoration by customer.

### 石窯類系列 STONE STOVE SERIES

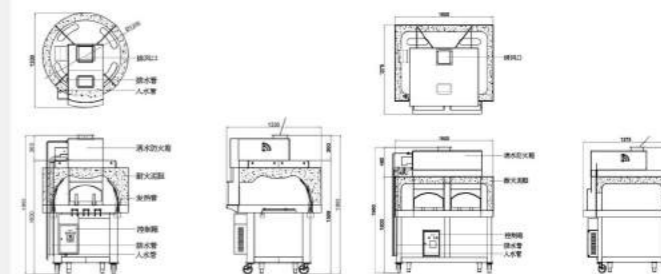


產品名稱 PRODUCT NAME	燃氣單口披薩爐 Gas single port pizza oven	燃氣雙口披薩爐連續烤爐 Gas double port pizza oven
型號 Model	M-CPO48F-G	M-CPR-140W
規格(mm) Specification (mm)	1200x1600+360	1600x1375x1500+400
熱負荷 Gas power	16kW+3kW=19kW	16kW+9kW+3kW=28kW
耗電量 Power consumption	220V/0.025kW	220V/0.025kW
進氣口 Gas inlet	DN20	DN20
進水口/排水口 Water inlet / outlet	DN15/DN40	DN15/DN40
備註 Remarks	內設觀賞火焰 外部裝飾由客戶承建	內設觀賞火焰 外部裝飾由客戶承建



### 電熱圓形披薩爐 ELECTRIC ROUND PIZZA OVEN

產品名稱 PRODUCT NAME	電熱圓形披薩爐 Electric Round Pizza Oven	電熱石窯披薩爐連續烤爐 Electric stone pizza oven with grill
型號 Model	M-CPO48F-E	M-CPR-140W-E
規格(mm) Specification (mm)	1200x1600+360	1600x1375x1500+400
電功率 Electric power	4.5kWx4=18kW	4.5kWx4+4.5kW=22.5kW
電源 Power Supply	380V/50Hz	380V/50Hz
入水口 water inlet	Φ1/2" (DN15)	Φ1/2" (DN15)
排水口 Water outlet	Φ1-1/2" (DN40)	Φ1-1/2" (DN40)



產品特征  
FEATURES

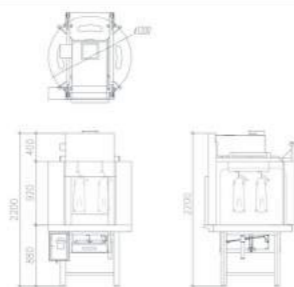
0~400°C 可調溫度自動控制, 根據需要設定所需溫度  
三組遠紅外發熱管, 根據需要調節火力  
配置過電流保護開關  
設置超溫保護開關, 安全可靠  
排氣管達120°C自動灑水. 排氣管達350°C自動斷電  
鐵制外殼, 內膽特製整體耐火泥, 耐火石板底  
內膽尺寸Φ1000mm  
需配置抽風, 抽風量大於580m<sup>3</sup>/h

Three groups of infrared heating elements. 0 ~ 400 ° C adjustable temperature as required.  
Equipped with over current protection and over temperature protection, safety and good reliability.  
Automatic open water spray device when the flue arrived 120°C, Automatic cut off gas supply once the flue arrived 350°C.  
Iron shell with special integral heat resisting chamber and heat stone plate.  
Inner chamber dimension: Φ1000mm.  
Need equipped with exhaust fan with wind capacity over 580m<sup>3</sup>/h.

燃氣圓形北京燒鴨爐 GAS ROUND PEKING DUCK OVEN

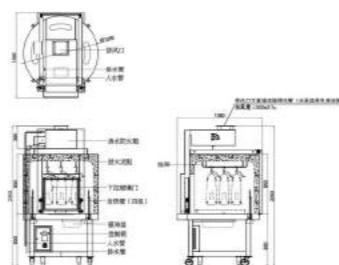


型號 Model	M-PDO-100W
規格(mm) Specification (mm)	1200x2200
熱負荷 Gas power	14kw
耗電量 Power consumption	220V/0.025kW
進氣口 Gas inlet	DN20
進水口/排水口 Water inlet / outlet	DN15/DN40
備註 Remarks	外部裝飾由客戶承建



電熱圓形北京燒鴨爐 ELECTRIC STONE PEKING DUCK OVEN

型號 Model	M-PDO-100R-E
規格(mm) Specification (mm)	1200x2200
電功率 Electric power	4.5kWx4=18kW
電源 Power Supply	380V/50Hz
入水口 water inlet	Φ1/2" (DN15)
排水口 Water outlet	Φ1-1/2" (DN40)



產品特征  
FEATURES

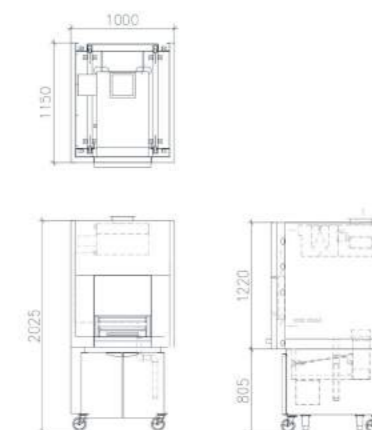
耐火材料澆築內膽, 圓弧角設計有利熱量傳導; 特設果木燃燒系統, 可以通過風門調節控制燃燒速度, 來控制爐內溫度; 配重上下拉門, 操作輕便, 並且可以通過門高度調節爐內上下層的溫度; 可選擇在左邊或右邊設置果木添加窗口(標準在左面), 窗口側需要預留不小於500mm的操作位置; 特設防火灑水系統, 自動向節油盆內加水, 抽煙溫度超過140度自動灑水降溫; 鐵制外殼, 內膽特製整體耐火泥, 需配置抽風, 抽風量大於580m<sup>3</sup>/h; 外部裝飾由客戶承建; 安裝時需接駁220V/50Hz/0.025kW

Heat resisting material chamber with arc type which convenient for heating transfer. Special design wood combustion system, temperature control by adjustable wind window.  
Equipped with weight balance door to adjust upper layer and down layer temperature.  
Selection of left side or right side wood addition window(Standard: left side) which need more than 500mm operation space.  
Special designed water spray cooling device. automatic filling water into the water pan and Automatic open spray device when the flue arrived 140°C.  
equipped with iron shell with special integral heat resisting chamber  
Need equipped with exhaust fan with wind capacity over 580m<sup>3</sup>/h.  
External decoration by customer and need power supply 220V/50Hz/0.025KW when installation

石窯果木煙燻爐 WOOD FIRED SMOKE OVEN



型號 Model	M-CSO-36W
規格(mm) Specification (mm)	1000x1200x2050
主能源 Main energy source	果木和木炭
耗電量 Power consumption	220V/0.025
進水口/排水口 Water inlet / outlet	DN15/DN40
備註 Remarks	外部裝飾由客戶承建





產品特征 FEATURES

此系列爐具可根據客戶要求設計扒爐、燒烤爐、半燒烤半扒爐  
不銹鋼框架式的結構，設置可調子彈腳，方便安裝調節  
周邊採用卡固結構的活動裙腳擋水板  
3.0mm 無縫臺面，表面手工無序紋路  
配置抽拉式活動的盛油盆，易於油脂收集及清潔

This series cooking stove can be custom made griddle, grill, half grill & half griddle according to customer requirement.  
Completely SS frame structure, Adjustable SS feet convenient for install.  
Removable water proof board. 3mm full welding countertop with polish treatment.  
Equipped with drawer type grease tray ,convenient collection grease.

扒爐/GRIDDLE

18mm 厚的磨砂精鋼扒板  
恆溫控制，100°C~300°C可調  
設置420°C超溫保護，可手動復位

18mm heating board made by premium stainless steel and full welding with the worktop.  
Adjustable temperature range 100°C-300°C, set up 420°C over temperature protection. with manual reset

燒烤爐/Grill

ø1200 以上尺寸可設置旋轉刀叉，獨特的可拆卸耐火鑄鐵搪瓷燒烤架，防止燒烤殘油汙染食物

Can be equipped with rotate fork once diameter over φ 1200.  
Removable heat-resisting cast iron grid prevent the grease polluting food



電熱系列 ELECTRIC SERIES

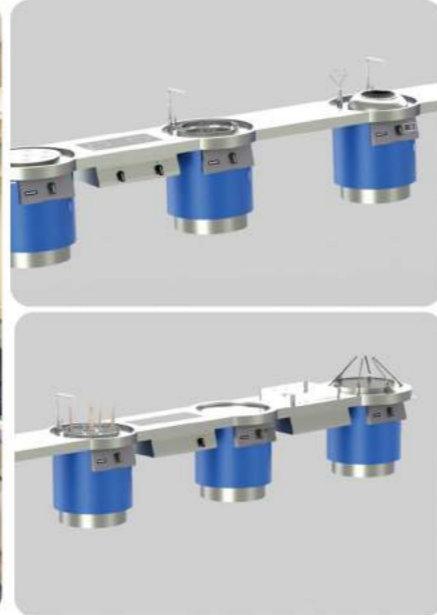
產品名稱 Product name	型號 Model	規格(mm) Specification (mm)	電壓 Voltage	電功率 Electric Power	備註 Remarks
電熱圓形燒烤爐 Electric round charbroiler	M-CBBS12H-E	Φ1200x850	380V	18kW	
電熱圓形燒烤爐 Electric round charbroiler	M-CBBS15H-E	Φ1500x850	380V	18kW	4只獨立旋轉刀叉 4 PCS Rotatable fork
電熱圓形平扒爐 Electric Round Smooth Griddle	M-CGRF12H-E	Φ1200x850	380V	18kW	
電熱圓形平扒爐 Gas environmental protection single door steam cabinet	M-CGRF15H-E	Φ1500x850	380V	18kW	
電熱圓形半平扒半燒烤爐 Electric Half Smooth Griddle And Half Grill	M-CBBS12H-F-E	Φ1200x850	380V	16.5kW	
電熱圓形半平扒半燒烤爐 Electric Half Smooth Griddle And Half Grill	M-CBBS15H-F-E	Φ1500x850	380V	16.5kW	4只獨立旋轉刀叉 4 PCS Rotatable fork

燃氣系列 GAS SERIES

產品名稱 Product name	型號 Model	規格(mm) Specification (mm)	電功率 Electric Power	熱負荷 Gas Power	備註 Remarks
燃氣圓形燒烤爐 Gas round charbroiler	M-CBBS12H-G	Φ1200x850		36kW	
燃氣圓形燒烤爐 Gas round charbroiler	M-CBBS15H-G	Φ1500x850	220V/120W	36kW	4只獨立旋轉刀叉 4 PCS Rotatable fork
燃氣圓形平扒爐 Gas Round Smooth Griddle	M-CGRF12H-G	Φ1200x850		36kW	
燃氣圓形平扒爐 Gas Round Smooth Griddle	M-CGRF15H-G	Φ1500x850		36kW	
燃氣圓形半平扒半燒烤爐 Gas Half Smooth Griddle And Half Grill	M-CBBS12H-F-G	Φ1200x850		36kW	
燃氣圓形半平扒半燒烤爐 Gas Half Smooth Griddle And Half Grill	M-CBBS15H-F-G	Φ1500x850	220V/120W	36kW	4只獨立旋轉刀叉 4 PCS Rotatable fork

# Φ900圓形爐具系列

## Ø900 round stove



### 產品性能 PRODUCT PERFORMANCE

Φ900圓形組合式爐具系列,是壹組具有較強人機親和介面的特色爐具,整體結構主爐具,輔助搭配橋板,醬料臺及扶手等配件組成。適合於酒店特色開放式廚房。主體爐具功能有:電磁(燃氣)炒爐、電熱(燃氣)蒸爐、電熱(燃氣)煮面爐、電熱(燃氣)湯鍋、電熱扒爐、電熱(燃氣)燒烤爐及電熱多功能爐等。搭配橋板可以設置協助工具,如電磁平頭爐、保溫板、冰盆及保溫湯池等。配置豐富,組合多洋。可以根據使用者的需求和使用習慣進行不同的選擇、搭配及組合。產品圍身根據餐廳的設計風格選擇不同的烤漆顏色

Φ900 circular stove series: Completely SS body structure which suitable for open kitchen and hotel.  
Accessory equipped with connection board,season board,handle for options.  
Mainly heating function can be designed induction (gas)cooking wok, electric (gas)steamer ,electric (gas) pasta cooker,electric (gas) kettle,electric griddle,electric (gas) grill etc.  
The connection board can be put induction open burner, warmer plate, ice bin,and Bain Marie.  
Multi function combination for options.  
Kinds of appearance painting color for options base on restaurant decoration type.



## Φ900圓形爐具系列 | SPECIALTY EQUIPMENT\_ Ø900 ROUND STOVE

### 產品特征 FEATURES

多檔位火力調節;自動無鍋檢測功能  
友好的人機界面,操作方便  
不銹鋼制造;360°無死角,便於清潔  
搭配橋板可以設置協助工具,如電磁平頭爐、保溫板、冰盆及保溫湯池等;配置豐富,組合多洋  
可以根據使用者的需求和使用習慣進行不同的選擇、搭配及組合;產品圍身根據餐廳的設計風格選擇不同的烤漆顏色

Completely SS body structure. Adjustable gradual model heating type with digital display.Equipped with no pot detection.The connection board can be put induction open burner, warmer plate, ice bin,and Bain Marie.  
Multi function combination for options.  
Kinds of appearance painting color for options base on restaurant decoration type.

### 圓形炒爐 ROUND INDUCTION WOK



型號 Model	D90-1EC-E
規格(mm) Specification (mm)	900(D)x900(H)
電功率 Electric power	15kW
電源 Power Supply	380V/50Hz
入水口 water inlet	Φ1/2" (DN15)鋼管或不銹鋼管
排水口 Outfall	Φ1-1/2" (DN40)



### 圓形蒸爐 ROUND STEAMER



型號 Model	D90-SC-E
規格(mm) Specification (mm)	900(D)x900(H)
電功率 Electric power	27kW
電源 Power Supply	380V/50Hz
入水口 water inlet	Φ1/2" (DN15)鋼管或不銹鋼管
排水口 Outfall	Φ1-1/2" (DN40)



產品特征  
FEATURES

多檔位火力調節60°C-350°C無極溫度調節  
自動超溫保護功能;友好的人機界面,操作方便  
不銹鋼製造;16mm度烙扒板;360°無死角,便於清潔  
搭配橋板可以設置協助工具,如電磁平頭爐、保溫板、冰盆及  
保溫湯池等;配置豐富,組合多洋  
可以根據使用者的需求和使用習慣進行不同的選擇、搭配及  
組合;產品圍身根據餐廳的設計風格選擇不同的烤漆顏色

Adjustable temperature range 60°C-350°C. Automatic over temperature protection. Completely SS body structure. 18mm heating board made by premium stainless steel and full welding with the worktop. The connection board can be put induction open burner, warmer plate, ice bin, and Bain Marie. Multi function combination for options. Kinds of appearance painting color for options base on restaurant decoration type.

圓形扒爐 ROUND GRIDDLE



型號 Model	D90-L1RG-E
規格(mm) Specification (mm)	900(D)x900(H)
電功率 Electric power	9kW
電源 Power Supply	380V/50Hz



圓形燒烤爐 ROUND GRIL



型號 Model	D90-LBS-E
規格(mm) Specification (mm)	900(D)x900(H)
電功率 Electric power	9kW
電源 Power Supply	380V/50Hz



產品特征  
FEATURES

多檔位火力調節60°C-350°C無極溫度調節  
自動超溫保護功能;友好的人機界面,操作方便  
不銹鋼製造;16mm度烙扒板;360°無死角,便於清潔  
搭配橋板可以設置協助工具,如電磁平頭爐、保溫板、冰盆及  
保溫湯池等;配置豐富,組合多洋  
可以根據使用者的需求和使用習慣進行不同的選擇、搭配及  
組合;產品圍身根據餐廳的設計風格選擇不同的烤漆顏色

Adjustable temperature range 60°C-350°C. Automatic over temperature protection. Completely SS body structure. 18mm heating board made by premium stainless steel and full welding with the worktop. The connection board can be put induction open burner, warmer plate, ice bin, and Bain Marie. Multi function combination for options. Kinds of appearance painting color for options base on restaurant decoration type.

圓形煮面爐 ROUND NOODLE BOILER



型號 Model	D90-PC-E
規格(mm) Specification (mm)	900(D)x900(H)
電功率 Electric power	9kW
電源 Power Supply	380V/50Hz
入水口 water inlet	Φ1/2" (DN15)鋼管或不銹鋼管
排水口 Water outlet	Φ1-1/2" (DN40)



圓形湯爐 ROUND SOUP POT



型號 Model	D90-SPC-E
規格(mm) Specification (mm)	900(D)x900(H)
電功率 Electric power	9kW
電源 Power Supply	380V/50Hz
入水口 water inlet	Φ1/2" (DN15)鋼管或不銹鋼管
排水口 Water outlet	Φ1-1/2" (DN40)



電熱系列 ELECTRIC SERIES

全不銹鋼機身結構  
 可調不銹鋼腳，放置平穩  
 採用SUS304#2.0mm厚工作臺面，整體衝壓成型  
 獨立控制加熱系統  
 EGO檔位開關，精確控制火力  
 設置不銹鋼鏈條燒烤架，燒烤網用Ø8鋼支持製  
 設有可放置1/3或1/6GN盆不銹鋼架  
 配置抽拉式活動的盛油盆，易於油脂收集及清潔  
 可以烹飪肉、雞、魚和蔬菜等

Completely SS body. One punched worktop with 2mm thickness.  
 Adjustable SS feet convenient for install.  
 EGO temperature control device. kinds of food can be cooked.  
 Equipped with SS chain and grid, The season box can be placed 1/3 or 1/6GN pan.  
 Equipped with drawer type grease tray and drainage hole, convenient for collected grease and easily clean.



燃氣系列 GAS SERIES

全不銹鋼機身結構  
 可調不銹鋼腳，放置平穩  
 採用SUS304#2.0mm厚工作臺面，整體衝壓成型  
 設置長明火種  
 配備安全制(熱電偶熄火保護裝置)  
 採用與安全制聯動，自動脈衝電子點火  
 多檔火力調節  
 設置不銹鋼鏈條燒烤架，燒烤網用Ø8鋼支持製  
 設有可放置1/3或1/6GN盆不銹鋼架  
 配置抽拉式活動的盛油盆，易於油脂收集及清潔  
 可以烹飪肉、雞、魚和蔬菜等

Completely SS body. One punched worktop with 2mm thickness.  
 Adjustable SS feet convenient for install.  
 Equipped with stand pilot and flame failure protection, automatic electronic pulse ignition, kinds of food can be cooked.  
 Equipped with SS chain and grid, The season box can be placed 1/3 or 1/6GN pan.  
 Equipped with drawer type grease tray and drainage hole, convenient for collected grease and easily clean.



炭烤系列 CHARCOAL SERIES

全不銹鋼機身結構  
 可調不銹鋼腳，放置平穩  
 設置不銹鋼鏈條燒烤架，燒烤網用Ø8鋼支持製  
 設有可放置1/3或1/6GN盆不銹鋼架  
 設置可調節風口  
 砌磚內膽  
 配置抽拉式活動的盛油盆，易於油脂收集及清潔  
 可以烹飪肉、雞、魚和蔬菜等

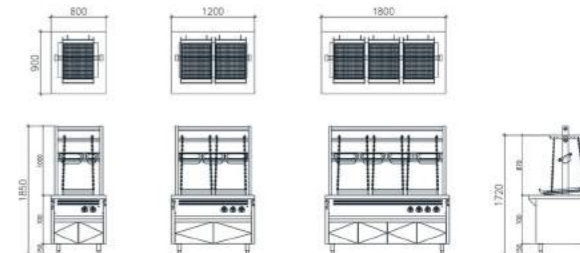
Completely SS body structure. Adjustable SS feet convenient for install.  
 Equipped with SS chain and grid, The season box can be placed 1/3 or 1/6GN pan. kinds of food can be cooked.  
 Equipped with adjustable fresh air window, Fire resisting bricks chamber  
 Equipped with drawer type grease tray and drainage hole, convenient for collected grease and easily clean.



產品特征 FEATURES

Markphili可提供壹系列鏈式燒烤爐，可根據需求選擇不同規格及能源，我們提供燃氣、電熱及碳燒等加熱方式；可以烹飪肉、雞、魚和蔬菜等；全不銹鋼機身結構，檯面304#不銹鋼2.0mm厚；設置不銹鋼鏈條燒烤架及不銹鋼GN盤架子；底部設置盛油盆。

Markphili can offer rang of chained barbecue grill. Different specifications and fuel type can be selected according to needs. kinds of food can be cooked. Completely SS body structure and 2mm worktop. Equipped with SS chain and grid and drawer type grease tray



電熱系列 ELECTRIC SERIES

產品名稱 Product name	型號 Model	規格(mm) Specification (mm)	電壓 Voltage	電功率 Electric Power	備註 Remarks
電熱鏈式燒烤爐 Electric Parrilla Grill	M-ABS8H-E	800x900x850+1850	380V	12kW	
電熱鏈式燒烤爐 Electric Parrilla Grill	M-ABS12H-E	1200x900x850+1850	380V	18kW	
電熱鏈式燒烤爐 Electric Parrilla Grill	M-ABS16H-E	1600x900x850+1850	380V	24kW	

燃氣系列 GAS SERIES

產品名稱 Product name	型號 Model	規格(mm) Specification (mm)	熱負荷 Gas Power	備註 Remarks
燃氣鏈式燒烤爐 Gas Parrilla Grill	M-ABS8H-G	800x900x850+1850	12kW	
燃氣鏈式燒烤爐 Gas Parrilla Grill	M-ABS12H-G	1200x900x850+1850	18kW	
燃氣鏈式燒烤爐 Gas Parrilla Grill	M-ABS16H-G	1600x900x850+1850	24kW	

炭熱系列 CHARCOAL SERIES

產品名稱 Product name	型號 Model	規格(mm) Specification (mm)	備註 Remarks
炭烤鏈式燒烤爐 Charcoal Parrilla Grill	M-ABS8H-C	800x900x850+1850	
炭烤鏈式燒烤爐 Charcoal Parrilla Grill	M-ABS12H-C	1200x900x850+1850	
炭烤鏈式燒烤爐 Charcoal Parrilla Grill	M-ABS16H-C	1600x900x850+1850	



# 升降燒烤爐系列

## LIFTING BBQ EQUIPMENT



升降燒烤架可以選擇通過電動或手動轉輪，渦輪桿與絲桿絲母的組合結構可以輕鬆拎起200kg的重物且具備自鎖定位，不會滑落。  
裝飾火焰是利用霞光的原理，燈光照在水霧上產生火苗燃燒的特效，安全無害，可以調節室內溫度，還可以添加精油，有香薰的作用。

The lifting grid can be selected electric driving or manual rotate, easily lift 200kg weight objects and set up self-locking device to prevent slide.  
Designed light decoration with strongly visual effect. Can be added essence oil for air fumigation.

### 旋轉烤雞爐 Rotisserie



### 產品特征 FEATURES

**碳熱：**  
活動炭盆，方便清潔和生火操作，設置可調節風門，控制火大小外爐膽設置保溫層及通風結構，避免爐體高溫

Charcoal:  
Equipped with removable charcoal pan, convenient for clean and ignition. Set up adjustable air window, warmer and ventilation device to avoid high temperature of the equipment body.

**電熱：**  
3組 每組3根1.5kw 840材質的燒烤爐專用發熱管，每組獨刀控制火力，底部密封，圓角圓邊燒烤盆，電磁閥自動補水，設置滿水口燒烤時下部的水可以起到隔熱和反射

Electric:  
Designed 3 group 840 material heating elements with independent control, 3\*1.5kw of per group. Equipped with heat reflect water pan and automatic filling water device.

**燃氣：**  
配備電磁安全置，壹鍵操作，自動脈沖點火，熄火閉閥時間1s，安全耐用盛油盆設置滿水口電磁閥自動補水，盛油盆水可以起到隔熱和反射熱量的作用爐頭防油汙堵塞，專用燒烤石，輻射效率高，耐用不易掉。

Gas:  
Equipped with safety device and One-button operation, electronic pulse ignition. As will be cut off in 1 second once flame failure. Equipped with heat reflect water pan, automatic filling water device.  
Durable lava stone with high radiation efficiency.

## 升降燒烤爐系列

## GRILL & BBQ EQUIPMENT\_ LIFTING BBQ

### 產品特征 FEATURES

通過升降燒烤架改變食物與火源的距離，可滿足不同的燒烤要求並且方便設備清潔。  
燒烤爐可以選擇用木炭、電或燃氣加熱。櫃體可以選擇不銹鋼原色或根據裝修需求選擇不用顏色的烤漆。櫃桶圓角圓邊方便清潔。櫃桶可選配暖碟櫃，雪櫃，垃圾桶等功能。配備醬料盒，方便使用，採用搪瓷烤網。

Adjustable distance between food and burner by lifting grid, satisfied with different cooking demand and convenient for clean.  
The below part could be designed freezer, trash bin, plate warmer and so on. The cabinet adopted round corner crafts, hygiene and convenient for clean.  
Gas, electric and charcoal heating type for options.  
Kinds of appearance painting color for options base on restaurant decoration type.  
Equipped with season box and enamel grid.

### 炭熱系列 CHARCOAL SERIES

產品名稱 Product name	型號 Model	規格(mm) Specification (mm)	電源 Power Supply	電功率 kW Electric Power	熱負荷kW Gas Power	進水口 Water Inlet	排水 Drainage	進氣口 Gas Inlet
炭熱輪式升降燒烤爐 Charcoal heating lifting charrilli	LBS-3C	1800x750x850						
炭熱電動升降燒烤爐 Charcoal heating charrilli (motor driving)	LBS-3CM	1800x750x850	220V/50H	0.1				
炭熱升降燒烤爐連裝飾火 Charcoal heating lifting charrilli with light decoration	LBS-3CF	1800x1050x850	220V/50H	0.4				
炭熱電動升降燒烤爐連裝飾火 Charcoal heating charrilli with light decoration (motor driving)	LBS-3CD	1800x1050x850	220V/50H	0.5				

### 電熱系列 ELECTRIC SERIES

產品名稱 Product name	型號 Model	規格(mm) Specification (mm)	電源 Power Supply	電功率 kW Electric Power	熱負荷kW Gas Power	進水口 Water Inlet	排水 Drainage	進氣口 Gas Inlet
電熱升降燒烤爐 Electricity heating lifting charrilli	LBS-3E	1800x750x850	380V/50Hz	18.25kW		DN15	DN40	DN20
電熱電動升降燒烤爐 Electricity heating charrilli (motor driving)	LBS-3EM	1800x750x850	380V/50Hz	18.25kW		DN15	DN40	DN20
電熱升降燒烤爐連裝飾火 Electricity heating lifting charrilli with light decoratio	LBS-3EF	1800x1050x850	380V/50Hz	18.27kW		DN15	DN40	DN20
電熱電動升降燒烤爐連裝飾火 Electricity heating charrilli with light decoration (motor driving)	LBS-3ED	1800x1050x850	380V/50Hz	18.27kW		DN15	DN40	DN20

### 燃氣系列 GAS SERIES

產品名稱 Product name	型號 Model	規格(mm) Specification (mm)	電源 Power Supply	電功率 kW Electric Power	熱負荷kW Gas Power	進水口 Water Inlet	排水 Drainage	進氣口 Gas Inlet
燃氣升降燒烤爐 Gas heating lifting charrilli	LBS-3G	1800x750x850	220V/50Hz	0.02	27	DN15	DN40	DN20
燃氣電動升降燒烤爐 Gas heating charrilli (motor driving)	LBS-3GM	1800x750x850	220V/50Hz	0.27	27	DN15	DN40	DN20
燃氣電動升降燒烤爐連裝飾火 Gas heating lifting charrilli with light decoration	LBS-3GF	1800x1050x850	220V/50Hz	0.02	27	DN15	DN40	DN20
燃氣電動升降燒烤爐連裝飾火 Gas heating charrilli with light decoration (motor driving)	LBS-3GD	1800x1050x850	220V/50Hz	0.27	27	DN15	DN40	DN20

# 頂火燒烤爐系列

## TOP FIRED BROILER



MarkPhili頂火燒烤爐系列適用於各種燒烤食物的製作,有電熱和燃氣加熱兩種方式可選;此類燒烤爐主要是通過熱紅外線爐頭對食物表面進行加熱,這種設計能有效避免燒烤油渣與火接觸燃燒產生有害物質,同時保持食物的鮮味;配重升降架,輕鬆調節面火板與加熱食物之間的距離,確保食材的燒烤品質;設置抽拉式燒烤架,方便取放食物。

Top heating BBQ series suitable for cooking kinds of food. Gas and electric heating for options.  
This grill adopted electric or gas infrared burner to heat up food. This design can be avoided grease mix with fire to generating harmful substances which keep the food safe and fresh.  
Equipped with lifting grid, easily adjust the distance between food and burner, ensuring the food roasted quality.  
Equipped With Pull-out shelves, convenient for take away food.

### 頂火燒烤爐系列

### GRILL & BBQ EQUIPMENT\_ TOP FIRED BROILER

#### 产品特点 FEATURES

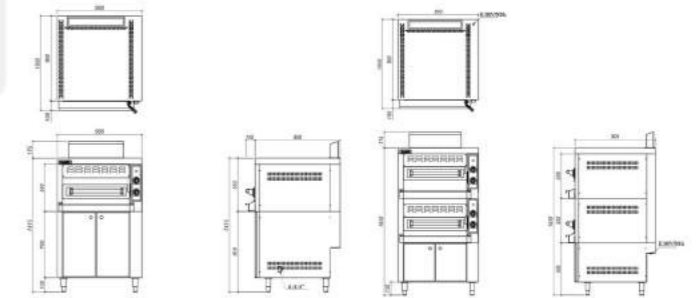
电热型:採用優質紅外線發熱管,高效能發熱  
燃氣型:採用陶瓷板紅外線燃燒器;使用爐火開關連安全制控制,設置常明火種,安全制熄火保護,自動脈衝電子點火

Electric heating type: high quality infrared heating tube, high heating efficiency  
Gas type: adopt ceramic plate infrared burner; set up stand pilot fire, gas safety device, flame failure protection, automatic pulse electronic ignition

#### 電熱頂火燒烤爐 ELECTRIC TOP FIRED BROILER

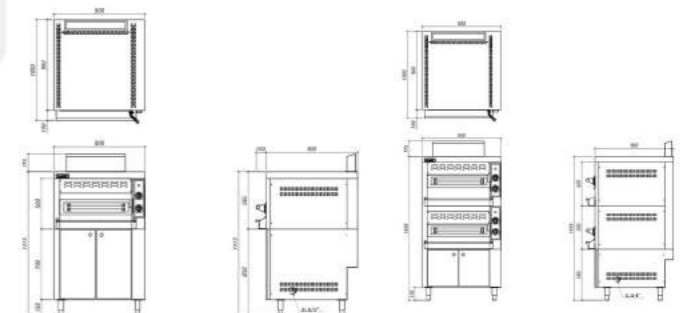


型號 Model	M-LMK1-E	M-LMK2-E
規格(mm) Specification (mm)	900x900+100x1415+175	900x900+100x1650+175
電功率 Electric power	12kW	24kW
電壓 Voltage	380V/3N~	380V/3N~
熱負荷 Gas Power		



#### 燃氣頂火燒烤爐 GAS TOP FIRED BROILER

型號 Model	M-LMK1-G	M-LMK2-G
規格(mm) Specification (mm)	900x900+100x1415+175	900x900+100x1650+175
電功率 Electric power	-	-
電壓 Voltage	-	-
熱負荷 Gas Power	18kW	36kW



# 巴西燒烤爐系列

## BRAZILIAN BBQ EQUIPMENT



### 產品性能 Product performance

- 全不銹鋼機身結構
- 可調不銹鋼腳，放置平穩
- 耐火不銹鋼反熱板加熱，加熱速度快，火力調節反應快
- 獨特的可調角度耐火鑄鐵搪瓷燒烤架，防止燒烤殘油汙染食物
- 配置抽拉式活動的盛油盆，易於油脂收集及清潔
- 雙層烤叉，帶自動旋轉
- 設置長明火種
- 配備安全制(熱電偶熄火保護裝置)
- 採用與安全制聯動，自動脈衝電子點火
- 安裝時需預留220V/50Hz/110W用電，供電機使用
- 可根據需求選擇不能規格及能源，我們提供燃氣、電熱及碳燒等加熱方式；可以烹飪肉、雞、魚

Completely SS body structure Adjustable SS feet convenient for install.  
 Adopted premium heating elements, multi heating power for options.  
 Adopted adjustable angle cast iron grid to prevent the grease polluting the food.  
 Equipped with drawer type grease tray and drainage hole, convenient for collected grease and easily clean.  
 Double row fork design with automatic rotated.  
 Equipped with stand pilot and safety device. (thermocouple flame failure protection) Automatic pulse electronic ignition. reserved 220 /110v 50 Hz power supply for motor during installation  
 Provide gas, electric, charcoal heating type for options. kinds of food can be cooked.



### 巴西燒烤爐系列

### GRILL & BBQ EQUIPMENT\_BRAZILIAN BBQ

#### 產品特征 FEATURES

電熱型：  
通過發熱管傳達熱量 多檔火力控制調節  
燃氣型：  
設置常明火種；  
配備安全制(熱電偶熄火保護裝置)  
採用與安全制聯動 自動脈衝電子點火  
安裝時需要預留220V/50Hz/110W用電，供電機使用

Electric type: adopted premium heating elements. multi point control heating power.  
 Gas type: equipped with stand pilot and safety device (thermocouple flame failure protection). Automatic pulse electronic ignition. reserved 220 /110v 50 Hz power supply for motor during installation.

#### 巴西燒烤爐 Brazilian barbecue

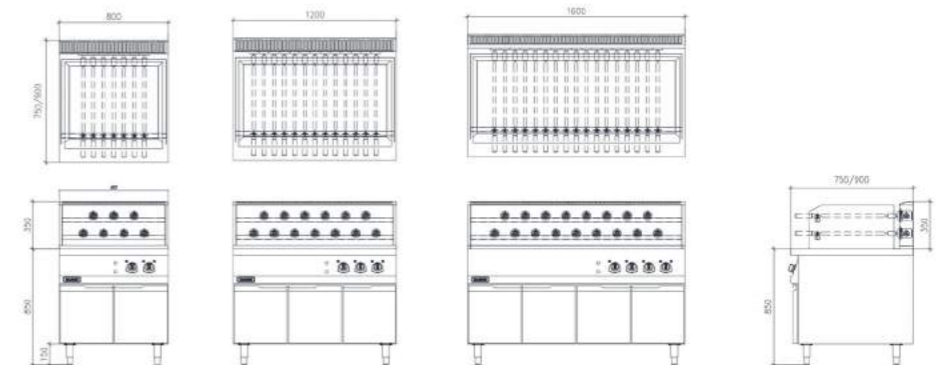


#### 電熱系列 ELECTRIC SERIES

型號 Model	規格(mm) Specification (mm)	耗電量 Power consumption	電功率 Electric Power	容量 Capacity
M-LBBS8N-E	800x750x850+350	380V	12kW	7支燒烤叉
M-LBBS12N-E	1200x750x850+350	380V	18kW	13支燒烤叉
M-LBBS16N-E	1600x750x850+350	380V	24kW	17支燒烤叉
M-LBBS8H-E	800x900x850+350	380V	12kW	7支燒烤叉
M-LBBS12H-E	1200x900x850+350	380V	18kW	13支燒烤叉
M-LBBS16H-E	1600x900x850+350	380V	24kW	17支燒烤叉

#### 燃氣系列 GAS SERIES

型號 Model	規格(mm) Specification (mm)	耗電量 Power consumption	熱負荷 Gas Power	容量 Capacity
M-LBBS8N-G	800x750x850+350	220V/0.2kW	14kW	7支燒烤叉
M-LBBS12N-G	1200x750x850+350	220V/0.2kW	21kW	13支燒烤叉
M-LBBS16N-G	1600x750x850+350	220V/0.2kW	24kW	17支燒烤叉
M-LBBS8H-G	800x900x850+350	220V/0.2kW	18kW	7支燒烤叉
M-LBBS12H-G	1200x900x850+350	220V/0.2kW	27kW	13支燒烤叉
M-LBBS16H-G	1600x900x850+350	220V/0.2kW	36kW	17支燒烤叉



# 法式烤雞爐

## ROTISSERIE



### 產品特征 FEATURES

#### 燃氣:

點火: 脈沖電子點火;  
 熄火保護: 爐火開關連安全制, 設置長明火種;  
 其他: 電動旋轉鏈式烤叉機構, 電機功率0.2KW/380V/50Hz

#### Gas:

Ignition: Electronic pulse ignition  
 Safety device: Set up stand pilot fire, gas safety device with flame failure protection  
 Others: Electric rotate chain fork structure, motor power: 0.2KW /380v/50HZ

#### 電熱:

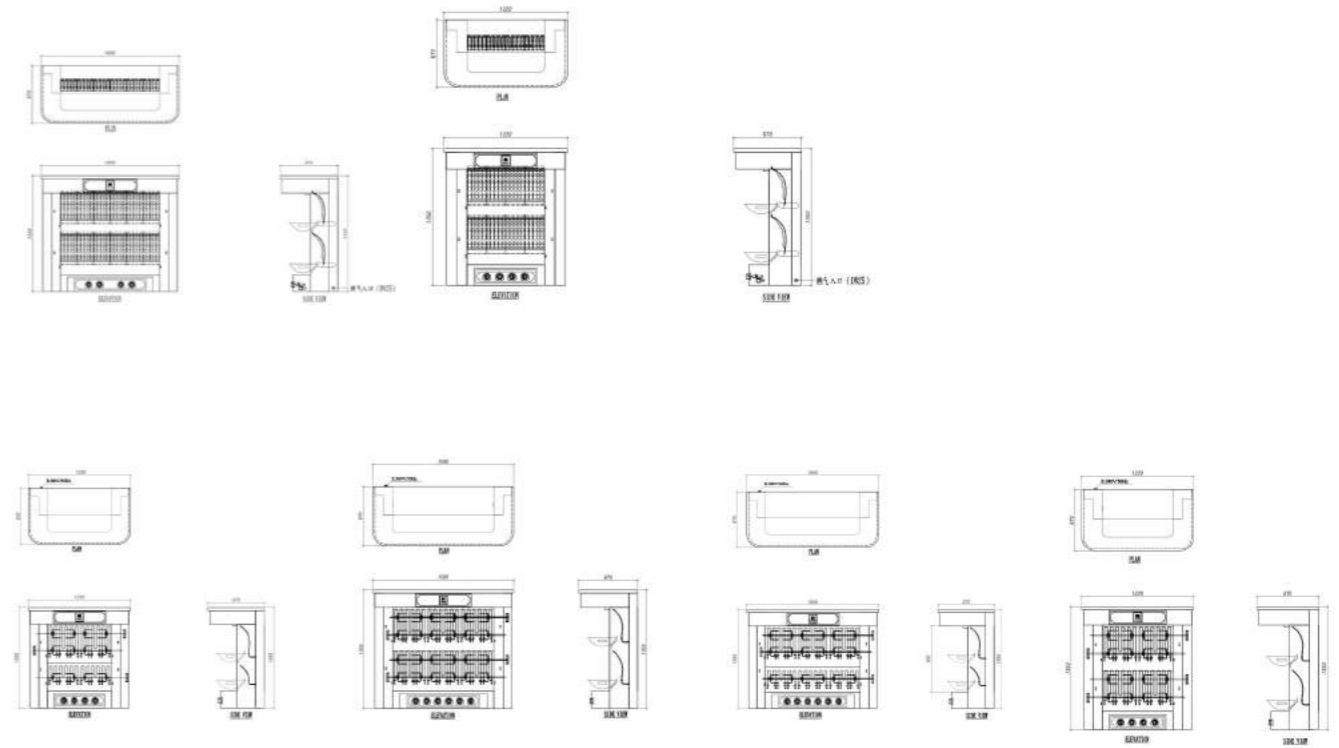
說明: 每組三根840材質的燒烤用發熱管, 每組獨立控制火力;  
 其他: 電動旋轉鏈式烤叉機構。  
 熱量的作用發熱管翻起設計方便清潔水盆

#### Electric:

Heating elements: Designed 3 group 840 material heating elements with independent control  
 Others: Electric rotate chain fork structure

### 法式烤雞爐系列

### | ROTISSERIE RANGE



#### 電熱法式燒雞爐(臺式) COUNTERTOP ELECTRIC ROTISSERIE

型號 Model	規格(mm) Specification (mm)	電功率 Electric Power	電源 Power Supply
MK-FDC21E	1220x670x1350	(0.75+1.4)kw*6+0.2kw=13.1kw	380V/50Hz
MK-FDC22E	1600x670x1200	1.4kw*12+0.2kw=17kw	380V/50Hz
MK-FDC31E	1600x670x1200	(0.75+1.4)kw*9+0.2kw=19.55kw	380V/50Hz
MK-FDC32E	1600x674x1350	1.4kw*18+0.2kw=25.4kw	380V/50Hz

#### 燃氣法式燒雞爐(臺式) COUNTERTOP GAS ROTISSERIE

型號 Model	規格(mm) Specification (mm)	熱負荷 Gas Power	進氣口 Gas inlet
MK-FDC22G	1220x670x1350	32kW	φ1"(DN25) (可選擇左或右入氣)
MK-FDC32G	1600x670x1350	48kW	φ1"(DN25) (可選擇左或右入氣)

# 炭熱升降燒烤爐系列

## CARBON LIFTING GRILL RANGE



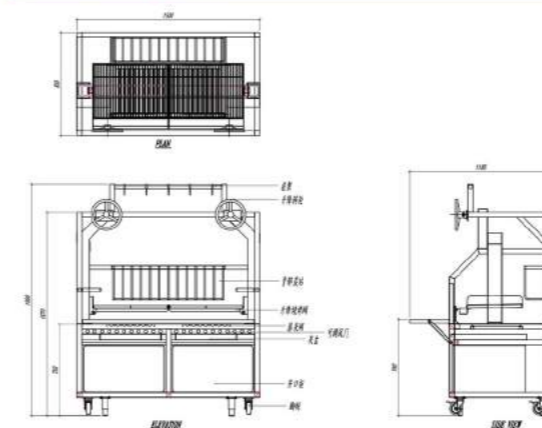
## 炭熱升降燒烤爐系列 | CARBON LIFTING GRILL RANGE

### 產品特征 FEATURES

使用300\*450燒烤架二塊,可調整高度420。  
背部設置燒炭框,多方位加熱;  
底部設置可調節風門,控制火大小;  
內壁設置高輻射率耐火材料,提高加熱效率和保溫;  
前部可收起擋門,使用時放下可做操作平臺;  
設置開口櫃,可用於放置木炭。  
配移動輪腳,方便搬運。  
室內使用需要配備防火排煙罩(運水煙罩)。

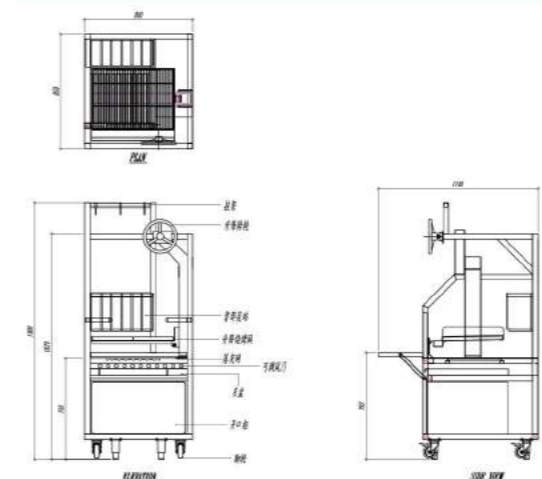
Using 4 pieces of 300\*450 grilling racks, adjustable up to 420mm high.  
Vertical back panel with charcoal burning space, thus heating vertically too.  
Bottom design with adjustable air circulation window, charcoal burning is controllable.  
Inner wall equipped with high temperature resistance material that improves heating and warming effect.  
Front cover board is multi-purpose: vertical position as protection, horizontal as working top.  
Open cabinet below used for charcoal storage.  
Optional with castor wheels for mobile operation.  
We recommend to have water mist / hydro type of ventilation hood above this grill.

### 炭熱升降燒烤爐 CARBON LIFTING GRILL



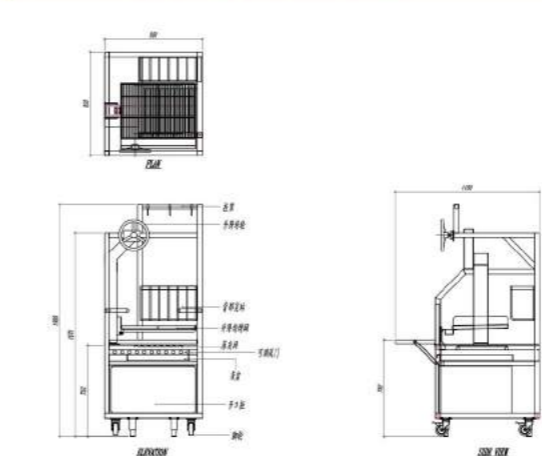
型號 Model	CLC-4
規格(mm) Specification (mm)	1500x850x1900
備註 Remarks	

### 炭熱升降燒烤爐 CARBON LIFTING GRILL



型號 Model	CLC-2R
規格(mm) Specification (mm)	800x850x1900
備註 Remarks	

### 炭熱升降燒烤爐 CARBON LIFTING GRILL



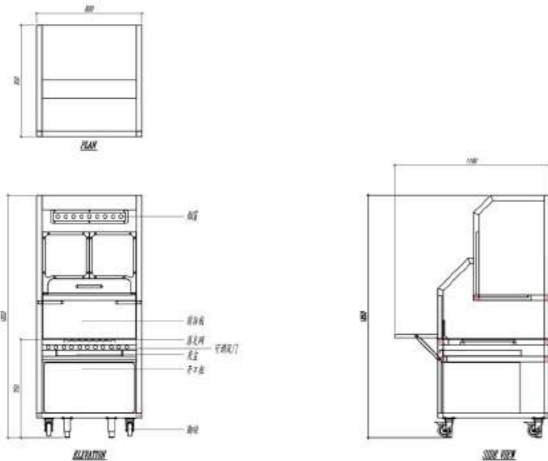
型號 Model	CLC-2L
規格(mm) Specification (mm)	800x850x1900
備註 Remarks	

產品特征  
FEATURES

箱體耐火內層，頂部設置掛桿，耐火石板底，可用於烤披薩，烤面包，燒臘，熏肉等。  
頂部設置可調排煙門。  
底部設置可調節風門，控制火大小；  
內壁設置高輻射率耐火材料，提高加熱效率和保溫；  
前部可收起擋門，使用時放下可做操作平臺；  
設置開口櫃，可用於放置木炭。  
配移動輪腳，方便搬運。

Refractory grill inner layer, the top set with column, bottom install refractory slabstone, which can be used for baking pizza, bread, wax, bacon, etc. Top with adjustable smoketack.  
Vertical back panel with charcoal burning space, thus heating vertically too. Bottom design with adjustable air circulation window, charcoal burning is controllable.  
Inner wall equipped with high temperature resistance material that improves heating and warming effect.  
Front cover board is multi-purpose: vertical position as protection, horizontal as working top.  
Open cabinet below used for charcoal storage.  
Optional with castor wheels for mobile operation.  
We recommend to have water mist / hydro type of ventilation hood above this grill.

炭燒多用途烤箱 CARBON FUNCTIONAL GRILL



型號 Model	FCO-80
規格(mm) Specification (mm)	800x850x1850
備註 Remarks	

產品概述 PRODUCT OVERVIEW

1 烤箱  
機身全304不銹鋼結構，防水、防潮。警告：千萬不要讓火焰的高度超過烤架的高度！  
Oven  
Completely SS 304 stainless steel structure, water proof and moisture-proof.  
Remark: the flame height should be lower than grid height

2 燒烤站  
每壹個框架帶兩個可互換的烤架。熱度是由烤架表面高度調節。通過手輪操作  
Barbecue device  
Each barbecue module frame equipped with two pcs removable grid, the heating temperature control by manual adjust the grid height.

3 層架  
在每個燒烤站上都固定帶有休息架，用於擱置物品  
Shelf  
Each barbecue module equipped with fixed shelf, the shelf used for placed some items.

4 燒烤站防火桶  
每個燒烤站都有自己的櫃桶。可以用來攔放額外的燃料（木炭木柴）  
Barbecue flame shield  
Each barbecue stove has owned flame shield, used for place additional fuel (charcoal or wood)

5 抽拉  
每個燒烤站都在底部中嵌入了壹個抽拉灰門。確保灰燼安全地掉進下面的灰門抽屜。滿的時候，灰門可以抽出來，方便排空。  
Ash tray  
Equipped with drawer type ash tray in the bottom of per BBQ stove, ensuring the ashes completely dropped in the tray. The tray can be pull-out for clean when full with ashes.

6 爐腔  
設計是為了給廚師提供盡可能大的烘焙的地方。非常適合鍋具放置或直接燒烤。壹扇下拉門系在壁爐前，關閉時，提供額外的熱保護。當打開門時，可以作為壹個長的操作臺。注意在關上門之前，確保鉸鏈區域乾淨。  
Chamber  
This designed is provide as much baking space as possible for chefs, and also very suitable for placed cooking pot or roasting directly. Equipped with movable door in front of the chamber, used for provided the heating protection when closed and also as the work table when opened. Please ensure the hinge is clean before close.

7 下拉門和工作臺  
下拉門在烤箱升溫或者不使用時，門關閉，使用時門下拉成為操作平臺，用於防止燒烤物品  
The sliding door and work table  
The sliding door will be closed when heating up process or no running, the sliding door as the work table to prevent over heating food when equipment running.

特征

- 全不銹鋼機身結構，防水、防潮  
All stainless steel body structure, waterproof, moisture proof
- 現場安裝可調不銹鋼腳，放置平穩  
Adjustable SS feet convenient for install.
- 可以將所有的電氣和燃氣單獨組裝  
Independent gas control box and electric control box.
- 單個部件可更換  
Replaceable single part
- 安裝和維護成本最低  
Lower installation and maintenance costing
- 設計不必要的拐角和接縫易於清潔  
Without needless corners and seams design, convenient for clean.
- 嵌入式連接技術  
Built-in type connection technology
- 高性能高可靠性  
High performance and reliability
- 獨特的安裝橋接和掛鉤設計  
Unique installation design and hook design



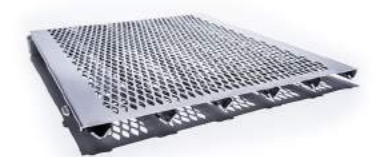
獨立防火籠  
Independent fire cage



燒烤架 / 燒烤爪  
GRILL FORK



六角棒烹飪組  
cooking grid group



篩分蒸煮表面剖面  
sieve net with holder



豪華家用壹體爐將商用的元素融入家用廚房，以其布局美觀，空間緊湊，流程合理，顏色及造型適合家用裝修的風格。同時需要考慮噪音小，安全性高，易清潔，易維護的功能設備及設計。

The luxurious household integrated stove integrates commercial elements into the household kitchen, with beautiful layout, compact space, reasonable process, color and shape suitable for the style of household decoration. At the same time, it is necessary to consider the functional equipment and design with low noise, high safety, easy cleaning and maintenance.

## 豪華家用壹體爐具

Luxury Household Monoblock Cooking Suite



<b>工程案例-國內</b>
<b>Project Refefences--China Mainland</b>
<p><b>萬豪國際集團</b>Marriott Hotel management Group</p> <p>海口天利萬豪酒店Marriott Haikou Hotel</p> <p>上海雅居樂萬豪酒店 Shanghai Marriott Hotel City Centre</p> <p>杭州臨安萬豪酒店 Hangzhou Linan Marriott Hotel</p> <p>包頭萬豪 Marriott Baotou Hotel</p> <p>長沙步步高福朋喜來登酒店 Four Points By Sheraton Changsha, Hi-Tech Zone</p> <p>深圳空港同泰萬怡酒店 Courtyard by Marriott Shenzhen</p> <p>杭州濱江世融艾美酒店 Le Meridien Hangzhou Binjiang</p> <p>廣州南沙喜來登酒店 Sheraton Hotel Guangzhou Nansha</p> <p>上海佘山世茂艾美酒店 Le Meridien She Shan Shanghai</p> <p>深圳大中華喜來登酒店 Sheraton Hotel Shenzhen Futian</p> <p>成都蒲江花樣年福朋喜來登酒店 Four Points Sheraton Chengdu Pujiang Resort</p> <p>杭州銀泰喜來登酒店 Sheraton Hotel Grand Hangzhou Binjiang Hotel</p> <p>長春福朋喜來登 Four Points By Sheraton Changchun</p>
<p><b>洲際國際酒店集團</b> IHG Hotel Management Group</p> <p>南通濱江洲際酒店 InterContinental Hotel Nantong</p> <p>貴州洲際酒店InterContinental Guiyang</p> <p>青島東方影城萬達皇冠假日酒 Wanda Crowne Plaza Qingdao</p> <p>西寧假日酒店 Holiday Inn hotel Xining</p> <p>浙江烏鎮度假酒店 Zhejiang Wuzhen Resorts</p> <p>陽江中心華邑酒店 Hualuxe Yangjiang City Center</p> <p>成都溫江皇冠假日酒店 Crowne Plaza Chengdu Wenjiang</p> <p>寶雞皇冠假日酒店 Crowne Plaza Baoji</p> <p>香河三田雍泓假日酒店 Holiday Inn Langfang Xianghe</p> <p>涿源華中假日酒店 Holiday Inn Laiyuan</p> <p>張家口假日酒店 Holiday Inn Resort Zhangjiakou</p> <p>惠州金海灣陽光假日酒店 Huizhou Jinhai Bay Sunshing Holiday inn</p> <p>廣州南湖假日 Holiday Inn Guangzhou South Lake</p> <p>寶雞太白假日酒店Holidayinn Taibai, Baoji Hotel</p>

<p><b>希爾頓國際酒店集團</b> Hilton Hotel Management Group</p> <p>江蘇常州武進區希爾頓酒店 Hilton Hotel Changzhou</p> <p>成都百悅希爾頓逸林酒店 Double Tree by Hilton Chengdu</p> <p>惠東逸林希爾頓 DoubleTree by Hilton Huidong Resort</p> <p>上海靜安希爾頓 Double Tree by Hilton Shanghai Jing'an</p> <p>遵義希爾頓逸林酒店 Double Tree by Hilton Zunyi</p> <p>海南橙邁希爾頓逸林酒店 DoubleTree by Hilton Hainan – Chengmai</p> <p>西安希爾頓花園酒店 Hilton Garden Inn Xian</p> <p>河源匯景希爾頓逸林酒店The DoubleTree by Hilton Heyuan</p> <p>保利金町灣希爾頓酒店DoubleTree by Hilton Shanwei</p>
---

<p><b>溫德姆酒店集團</b> Wyndham Hotel Management Group</p> <p>長沙紫鑫戴斯大酒店 Zixin Day’ s Hotel Changsha</p> <p>惠州雙月灣溫德姆至尊豪庭度假酒店 Wyndham Grand Plaza Royal Shuangyue Bay Huizhou</p> <p>寧波奉化華僑豪生大酒店 Howard Johnson Plaza Ningbo</p> <p>福建漳州溫德姆酒店Wyndham Grand Plaza Royale Mingfa Zhangzhou</p> <p>西安溫德姆Wyndham Hotel Xi’ an</p> <p>無錫溫德姆豪庭酒店Wyndham Grand Plaza Royale Wuxi</p>
---

<p><b>雅高酒店集團</b> Accor Hotel Management Group</p> <p>成都索菲特 Sofitel Hotel Chengdu</p> <p>鄭州索菲特國際酒店 Sofitel International Hotel Zhengzhou</p> <p>遼寧盤錦東方銀座鉑爾曼酒店 Pullman Panjin Oriental Ginza</p> <p>上海鉑爾曼酒店 Pullman Hotel Shanghai</p> <p>福州泰禾鉑爾曼酒店 Pullman Hotel Fuzhou Taihe</p> <p>長白山鉑爾曼 Pullman Hotel Chuangbai Mountain</p>
---

<p><b>卡爾森瑞德酒店集團</b> Carlson Hotel management Group</p> <p>鄭州麗笙酒店 Radisson Hotel Zhengzhou</p> <p>杭州博地中心麗筠酒店 Radisson Hangzhou</p> <p>蘇州正和麗筠酒店 Radisson Hotel Suzhou</p>
---

<p><b>香格裏拉酒店集團</b> Shangri-La Hotel management Group</p> <p>海口香格裏拉酒店 Shangri-La Hotel Haikou</p> <p>哈爾濱香格裏拉酒店 Shangri-La Hotel Harbin</p> <p>上海香格裏拉 Shangri-La Hotel Shanghai</p> <p>大連香格裏拉 Shangri-La Hotel Dalian</p>
---

<p><b>主題公園</b> Theme park</p> <p>西雙版納萬達主題公園 XiShuangBanna Wanda Theme Park</p> <p>哈爾濱萬達主題樂園 Harbin Wanda Theme Park</p> <p>新疆烏魯木齊萬達文華酒店 Urumqi Wanda Vista Hotel</p> <p>青島東方影都萬達會議中心 Qingdao Oriental Movie Metropolis Wanda Convention Center</p> <p>哈爾濱萬達主題樂園 Harbin Wanda Theme Park</p> <p>昆明七彩雲南歡樂世界 Colorful Yunna Paradise</p> <p>江西南昌萬達遊樂園Colorful Yunna Paradise</p>
---

<p><b>學校</b> Education</p> <p>深圳南方科技大學 Southern University of Science and Technology</p> <p>北京航空航天大學 Beijing University of Aeronautics and Astronautics</p> <p>上海科技大學 Shanghai University</p> <p>杭州中策烘焙學校 Hangzhou Zhongce Vocational School</p> <p>訊得達國際書院 Sendelta International Academy</p> <p>浙江師範大學 Zhejiang Normal University</p> <p>南京旅遊學院 Nanjing institute of tourism and hospitality</p> <p>上海中華職業學校 Shanghai Zhonghua College</p> <p>曼徹斯通國際學校Shenzhen Merchiston Castle School</p> <p>深圳中澳實驗學校Shenzhen Arcadia Grammar School</p> <p>三亞海外國際交流中心International Exchange Center of Sanya</p> <p>河南大學國際學術交中心International Exchange Center of Henan University</p> <p>浙江旅遊學校 ZheJiang nstitute of tourism and hospitality</p>
---

<p><b>醫院</b> Hospital</p> <p>深圳南方科技大學Southern University of Science and Technology</p> <p>中山第八附屬醫院The Eighth Affiliated Hospital,Sun Yat-Sen University</p> <p>雲南省第壹人民醫院The First People’ s Hospital of Yunnan Province</p> <p>合肥京東方醫院 Hefei BOE Hospital</p> <p>深圳荷坳腫瘤醫院 Shenzhen Heao Oncology Hospital</p>
---

<p><b>銀行</b>Bank</p> <p>深圳微眾銀行1 Wezhong bank Shenzhen</p> <p>海南銀行 Bank of Hainan</p> <p>興業銀行Industrial Bank Co.Ltd</p> <p>鹿城農商銀行 Lucheng Rural Commercial Bank</p> <p>中信銀行大廈China Citic Bank Plaza</p> <p>北京工商銀行ICBC Beijing Branch</p>
---

<p><b>政府企事業</b> Organization</p> <p>中國人民大會堂 Great Hall of the people of China</p> <p>杭州 G20 峰會會議中心 Hangzhou G20 Convention Center</p> <p>中國國家安全局 National security bureau of China</p> <p>北京城市副中心 Beijing city sub-center</p> <p>北京騰訊 Beijing Tencent Staff Canteen</p> <p>深圳騰訊 Shenzheng Tencent Staff Canteen</p> <p>深圳證券交易所深業中心大廈 Shenzhen Security Exchanger Sheny Center Plaza</p> <p>聯想總部 Lenovo Headquarter</p> <p>深圳華為基地 Huawei Group Shenzhen</p> <p>深圳中廣核大廈CGN Group Plaza Shenzhen</p> <p>上海谷歌Google Shanghai Staff Canteen</p>
--

<p><b>工程案例-国外</b></p> <p>Project Refefences-Overseas Market</p>
---

<p><b>新加坡</b> Singapore</p> <p>新加坡方豪 Singapore Court yard Marriott</p>
--

<p><b>马来西亚</b>Malaysia</p> <p>馬來西亞吉隆坡魯馬酒店 Ruma Hotel – Kuala Lumpur</p> <p>馬來西亞吉隆坡貴都大酒店 Hotel Equatorial Kuala Lumpur, Malaysia</p> <p>馬來西亞吉隆坡亞歷克西斯 Alexis Mesui</p> <p>馬來西亞吉隆坡市中心鉑爾曼 Pullman KLCC</p> <p>馬六甲馬六甲萬怡酒店 Marriott courtyard Malacca</p> <p>馬來西亞迪沙魯安納塔拉 Anantara Desaru</p> <p>馬來西亞檳城希爾頓 Malaysia Penang Hilton</p> <p>馬來西亞柔佛巴魯假日酒店 Holiday In JB</p> <p>馬來西亞綠地鉑派酒店 Greenland Platinum Hotel . MALAYSIA</p> <p>沙巴國際會議中心 SABAH INTERNATIONAL CONVENTION CENTRE(SICC), Sabah.</p> <p>檳城香料酒店SPICE Hotel (Penang Kuala Lumpur Eco City Hotel)Malaysia</p> <p>蘭卡威皇家公園 PARKROYAL LANGKAWI</p> <p>馬來西亞科帕高爾夫俱樂部 KGPA GolfClub</p> <p>吉隆坡皇冠假日酒店 Crowne Plaza KL</p> <p>馬來西亞吉隆坡生態城酒店 ECO CITY HOTEL, KUALA LUMPUR, MALAYSIA</p> <p>阿裏拉度假勝地沙巴 Alila Resort, Sabah</p>
---

<p><b>印尼</b>Indonesia</p> <p>印尼日惹萬豪 Marriott Yogya Indonesia</p> <p>印尼巴達維亞美居酒店（雅高） Mercure Batavia Indonesia</p> <p>巴厘島四季酒店 Four seasons Bali Island</p> <p>印尼麗笙楠榜 Radisson Lampung Indonesia</p> <p>印尼蓋亞酒店 Gaia Hotel Bandung Indonesia</p> <p>色達酒店 SEDA Hotel</p> <p>印尼吉林崗維斯貝爾酒店 Swisbell Hotel – Giligan Surakarta</p> <p>雅加達柏悅酒店 Park Hyatt Jakarta</p> <p>萬隆鉑爾曼 Pullman Bandung</p> <p>印尼高知芝卡朗酒店Kagumi Hotel Cikarang ( Grand Classic HotelCikarang)</p>
---

<p><b>緬甸</b>Myanmar</p> <p>緬甸內比都 TGPR Hotel (Nay Pyi Taw)</p> <p>緬甸仰光英國學校 Yangon British school</p> <p>緬甸泛太平洋酒店 Pan Pacific Hotel Yangon</p> <p>緬甸薩爾溫江大酒店 Yangon Thanlwin Hotel</p> <p>緬甸知萊酒店 ZEALAX Hotel</p>
--

<p><b>菲律賓</b>Philippines</p> <p>菲律賓假日酒店 Holiday INN</p> <p>菲律賓達沃都喜酒店 Dusit Thani Davao Hotel</p> <p>菲律賓 雙子湖 Twin Lakes</p> <p>菲律賓奧科達 Okada</p> <p>菲律賓旗艦酒店 Admiral Hotel</p> <p>菲律賓傑西主廚 Chef Jessie</p> <p>菲律賓威斯汀索納塔 WESTIN SONATA</p>
---

<p><b>孟加拉國</b>Bangladesh</p> <p>孟加拉國喜來登Bangladesh 4 Point Sheraton</p> <p>孟加拉國長灘酒店 Bangladesh Long Beach Hotel</p>
--

<p><b>沙特</b>Saudi Arabia</p> <p>沙特阿拉伯夏爾馬 Saudi Arabia Sharma complex</p> <p>迪沙魯安納塔拉 Anantara Desaru</p> <p>沙特麥加薩克中心酒店 Takher City Center Hotel Mekka</p>
--

<p><b>加拿大</b>Canada</p> <p>加拿大嘉源溫市餐館 Van's Food</p>
---

<p><b>泰國</b>Thailand</p> <p>泰國曼谷凱賓斯基酒店 Kempinsky Hotel Bangkok</p>
--

<p><b>馬爾代夫</b> Maldives</p> <p>馬爾代夫麗笙酒店 Maldives Radisson</p>
---

<p><b>越南</b> Viet Nam</p> <p>越南佩裏多恩酒店(DELANO) PR 2490 Peridot HN Hotel ( Delano ) PR 2490</p> <p>越南海洋納美酒店 Ocean Nami</p> <p>越南阿基拉萬豪酒店 Akira Marriot Hotel VN</p> <p>越南溫康洪武紅 Vincom Hung Vuong Hue</p> <p>越南溫康哈蘭酒店 VINCOM HÀ NAM Holiday Inn Hotel</p> <p>越南溫康蘭桑度假酒店 VINCOM Lang Son Resort Hotel</p> <p>越南金蘭蓮花酒店 Lotus Hotel Cam Ranh</p> <p>越南錢先生西餐館 Mr. Chien Western Restaurant Hanoi</p> <p>越南塞多納 SEDONA SUITE</p> <p>越南三星傳奇山 LEGEND HILL SOC SON</p> <p>越南吉婆島日出酒店 CAT BA Sunrise Hotel</p> <p>越南HP唯美克 VINMEX HP</p> <p>越南桑三酒店 Sam Son hotel</p> <p>越南唯美克斯酒店 Vietnam Vinmex</p> <p>越南安納塔拉酒店 ANANTARA Hotel VN</p> <p>越南酒鏈連鎖餐廳 Wine Link Chain Restaurants</p> <p>越南胡誌明索菲特酒店 Vietnam Sofitel Ho Chi Minh</p> <p>越南巴拿山法國餐廳 Vietnam Bana Hills Frence Village</p> <p>越南富國萬豪 Vietnam Jw Marriott Phu Quoc</p> <p>越南南西美南丁 Nacimex Nam dinh</p> <p>越南哈龍FLC FLC Ha Long</p> <p>越南富國S29酒店 S29 Hotel Phu Quoc</p> <p>越南芽莊凱悅酒店 HYATT REGENCY Hotel Nha Trang</p> <p>越南漢娜酒店 HNA Hotel VN</p> <p>越南碧維斯酒店 Bvis Hotel VN</p> <p>越南金蘭機場 Cam Ranh Airport VN</p> <p>越南諾佰機場 Noi Bai Airport, VN</p> <p>越南芽莊度假酒店 Nha Trang Resort Hotel, VN</p> <p>越南純果樂鄉村高爾夫度假村TROPICANA COLF&amp;COUNTRY RESORT</p> <p>越南諾富特酒店 NOVOTEL Hotel SHN PP</p> <p>越南富國鉑爾曼酒店 Pullman Hotel Phu Quoc</p> <p>越南愛爾瑪天堂度假酒店 ALMA RESORT HOTEL</p>
--



